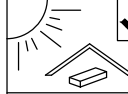




SOFT, DRY CLOTH



CHEMICAL



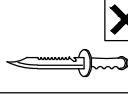
HEAT



KEEP DRY



HANDLE WITH CARE



DO NOT USE KNIFE

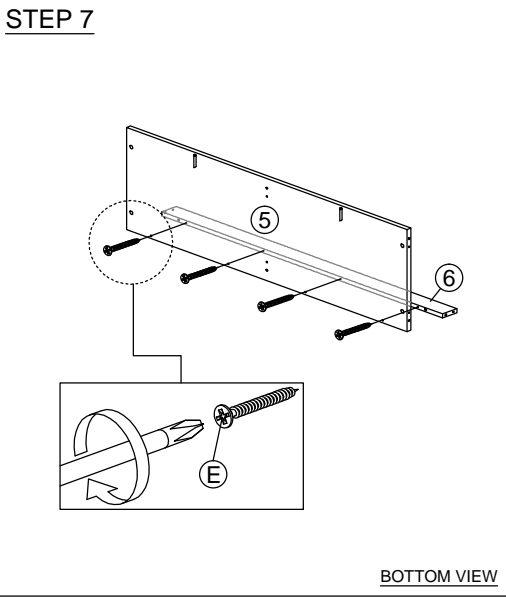
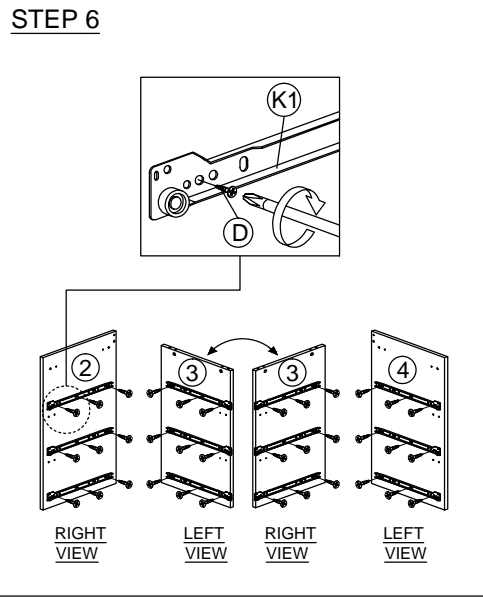
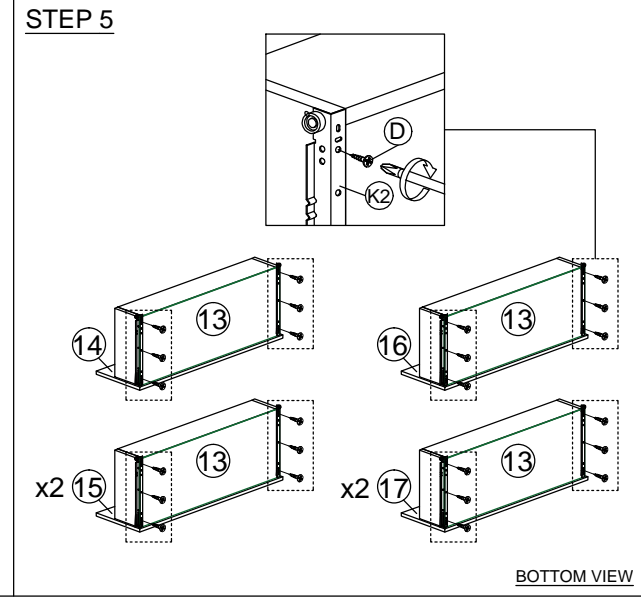
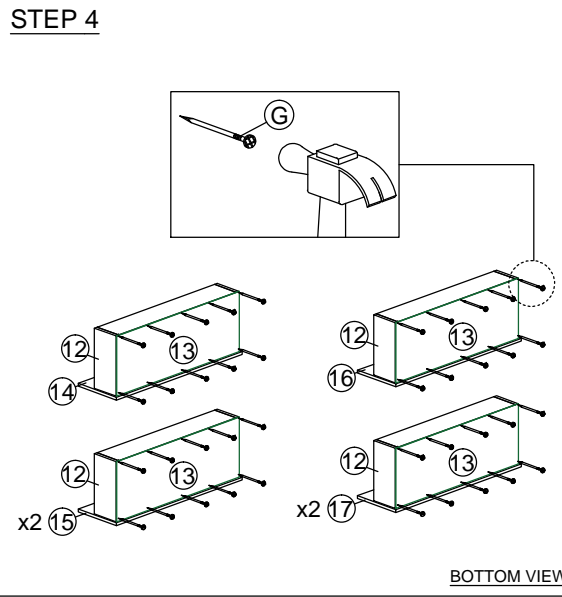
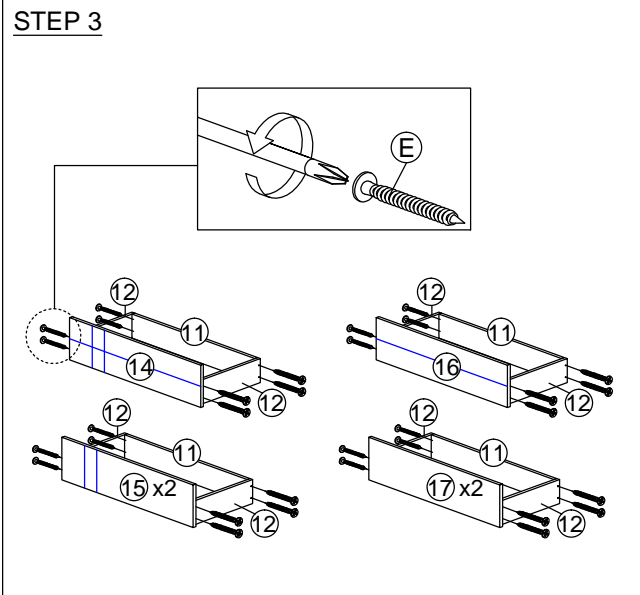
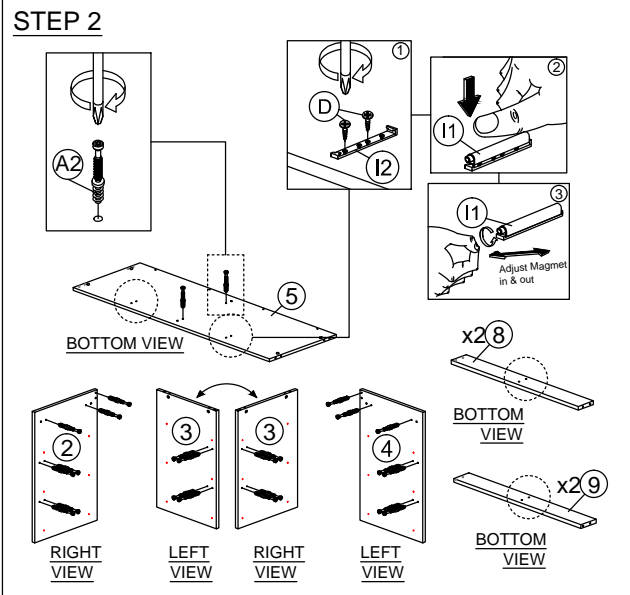
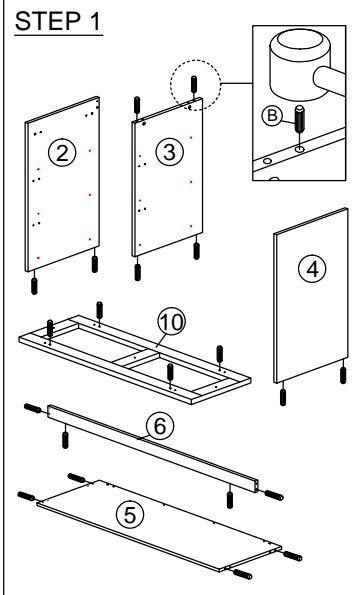
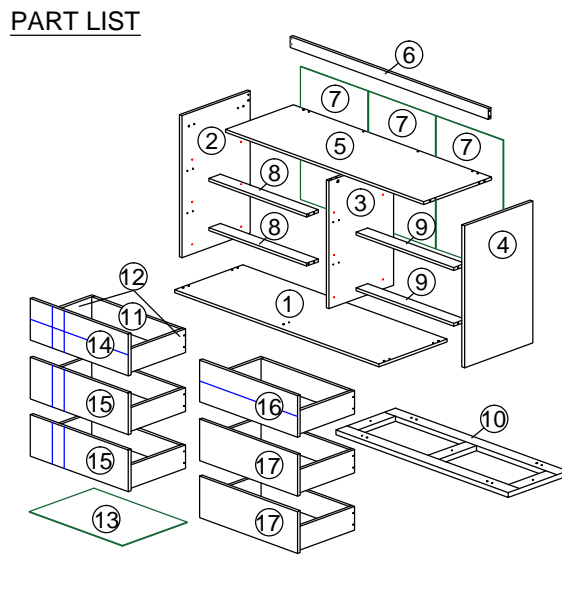
ASSEMBLY INSTRUCTION

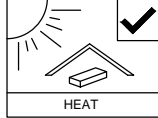
MODEL : ANYA 2504 CD

DESC : 6 DRAWERS CHEST

HARDWARE

| | | | | | | | | | | | |
|--|-------------------------|-------------------|----------------------------|--|-----------------------------------|--------------------------------------|------------------------------------|--------------------------------|-----------------------------|---|--|
| A A1 MINIFIX (HOUSING) 24 SETS | A2 MINIFIX (EURO 24) | A3 MINIFIX CAP | A5 L KEY M4 1 | B WOOD DOWEL M8 X 25MM 20 | C CB SCREW M4X45MM 6 | D CB SCREW M3.5X16MM 84 | E CB SCREW M4X38MM 59 | F FOOT PAD 25MM 7 | G NAIL 5/8 100 | I I1 I2 I3 I4 566 DOOR DAMPER 6 SETS | K K1 K2 DRAWER SLIDE 14" 6 SETS |
|--|-------------------------|-------------------|----------------------------|--|-----------------------------------|--------------------------------------|------------------------------------|--------------------------------|-----------------------------|---|--|



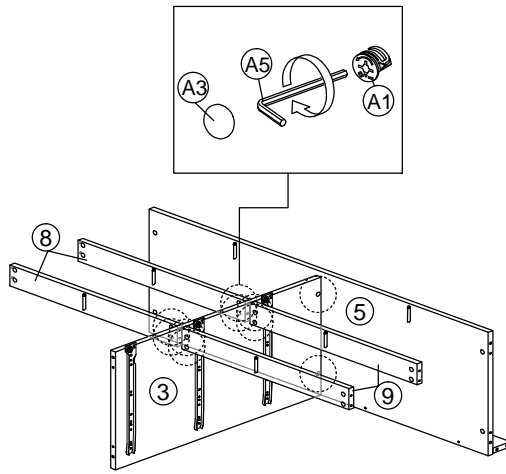


ASSEMBLY INSTRUCTION

MODEL : ANYA 2504 CD

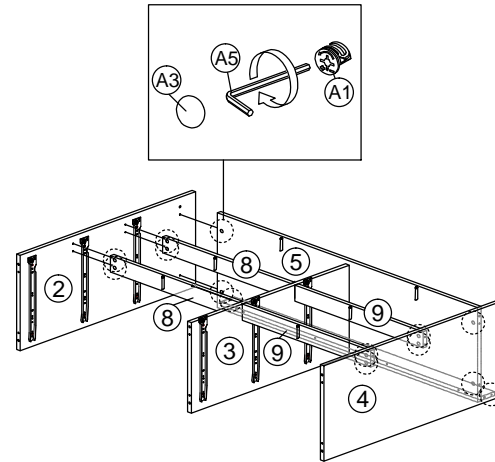
DESC : 6 DRAWERS CHEST

STEP 8



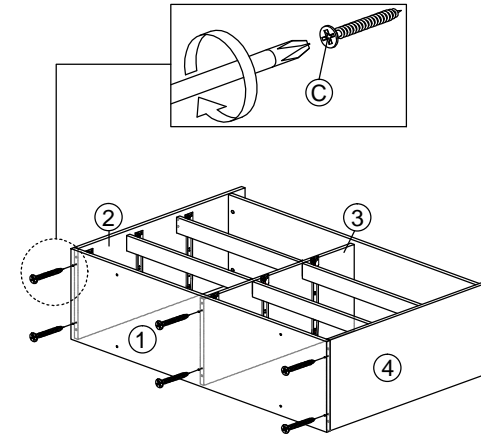
BOTTOM VIEW

STEP 9



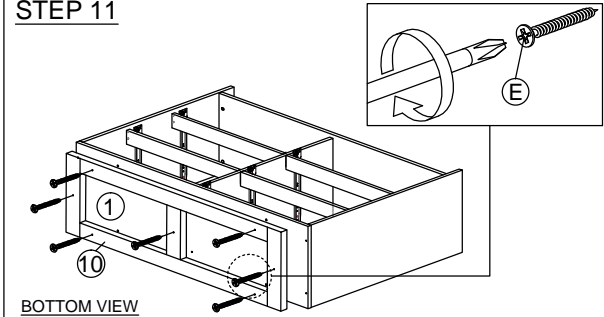
BOTTOM VIEW

STEP 10



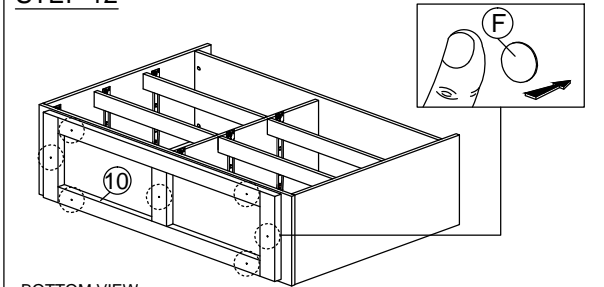
BOTTOM VIEW

STEP 11



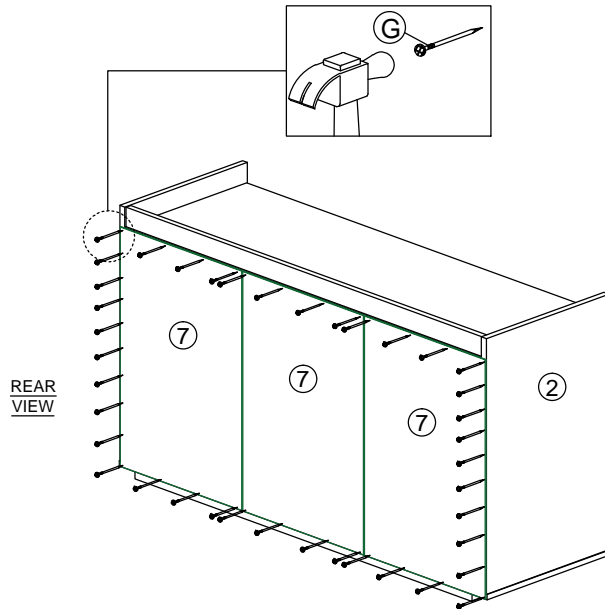
BOTTOM VIEW

STEP 12



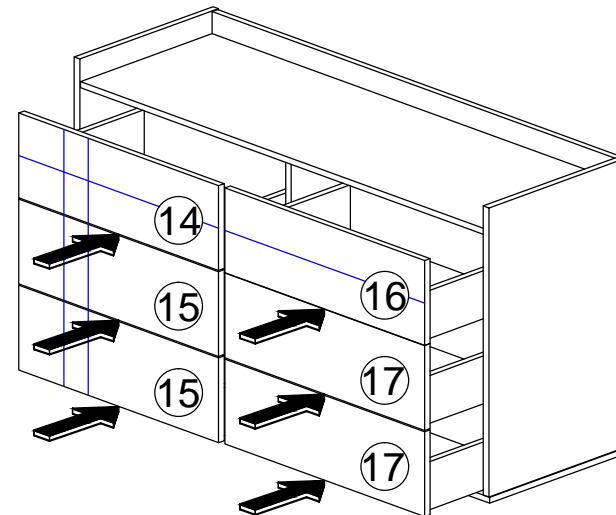
BOTTOM VIEW

STEP 13

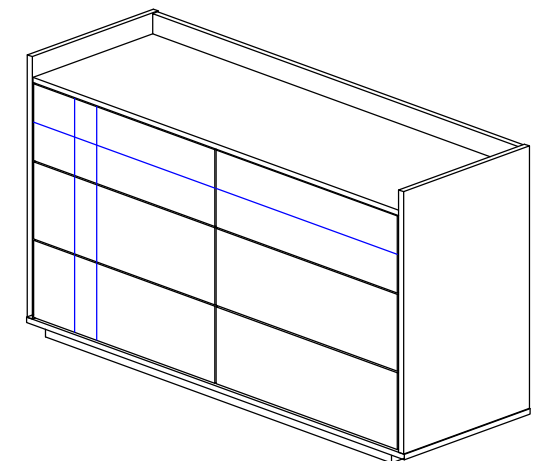


REAR VIEW

STEP 14

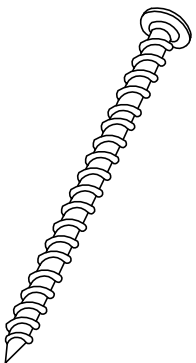


COMPLETED

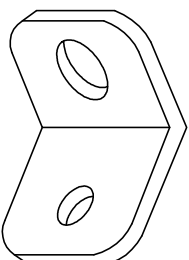


Installation of Anti-Tip Restraint

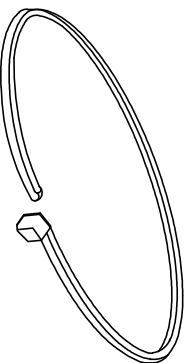
Kit includes:



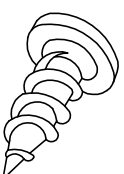
A (x1)
Long screw



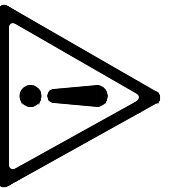
B (x2)
Mounting bracket



C (x1)
Restraint strap



D (x1)
Short screw



WARNING

Serious of fatal crushing injuries can occur from furniture tip-over. To help Prevent tip-over:

- Install tip-over restraint provided
- Place heaviest items in the lower drawers
- Do not set TV's or other heavy objects on top of this product
- Never allow children to climb or hang on drawers, doors or shelves
- Never open more than one drawer at a time
- Do not defeat or remove the drawer interlock system

Use tip-over restraints may only reduce but not eliminate the risk of tip-over.

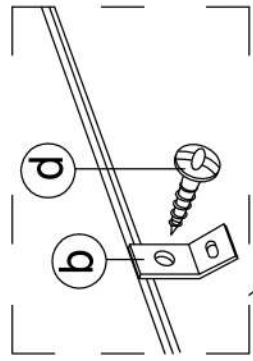


IMPORTANT: Use of this safety kit is mandatory. This restraint is not a substitute for proper adult supervision. Failure to detach this restraint before moving furniture may result in injury and damage.

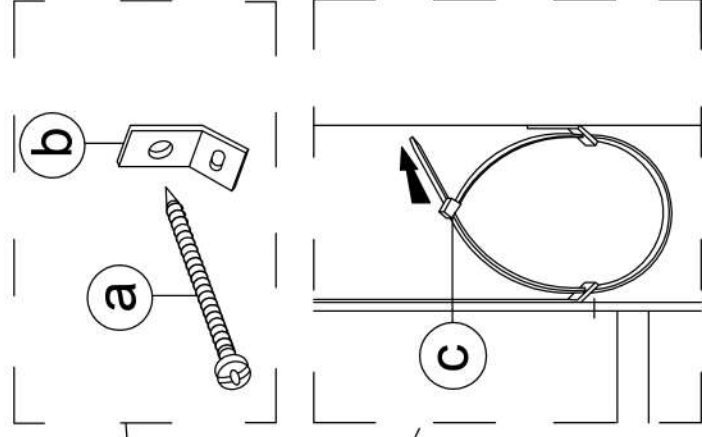
FITTING OF ANTI-TIP SAFETY STRAP

STEP 1:

- Attach the mounting bracket **(b)** to the furniture in the solid part below the top panel a few inches away from the side of the unit.
- Screw **(d)** through the smallest hole of **(b)**.



BACK SIDE OF TOP PANEL

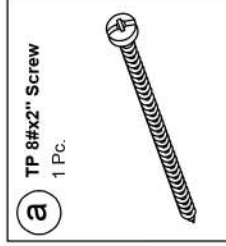


STEP 2:

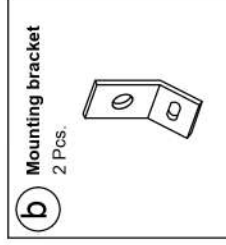
- Locate a stud in the wall behind the area where you have to place the furniture.
- Place the other mounting bracket **(b)** on the wall stud 2 inches below the mounting bracket secured to the back of your unit.
- Attach to the wall stud using **(a)** through the smaller hole of **(b)**.

STEP 3:

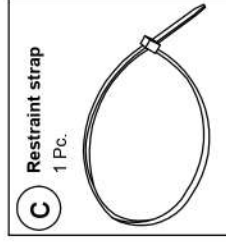
- Repeat the same step a few inches away from the other side of the unit.
- Place the furniture into position so both mounting brackets are vertically in line.
- Lace the end of the restraint strap through the larger holes in each mounting bracket.
- Secure the straps and lock into place.



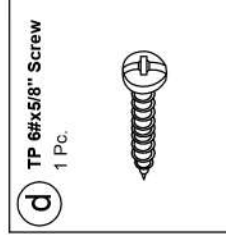
(a) TP 8#x2" Screw
1 Pc.



(b) Mounting bracket
2 Pcs.



(c) Restraint strap
1 Pc.



(d) TP 6#x5/8" Screw
1 Pc.