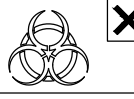


SOFT, DRY CLOTH



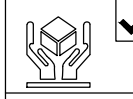
CHEMICAL



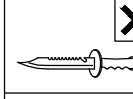
HEAT



KEEP DRY



HANDLE WITH CARE



DO NOT USE KNIFE

# ASSEMBLY INSTRUCTION

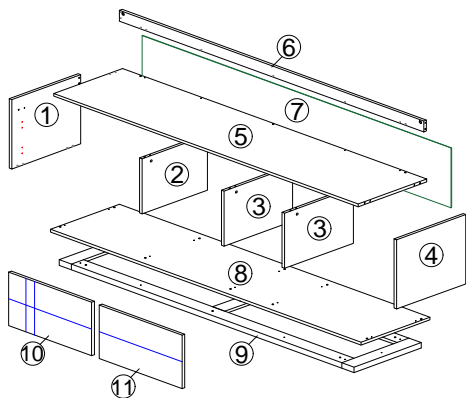
MODEL : ANYA 2501 TV

DESC : TV CABINET

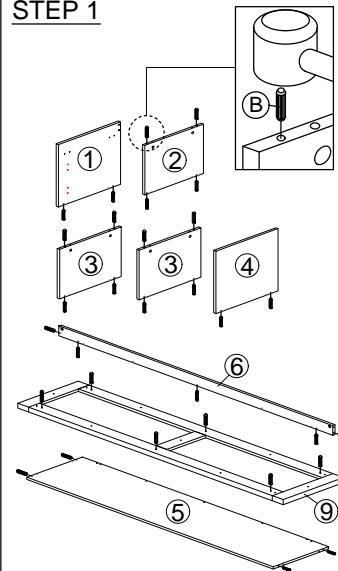
## HARDWARE

<b>A</b>	<b>A5</b>	<b>B</b>	<b>C</b>	<b>D</b>	<b>E</b>	<b>F</b>	<b>G</b>	<b>H</b>
A1 A2 A3 MINIFIX (HOUSING) MINIFIX (EURO 24) MINIFIX CAP 12 SETS	L KEY M4 1	WOOD DOWEL M8 X 25MM 31	CB SCREW M4X38MM 25	CB SCREW M3.5X16MM 20	E1 E2 E3 E4 566 DOOR DAMPER 2 SETS	FOOT PAD 25MM 8	NAIL 5/8 25	HINGES 7/8 4

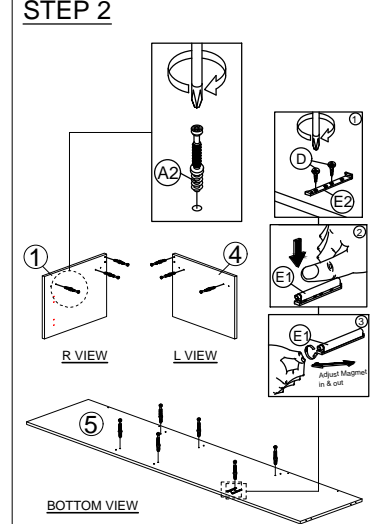
## PART LIST



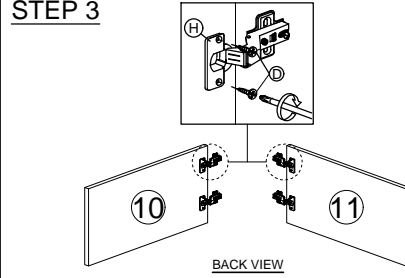
## STEP 1



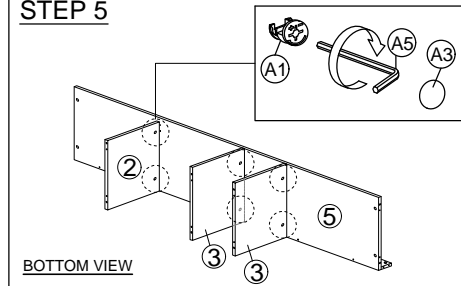
## STEP 2



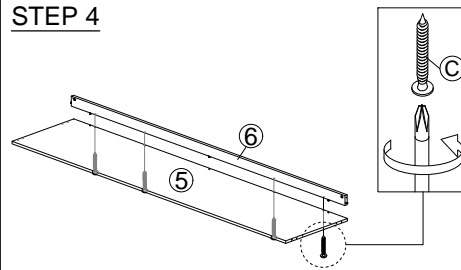
## STEP 3



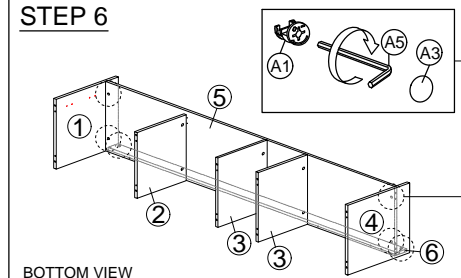
## STEP 5



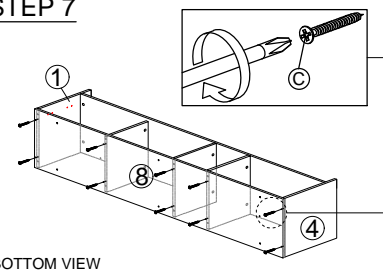
## STEP 4



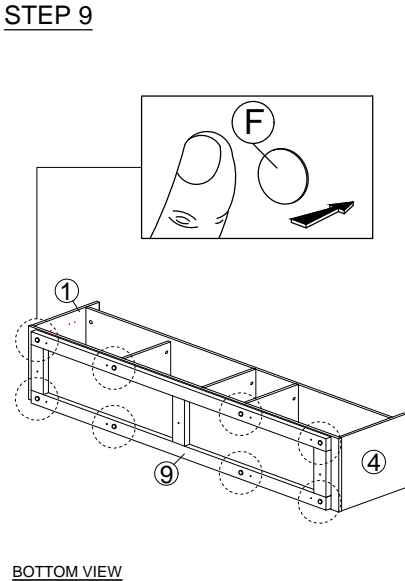
## STEP 6



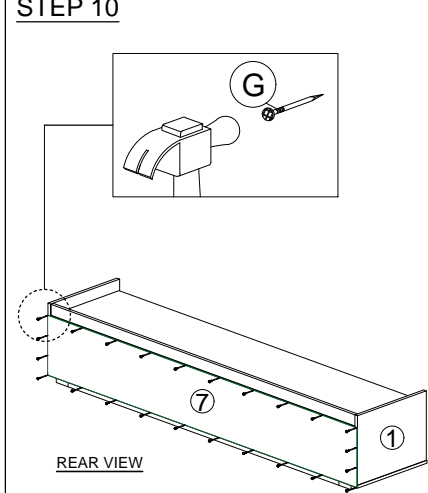
## STEP 7



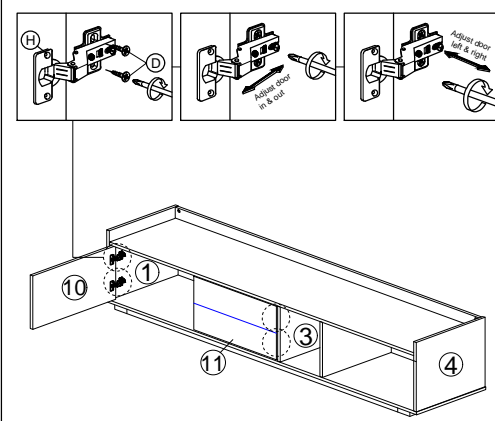
## STEP 9



## STEP 10



## STEP 11



## COMPLETED

