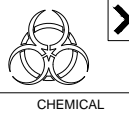
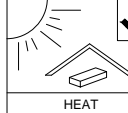




SOFT, DRY CLOTH



CHEMICAL



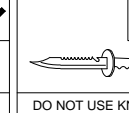
HEAT



KEEP DRY



HANDLE WITH CARE



DO NOT USE KNIFE

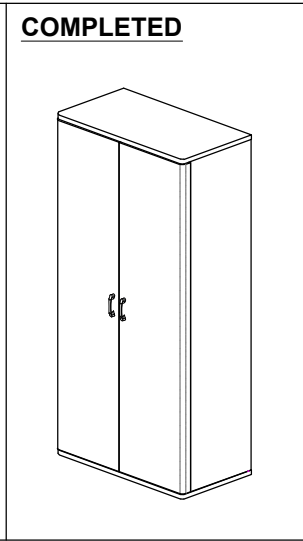
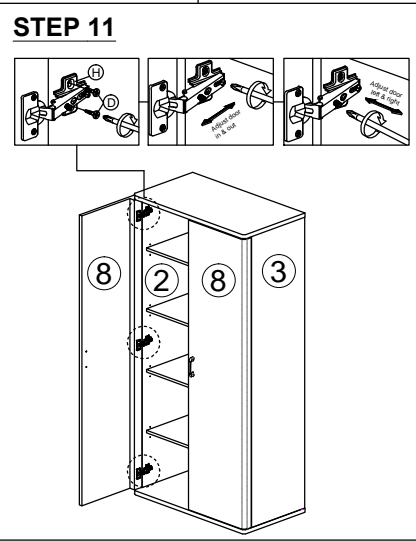
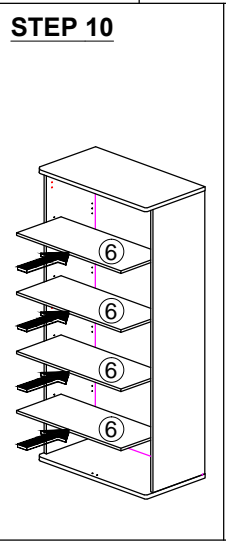
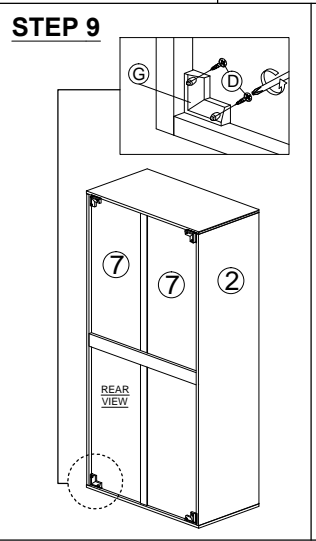
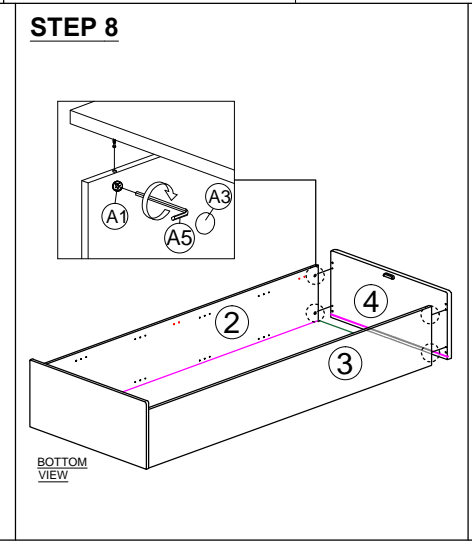
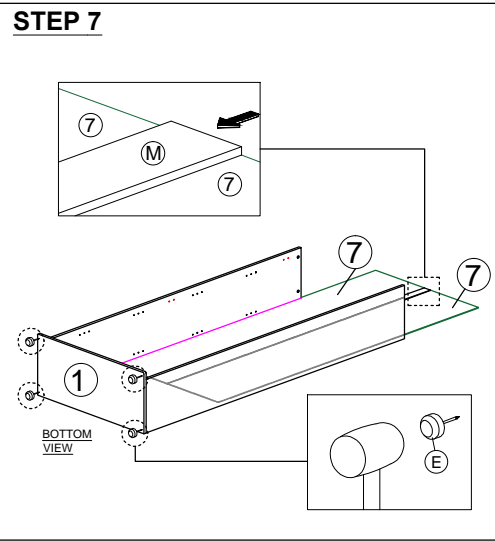
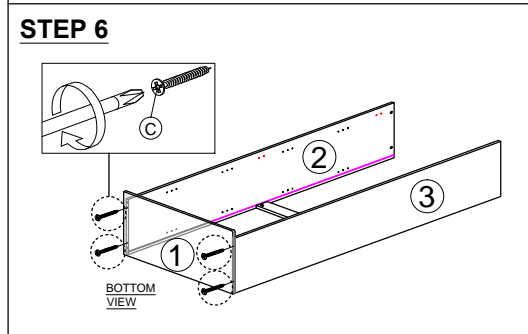
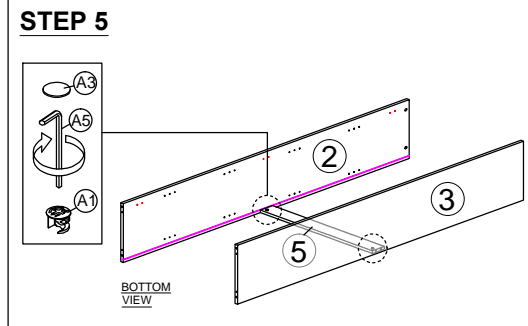
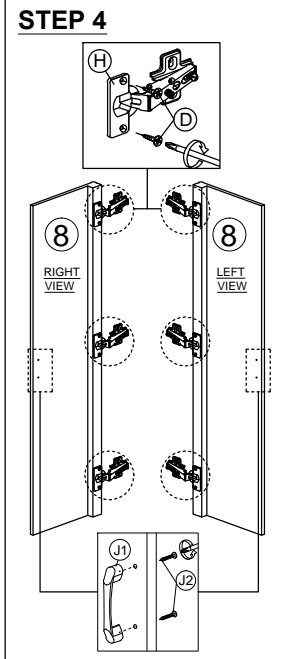
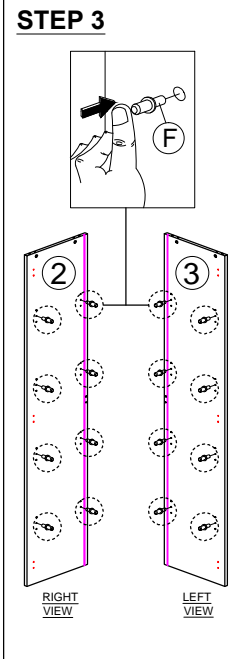
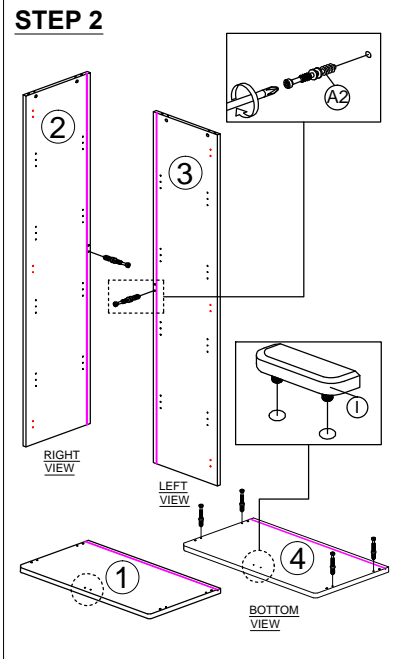
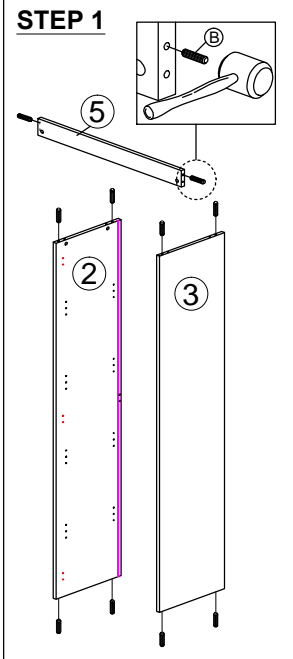
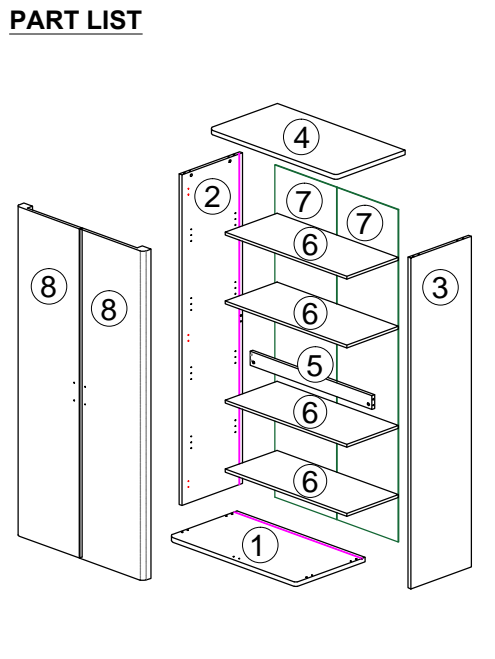
# ASSEMBLY INSTRUCTION

MODEL : OPI 251270-HC

DESC : 2 DOORS FILLING CABINET

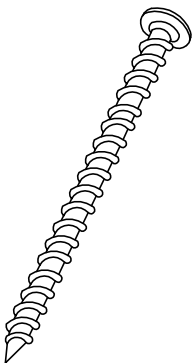
HARDWARE

<b>A</b>	<b>A5</b>	<b>B</b>	<b>C</b>	<b>D</b>	<b>E</b>	<b>F</b>	<b>G</b>	<b>H</b>	<b>I</b>	<b>J</b>	<b>M</b>			
A1 MINIFIX (HOUSING)	A2 MINIFIX (EURO 24)	A3 MINIFIX CAP	A5 ALLEN KEY	B WOOD DOWEL 8 X 25	C CB SCREW M4X45MM	D CB SCREW M3.5X16MM	E PVC NAIL WITH PIN 5/8	F SHELF SUPPORT	G PVC CORNER L BRACKET	H HINGES 5/8	I 2 PIN STOPPER	J1 TAD 23-96 PVC HANDLE	J2 CB SCREW M4X28MM	M 3MM PVH - 1798
6 SETS			1	10	4	32	4	16	4	6	2	2	4	1

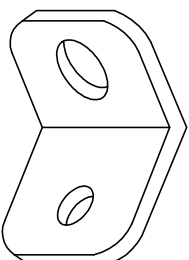


# Installation of Anti-Tip Restraint

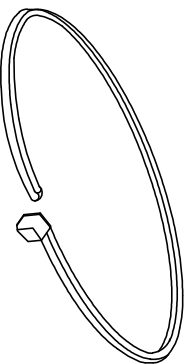
Kit includes:



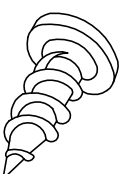
A (x1)  
Long screw



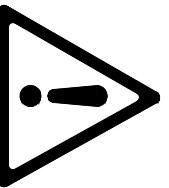
B (x2)  
Mounting bracket



C (x1)  
Restraint strap



D (x1)  
Short screw



# WARNING

**Serious of fatal crushing injuries can occur from furniture tip-over. To help Prevent tip-over:**

- Install tip-over restraint provided
- Place heaviest items in the lower drawers
- Do not set TV's or other heavy objects on top of this product
- Never allow children to climb or hang on drawers, doors or shelves
- Never open more than one drawer at a time
- Do not defeat or remove the drawer interlock system

**Use tip-over restraints may only reduce but not eliminate the risk of tip-over.**

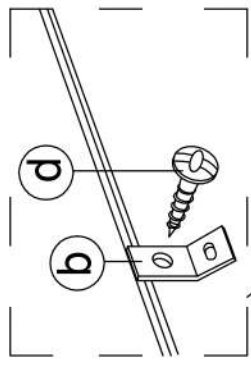


**IMPORTANT:** Use of this safety kit is mandatory. This restraint is not a substitute for proper adult supervision. Failure to detach this restraint before moving furniture may result in injury and damage.

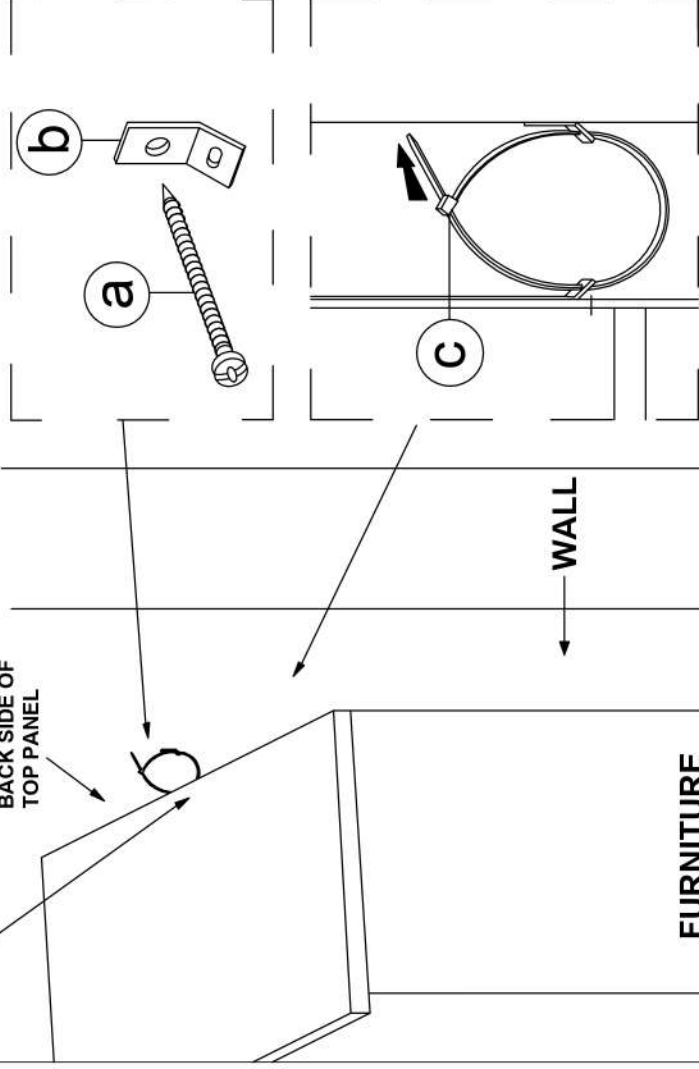
# FITTING OF ANTI-TIP SAFETY STRAP

## STEP 1:

- Attach the mounting bracket **(b)** to the furniture in the solid part below the top panel a few inches away from the side of the unit.
- Screw **(d)** through the smallest hole of **(b)**.



BACK SIDE OF  
TOP PANEL



## STEP 2:

- Locate a stud in the wall behind the area where you have to place the furniture.
- Place the other mounting bracket **(b)** on the wall stud 2 inches below the mounting bracket secured to the back of your unit.
- Attach to the wall stud using **(a)** through the smaller hole of **(b)**.

## STEP 3:

- Repeat the same step a few inches away from the other side of the unit.
- Place the furniture into position so both mounting brackets are vertically in line.
- Lace the end of the restraint strap through the larger holes in each mounting bracket.
- Secure the straps and lock into place.

