

# ASSEMBLY INSTRUCTION

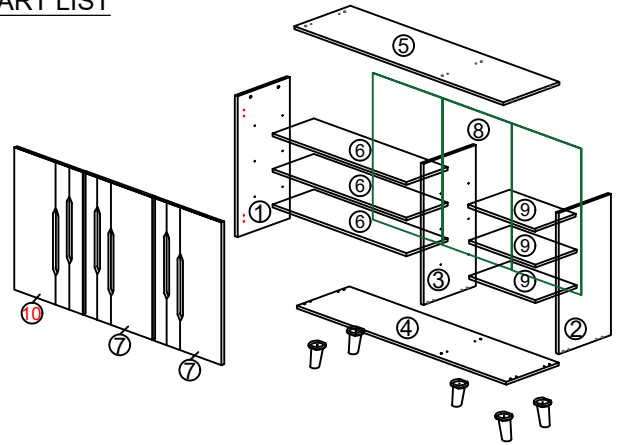
MODEL : SC 258322 -3

DESCRIPTION : 3 DOOR SHOE CABINET

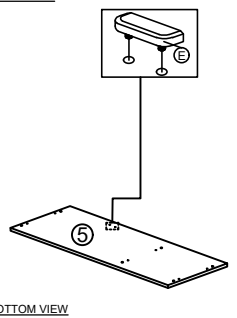
HARDWARE

<b>A</b> A1 MINIFIX (HOUSING) 6 set	A2 MINIFIX (EURO 24)	A3 MINIFIX CAP	<b>A5</b> ALLEN KEY 1	<b>B</b> WOOD DOWEL 8 X 25 12	<b>C</b> CB SCREW M4X45MM 6	<b>D</b> CB SCREW M3.5X16MM 44	<b>E</b> 2 PIN STOPPER 1	<b>F</b> SHELF SUPPORT 24	<b>G</b> NAIL 5/8 45	<b>H</b> HINGES 5/8 6	<b>L</b> 120mm Round TAPPER PVC LEG 5
--	-------------------------	-------------------	-----------------------------	-------------------------------------	-----------------------------------	--------------------------------------	--------------------------------	---------------------------------	----------------------------	-----------------------------	---

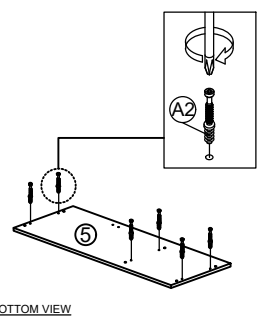
## PART LIST



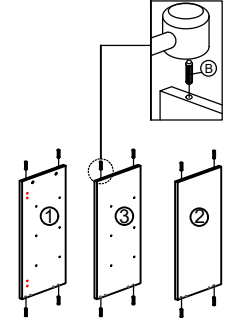
### STEP 1



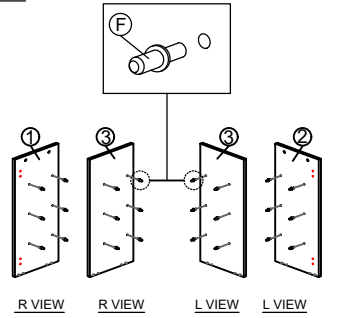
### STEP 2



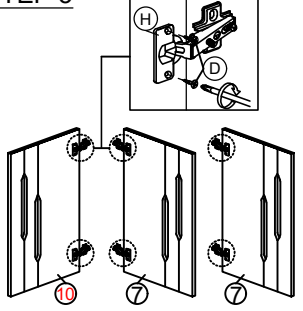
### STEP 3



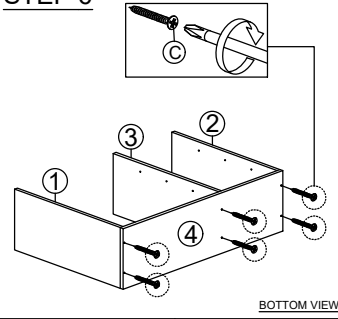
### STEP 4



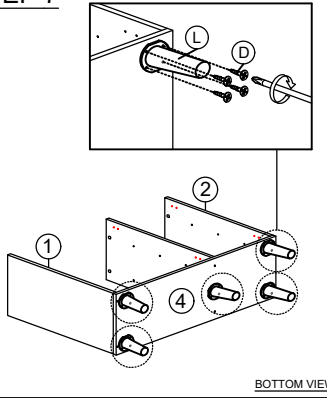
### STEP 5



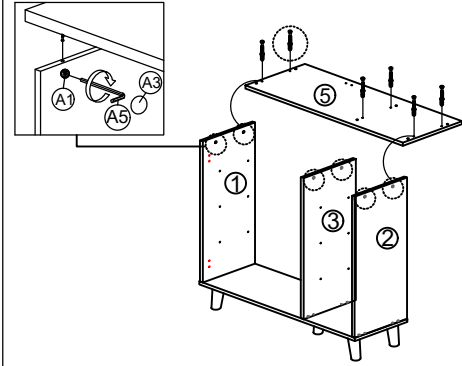
### STEP 6



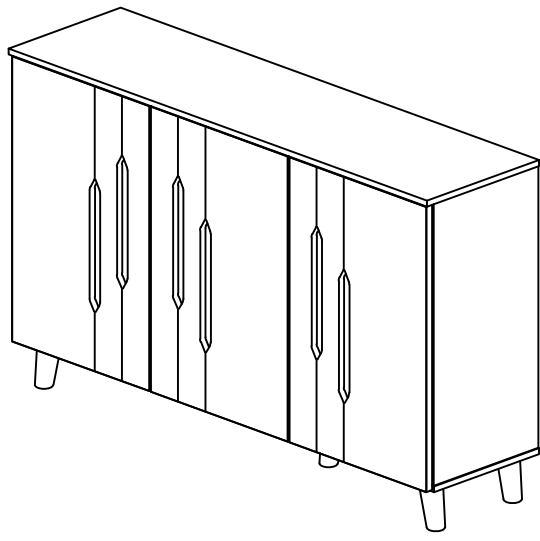
### STEP 7



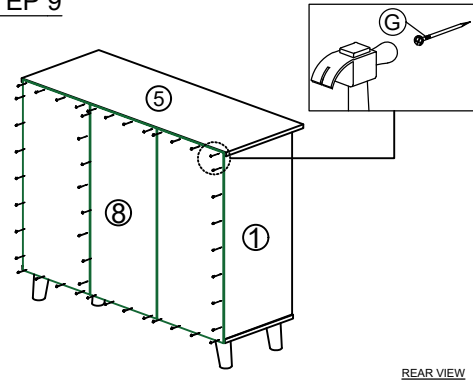
### STEP 8



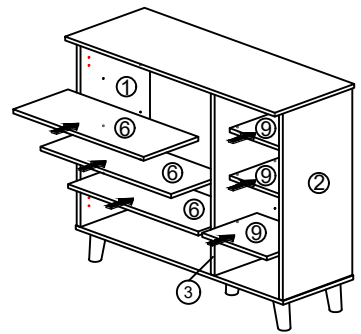
### COMPLETED



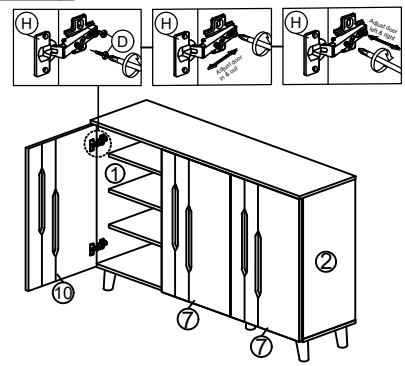
### STEP 9



### STEP 10

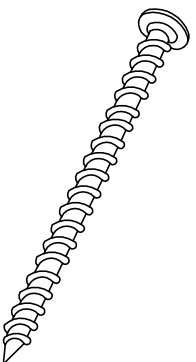


### STEP 11

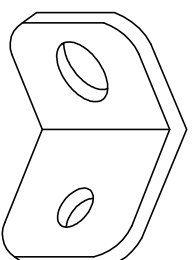


# Installation of Anti-Tip Restraint

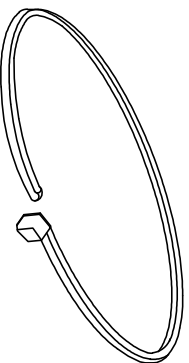
Kit includes:



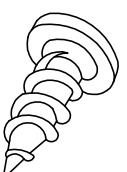
A (x1)  
Long screw



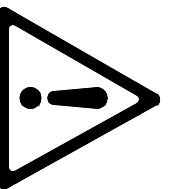
B (x2)  
Mounting bracket



C (x1)  
Restraint strap



D (x1)  
Short screw



## WARNING

**Serious of fatal crushing injuries can occur from furniture tip-over. To help Prevent tip-over:**

- Install tip-over restraint provided
- Place heaviest items in the lower drawers
- Do not set TV's or other heavy objects on top of this product
- Never allow children to climb or hang on drawers, doors or shelves
- Never open more than one drawer at a time
- Do not defeat or remove the drawer interlock system

**Use tip-over restraints may only reduce but not eliminate the risk of tip-over.**

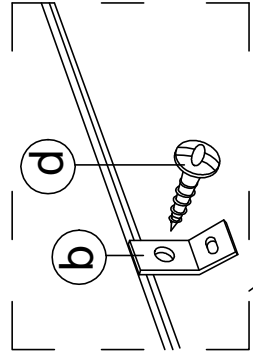


**IMPORTANT:** Use of this safety kit is mandatory. This restraint is not a substitute for proper adult supervision. Failure to detach this restraint before moving furniture may result in injury and damage.

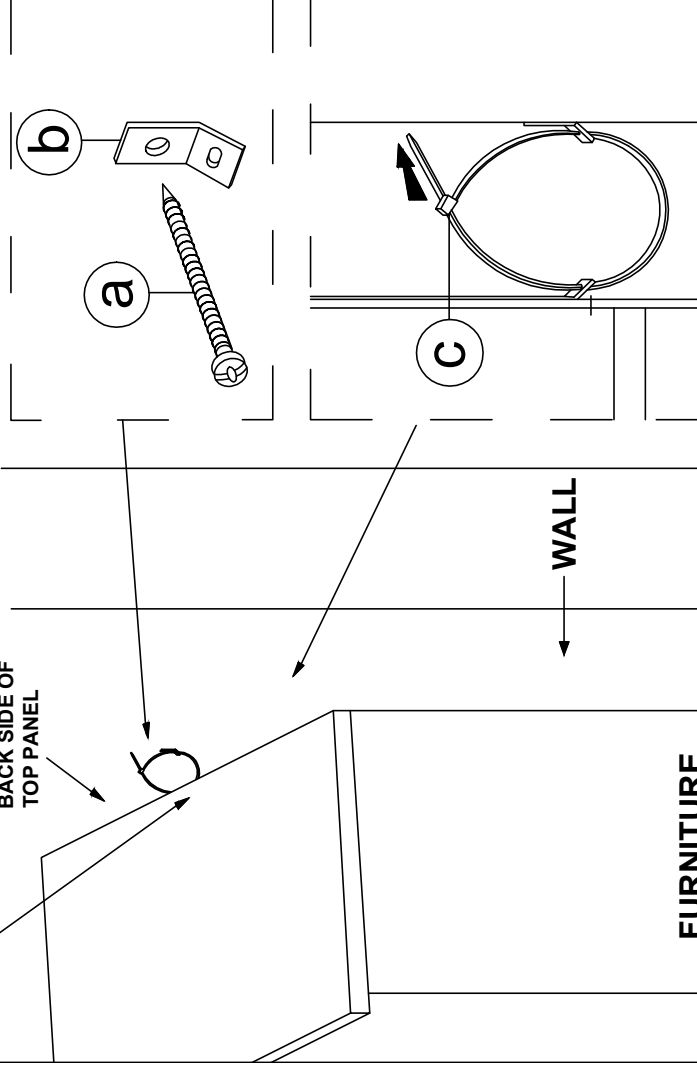
# FITTING OF ANTI-TIP SAFETY STRAP

## STEP 1:

- Attach the mounting bracket **(b)** to the furniture in the solid part below the top panel a few inches away from the side of the unit.
- Screw **(d)** through the smallest hole of **(b)**.



BACK SIDE OF TOP PANEL



## STEP 2:

- Locate a stud in behind the have to
- Place the other mounting bracket **(b)** on the wall stud 2 inches below the mounting bracket secured to the back of your unit.
- Attach to the wall stud using **(a)** through the smaller hole of **(b)**.

## STEP 3:

- Repeat the same step a few inches away from the other side of the unit.
- Place the furniture into position so both mounting brackets are vertically in line.
- Lace the end of the restraint strap through the larger holes in each mounting bracket.
- Secure the straps and lock into place.

