

KD BED BASE ASSEMBLE INSTRUCTION

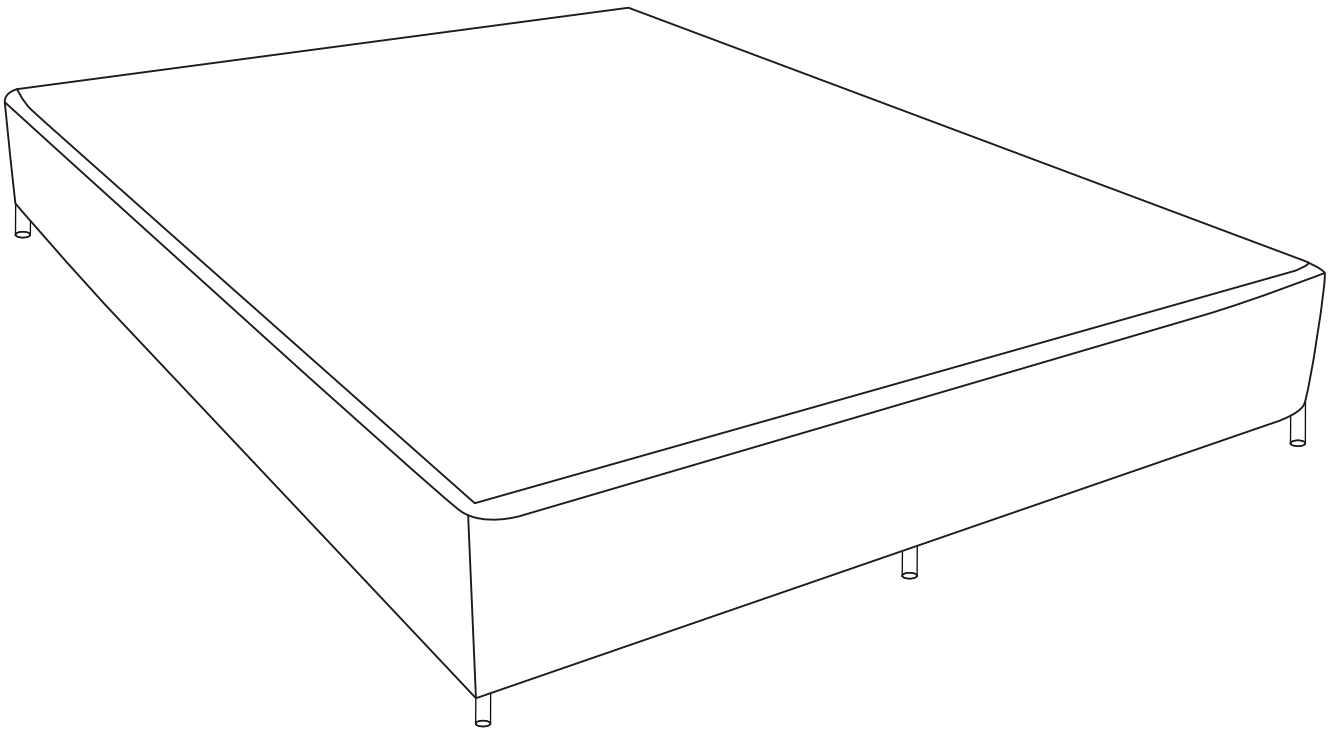
Adult assemble required.

Small parts may present choking hazard prior to assemble.

Enclosed please find simple step-by-step instructions to help you quickly assemble your products.

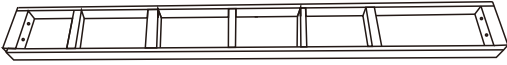
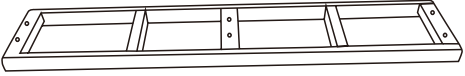

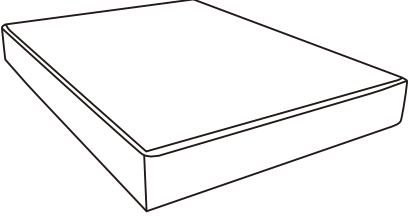

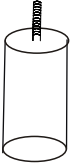
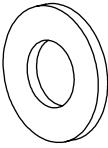
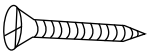
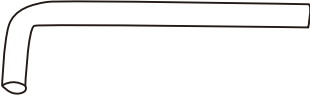
Before you begin we recommend that you following the step below:

1. Please read the instructions thoroughly.
2. Identify all parts and hardware.
3. You will need the following tool:
Hex Key

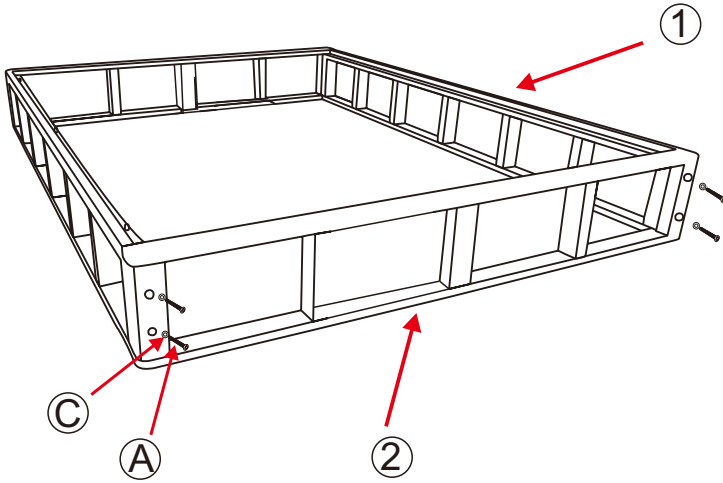


To protect your parts during assemble please place them on a soft surface. To clean surface use only water on a damp cloth , Do not use window cleaners or cleaning abrasives as it will scratch the surface and could damage the protective coating .

PARTS LIST

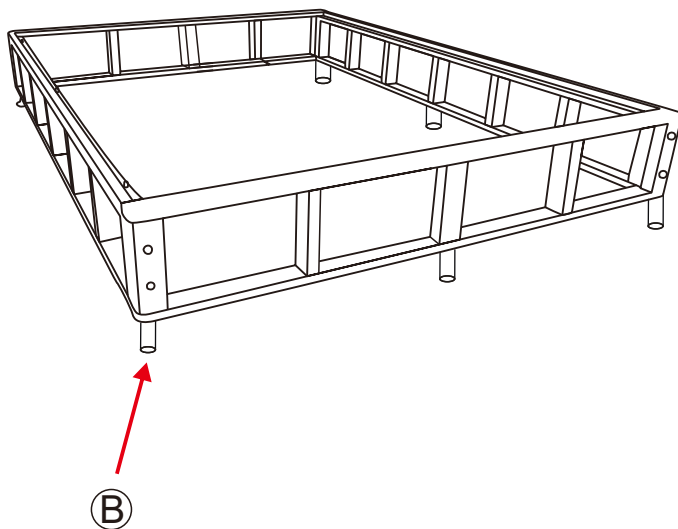
<p>①</p> 	<p>②</p> 
<p>Long Bed Side (2 pcs)</p>	<p>Short Bed Side (2 pcs)</p>
	<p>④</p> 
	<p>Slats</p>
<p>⑤</p> 	<p>Ⓐ</p> 
<p>Slip Cover (1 pc)</p>	<p>Hexagonal Head Screw (8 PCS)</p>
<p>Ⓑ</p> 	<p>Ⓒ</p> 
<p>Leg (8 pcs)</p>	<p>Flat Washer (8 pcs)</p>
<p>Ⓓ</p> 	
<p>Screw (6 pcs)</p>	<p>Hex Key</p>

ASSEMBLY PROCESS



STEP 1

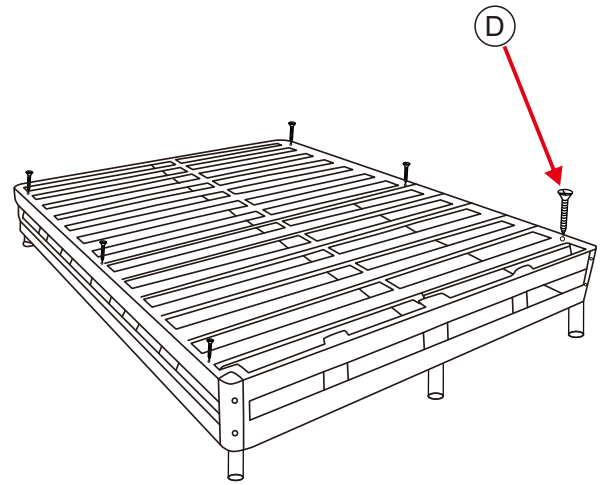
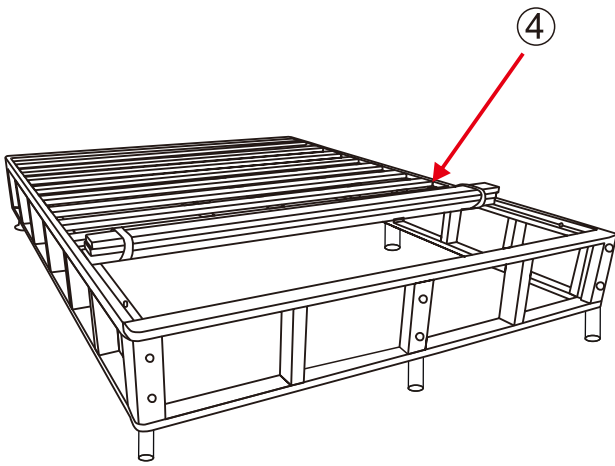
Easily assemble each side by using the tool kit supplied.



STEP 2

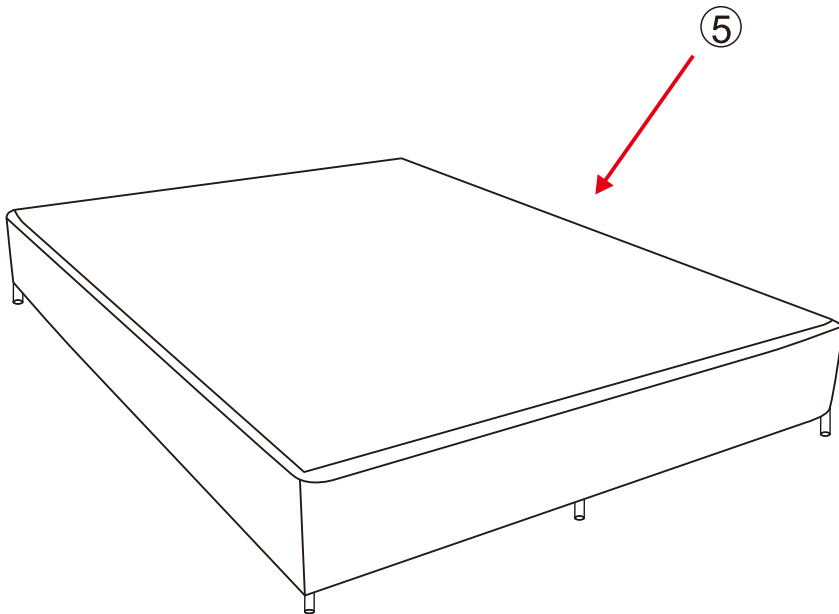
Apply & hand screw the feet into the bottom of the base.

ASSEMBLE PROCESS



STEP 3

Lock each slat into place by applying pressure.



STEP 4

Cover using the slip fabric overlay, then attach velcro to the base.