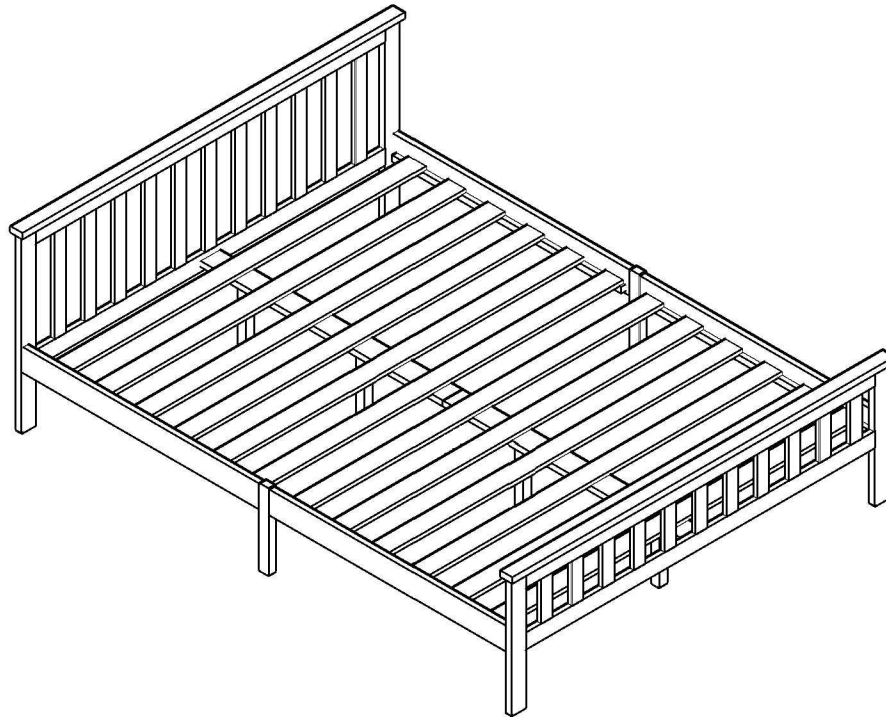




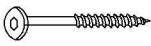


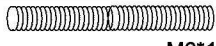

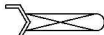




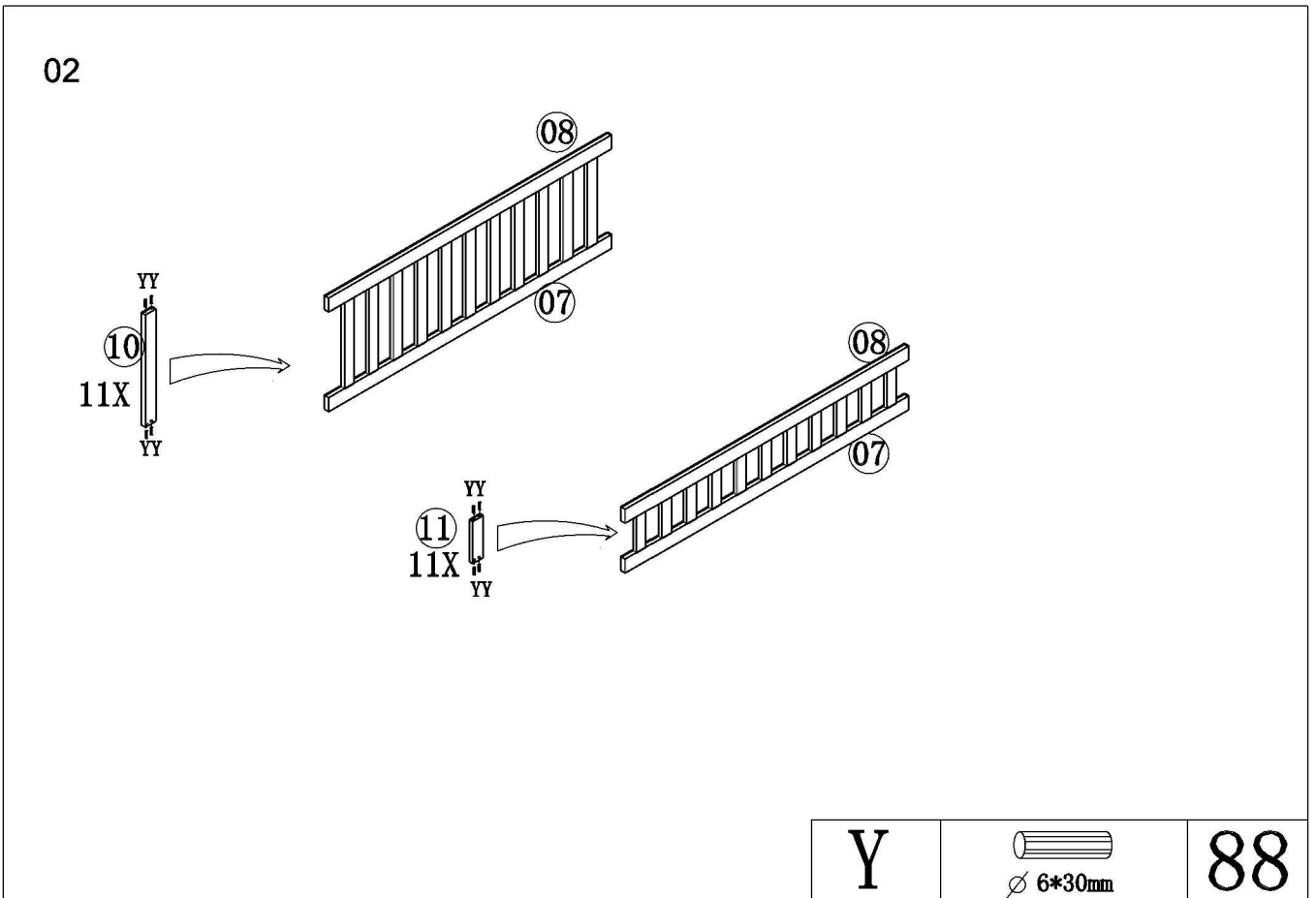
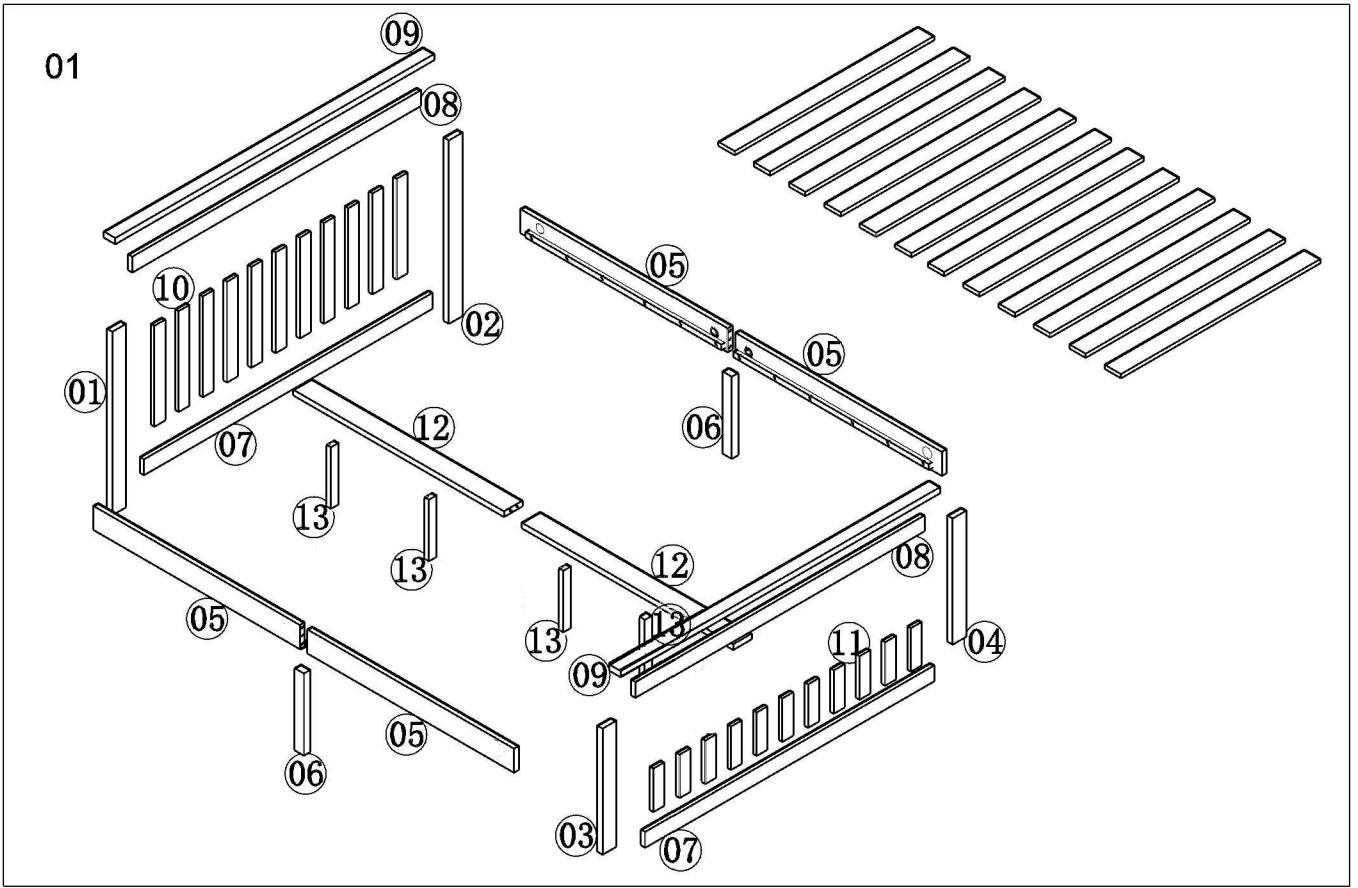
1530 BED



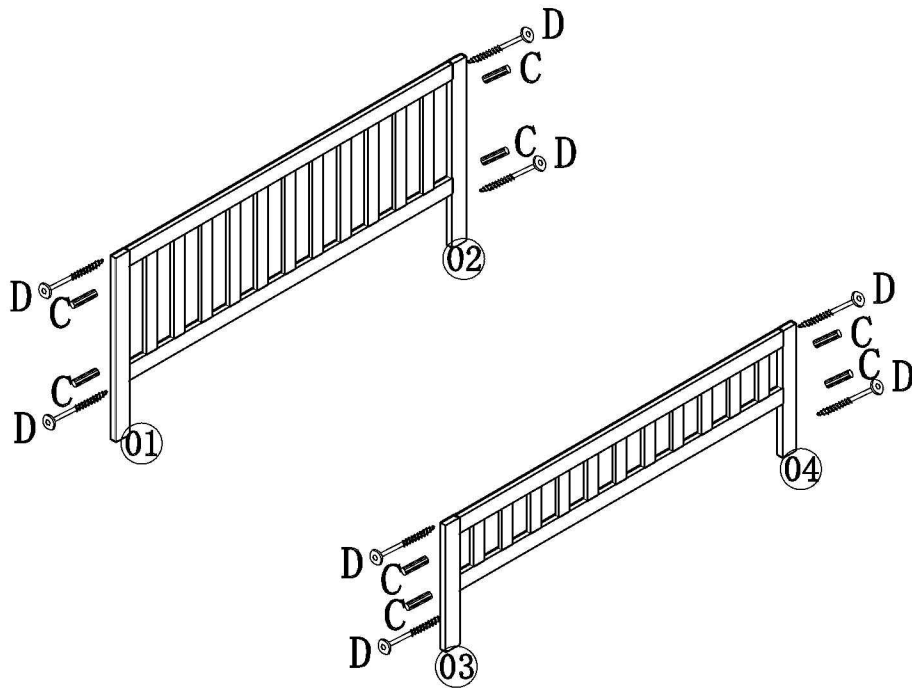
The screw will be loose in the use of the product, and the hardware screw should be re tightened every 15 days .

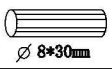
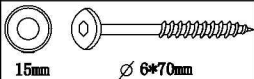
HARDWARE

|   |   |      |   |   |      |
|---|---|------|---|---|------|
| A |  Ø6*90mm         | 04   | F |           | 01   |
| C |  Ø8*30mm         | 26+2 | G |  Ø3*25mm   | 24+2 |
| D |  Ø6*70mm         | 20+1 | Y |  Ø6*30mm  | 88+2 |
| E |  M6*70mm<br>FLAT | 8+1  | H |  M6*140mm | 02   |
| N |  M6*30mm         | 08+1 | Z |  M6       | 02   |
| P |  M6              | 08+1 | O |  M6*12mm  | 08+1 |
|   |   |      |   |   |      |
|   |   |      |   |   |      |

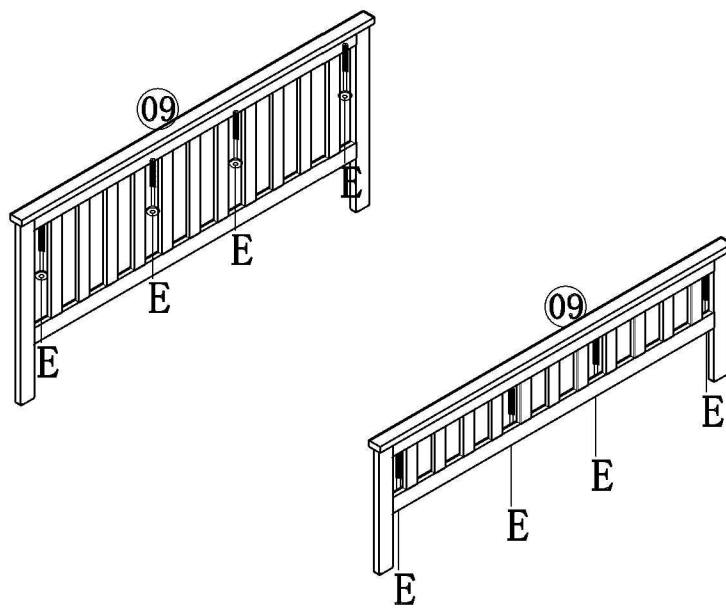


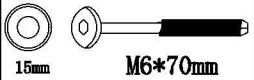
03

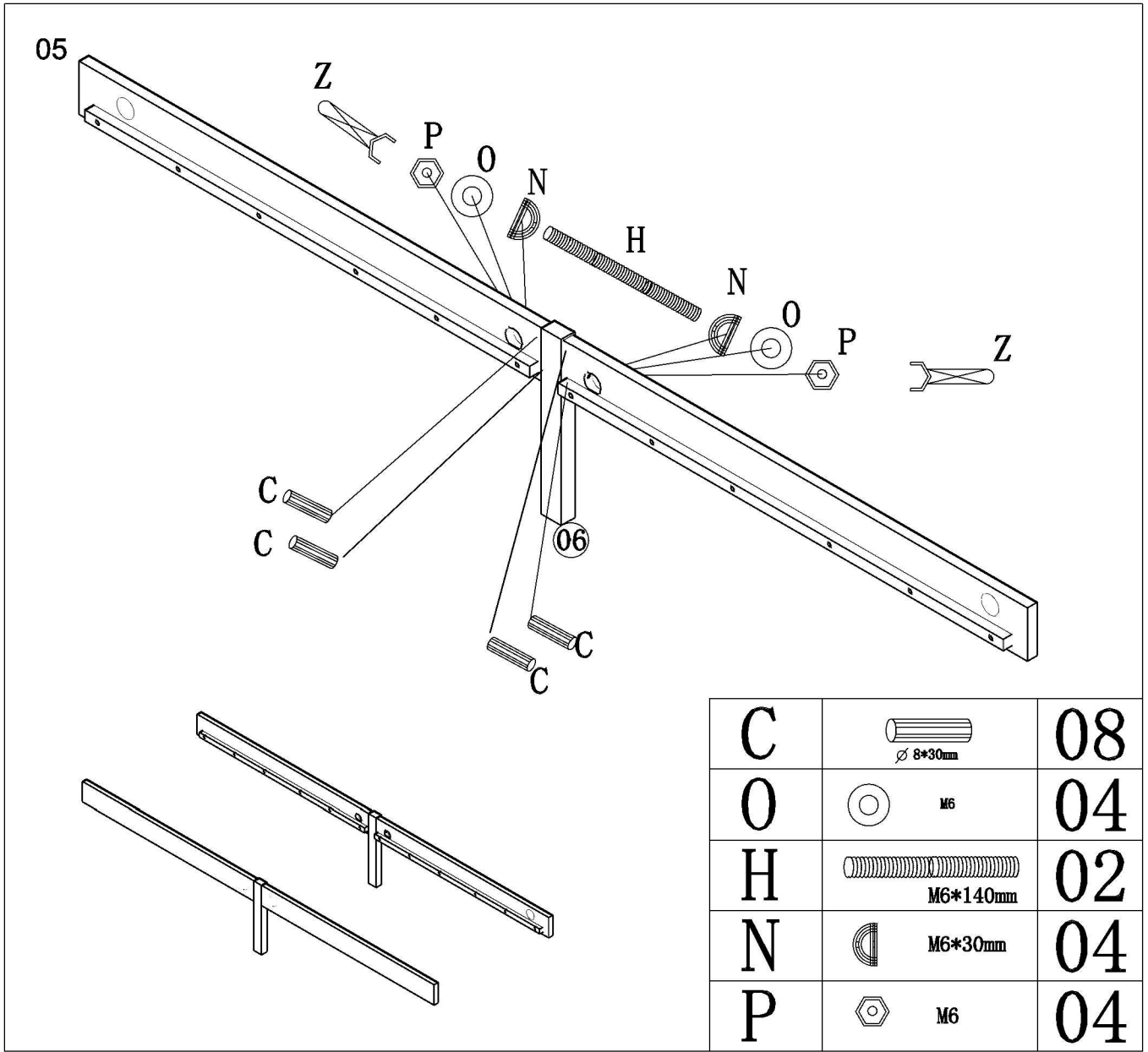


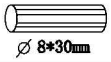
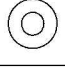



|   |  |    |
|---|--|----|
| C | <br>∅ 8*30mm       | 08 |
| D | <br>15mm ∅ 6*70mm | 08 |

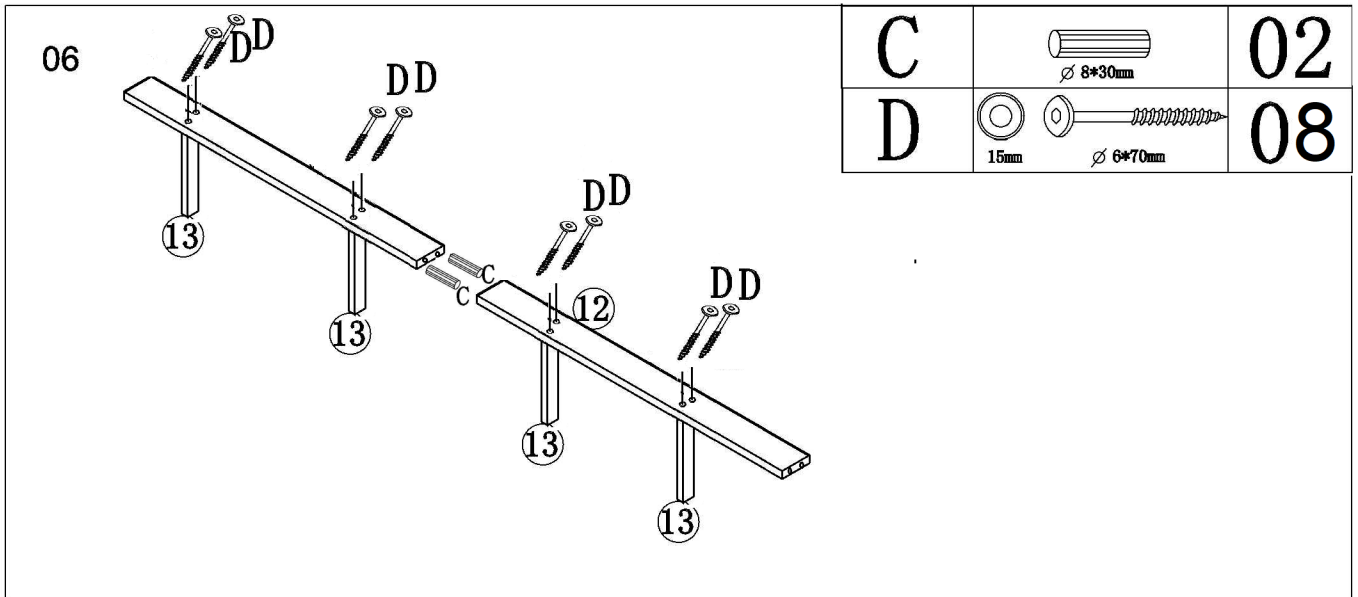
04

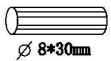

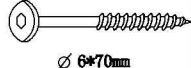


|   |   |    |
|---|---|----|
| E | <br>15mm M6*70mm | 08 |
|---|---|----|

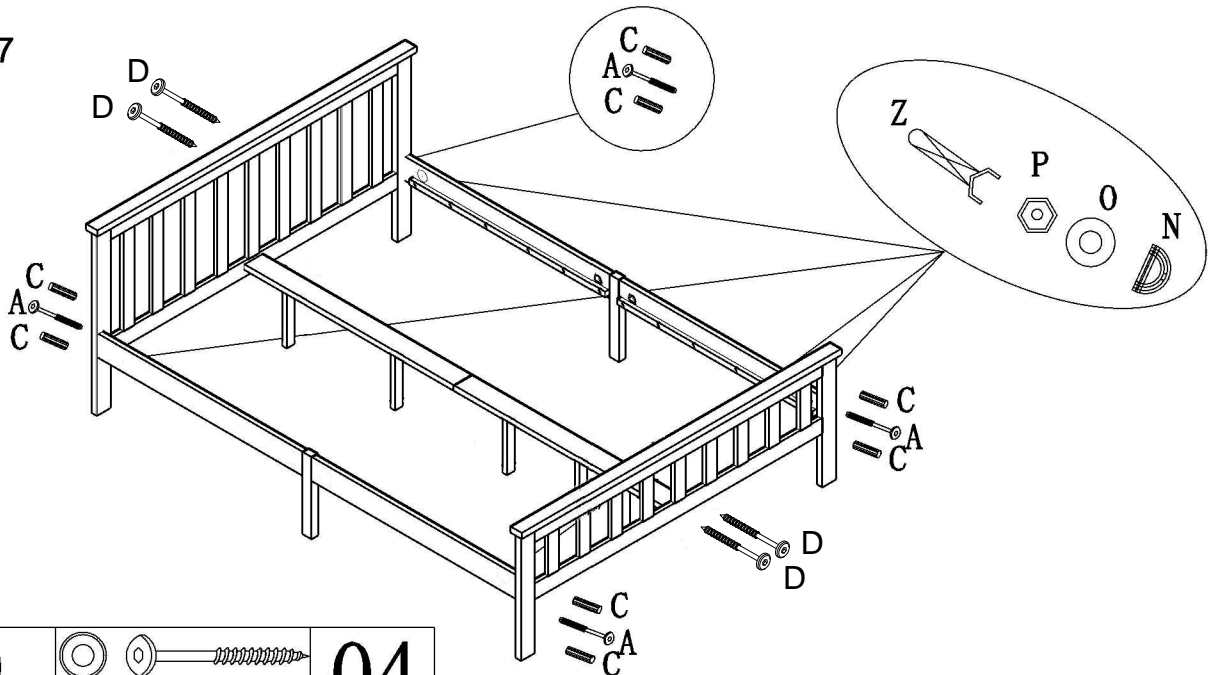


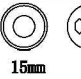



|   |   |    |
|---|---|----|
| C | <br>∅ 8*30mm | 08 |
| O |  M6          | 04 |
| H | <br>M6*140mm | 02 |
| N |  M6*30mm     | 04 |
| P |  M6          | 04 |

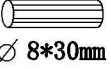
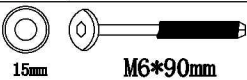


|   |  |    |
|---|--|----|
| C | <br>∅ 8*30mm  | 02 |
| D |  15mm<br> ∅ 6*70mm | 08 |

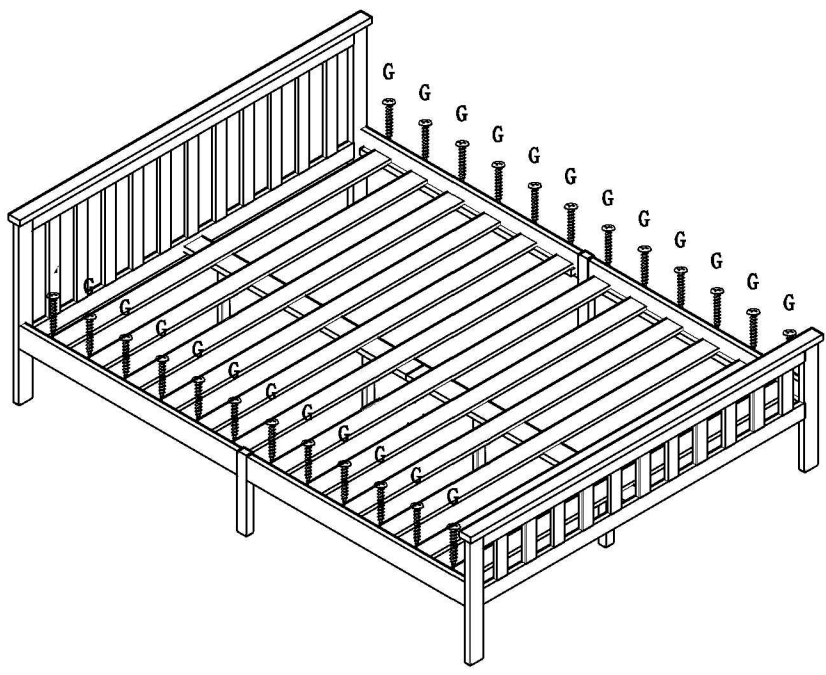
07

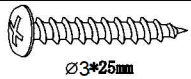


|   |   |    |
|---|---|----|
| D |  15mm $\varnothing$ 6*70mm | 04 |
| N |  M6*30mm                   | 04 |
| P |  M6                       | 04 |
| O |  M6                      | 04 |

|   |   |    |
|---|---|----|
| C |  $\varnothing$ 8*30mm | 08 |
| A |  15mm M6*90mm        | 04 |

08



|   |  |    |
|---|--|----|
| G |  8mm $\varnothing$ 3*25mm | 24 |
|---|--|----|