

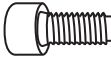





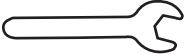




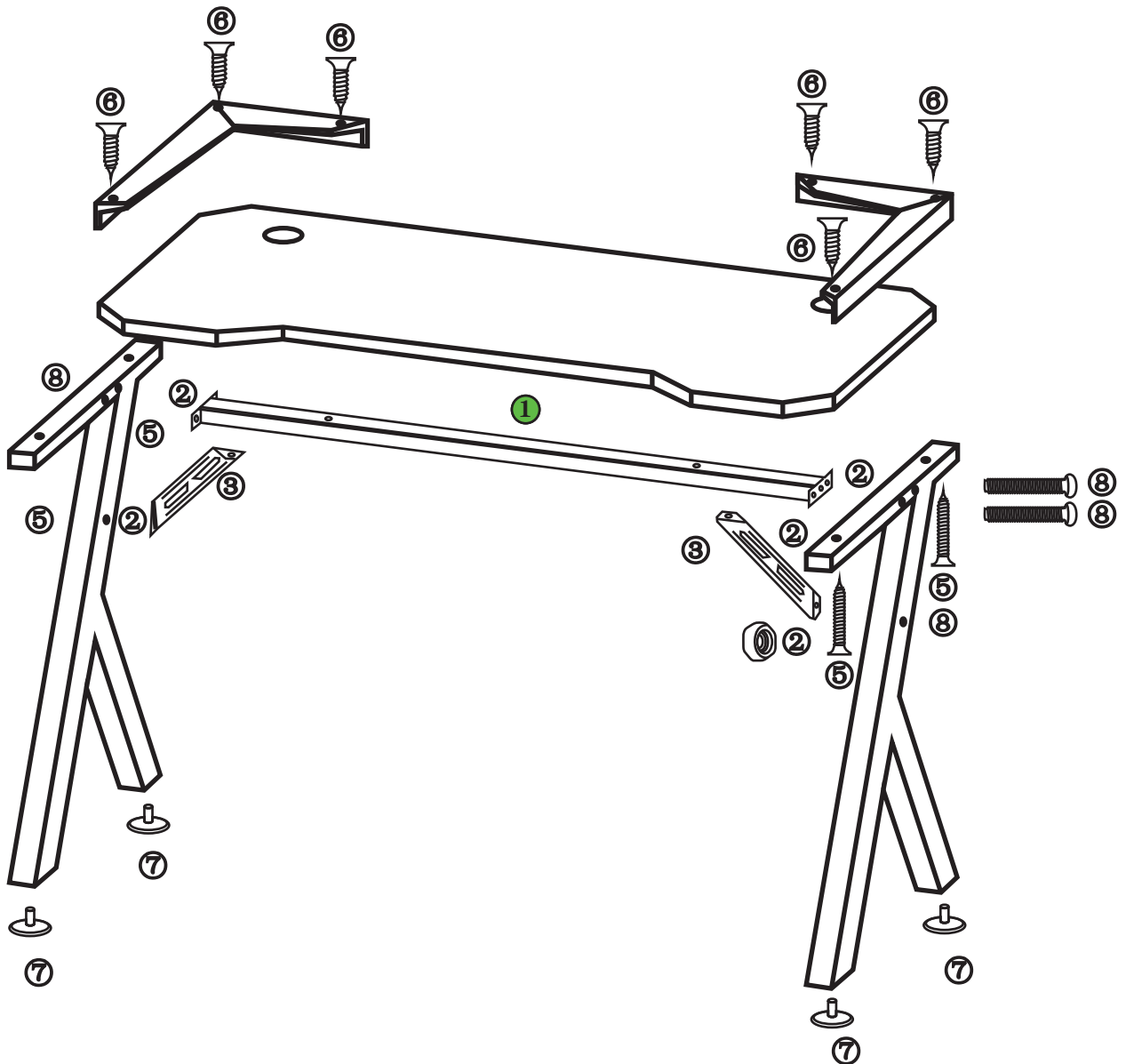
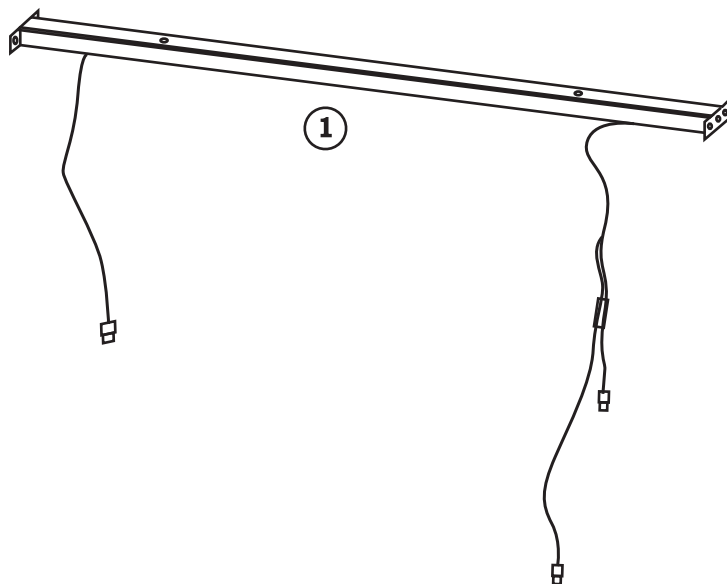


# Gaming Desk Assembly Instruction

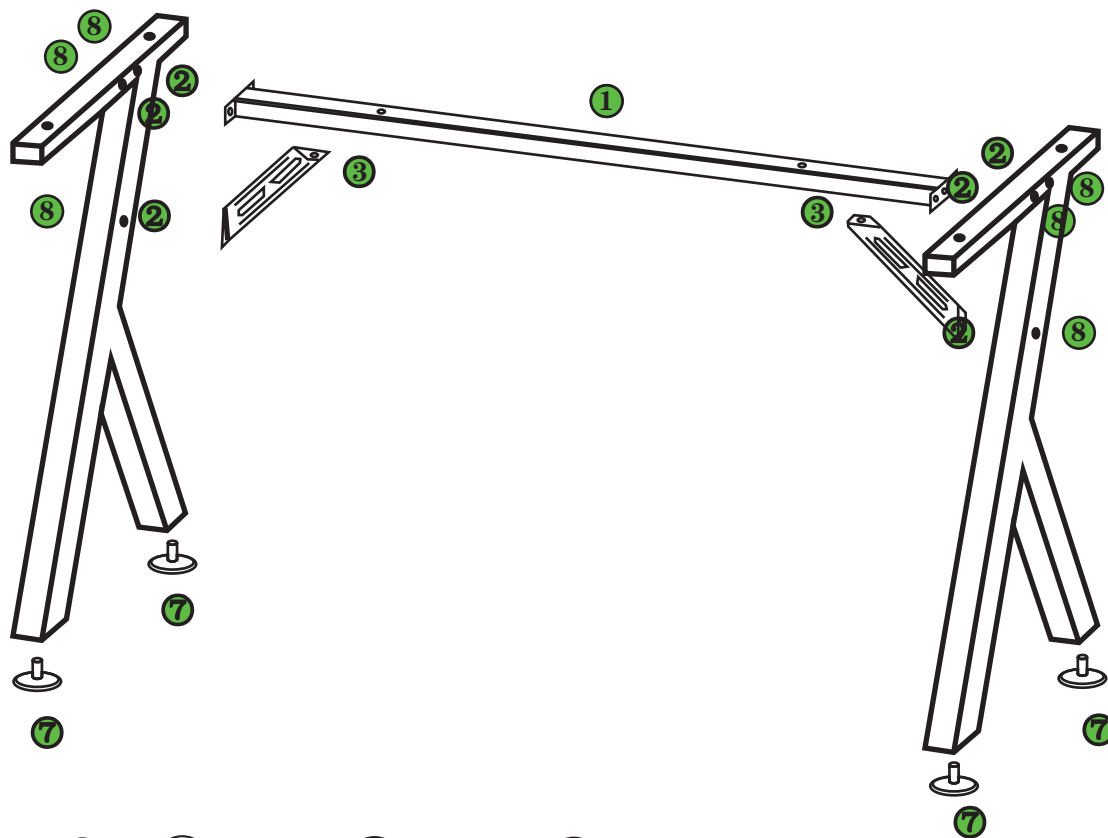
<p>①</p> 	<p>②</p>  X6 8mm	<p>③</p>  X2 8*20	<p>④</p>  X2 6*25	
<p>⑤</p>  X4 M4*40	<p>⑥</p>  X6 M4 *16	<p>⑦</p>  X4 40*30	<p>⑧</p>  X6 8*50	
				



# Step 1

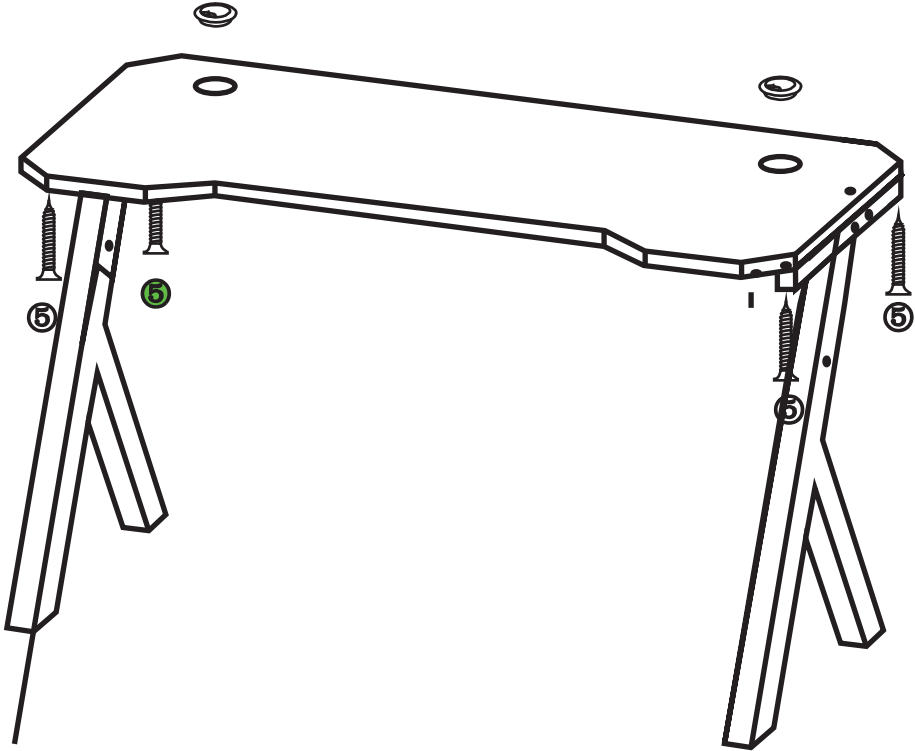


# Step 2



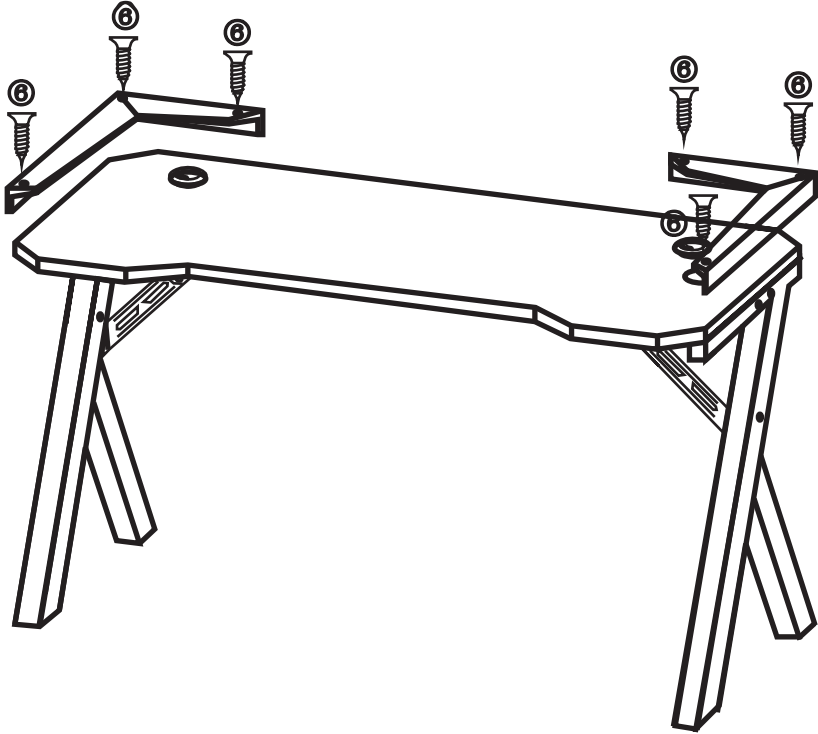
② x6    ③ x2    ⑦ x4    ⑧ x6

### Step 3



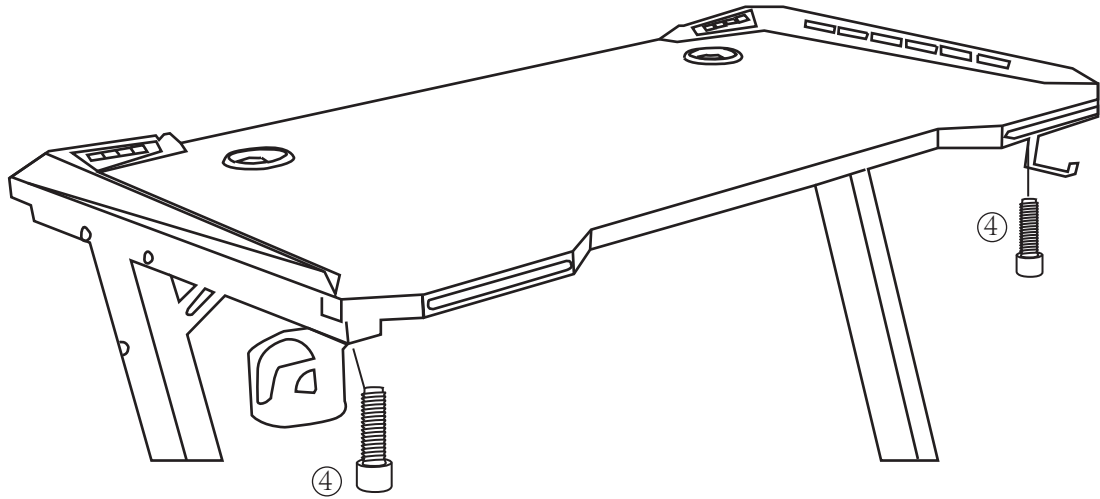
⑤ x4

### Step 4



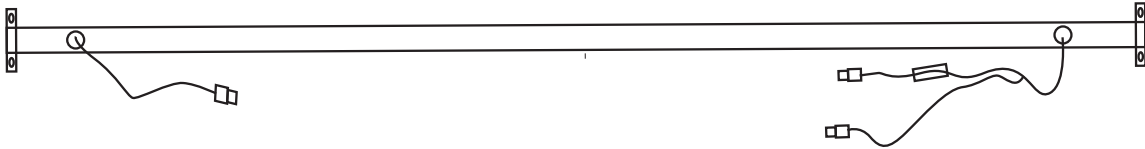
⑥ x6

# Step 5

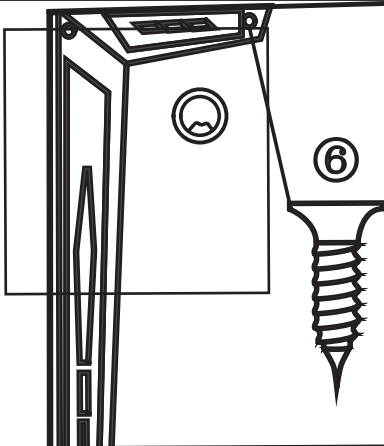


④ x2

## LED Assembly Steps



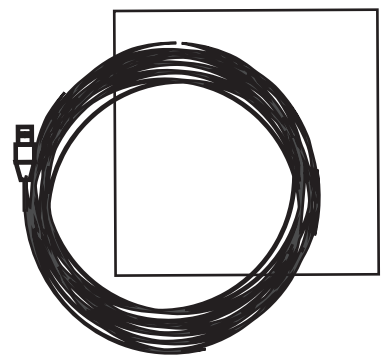
1. Insert connector wire through the hole to hide, in order to avoid the wires jumbled outside



2. Lock the shells onto Gaming Desk top



3. the shells onto Gaming Desk top  
Stick wire clip to the desk bottom,  
and put wire into clip



4. Complete