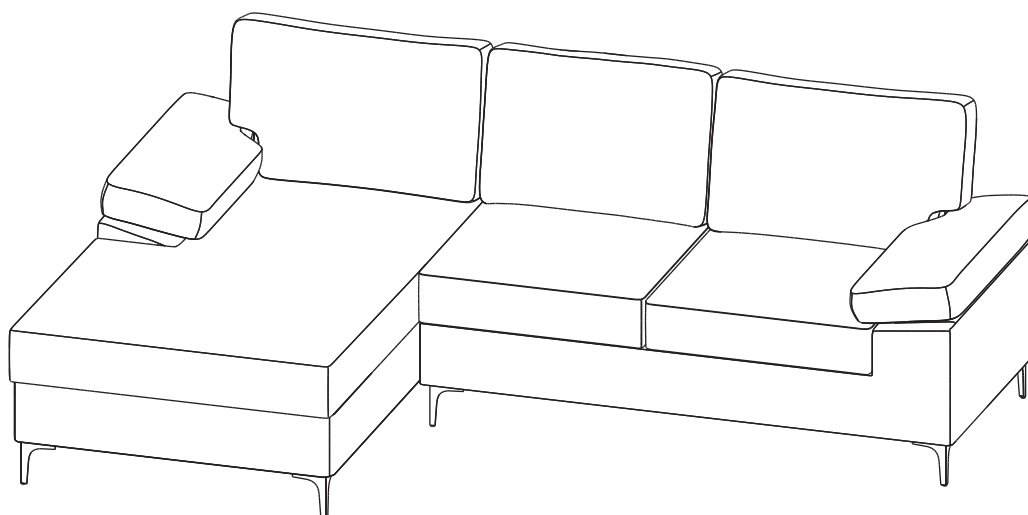
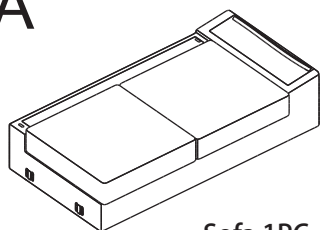


ASSEMBLY INSTRUCTIONS



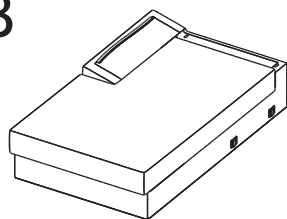
PART LIST

A



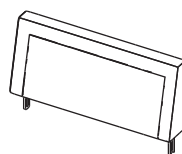
Sofa 1PC

B



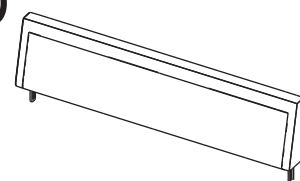
Chaise 1PC

C



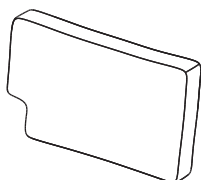
Back Frame 1 PC

D



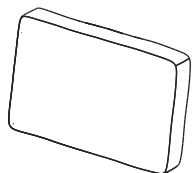
Back Frame 1 PC

E



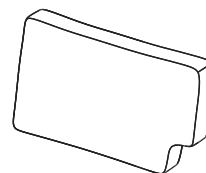
Back Cushion 1 PC

F



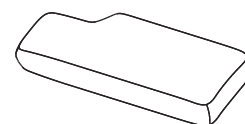
Back Cushion 1 PC

G



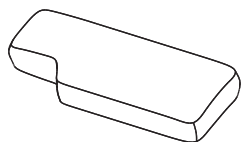
Back Cushion 1 PC

H



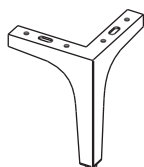
Left Arm 1 PC

I



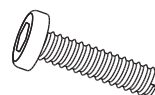
Right Arm 1 PC

J



LEG 8 PCS

K



Blot 16 PCS

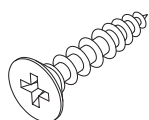
L



Washer 16 PCS

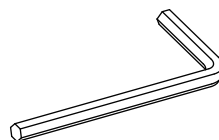
M

Note: When the bolt (K) cannot be used, please use the screw (M) to fix the leg (J) .



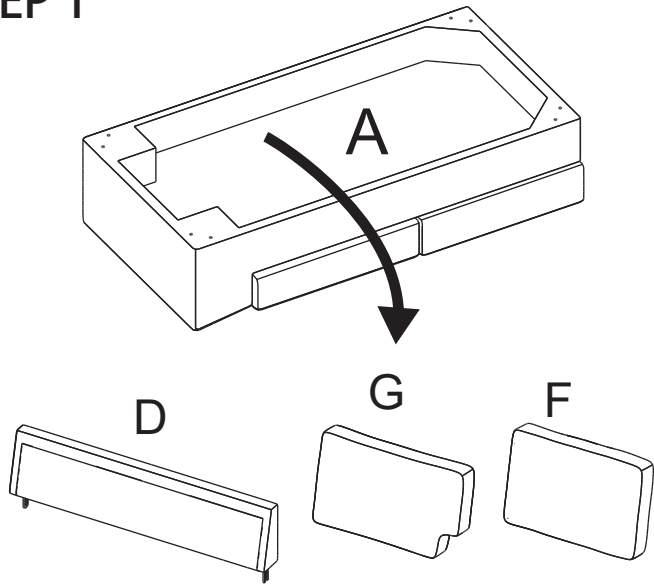
Screw 16 PCS

N

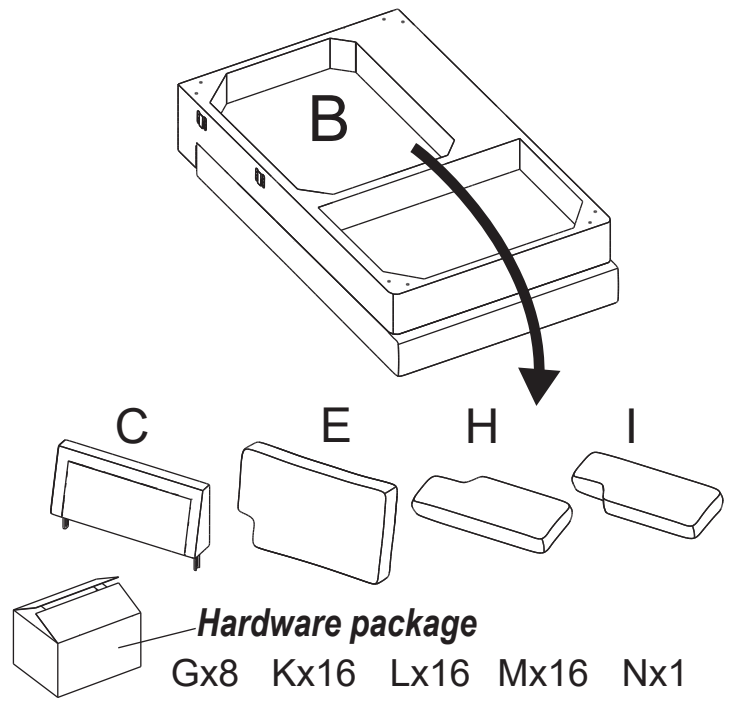


Allen key 1 PC

STEP 1

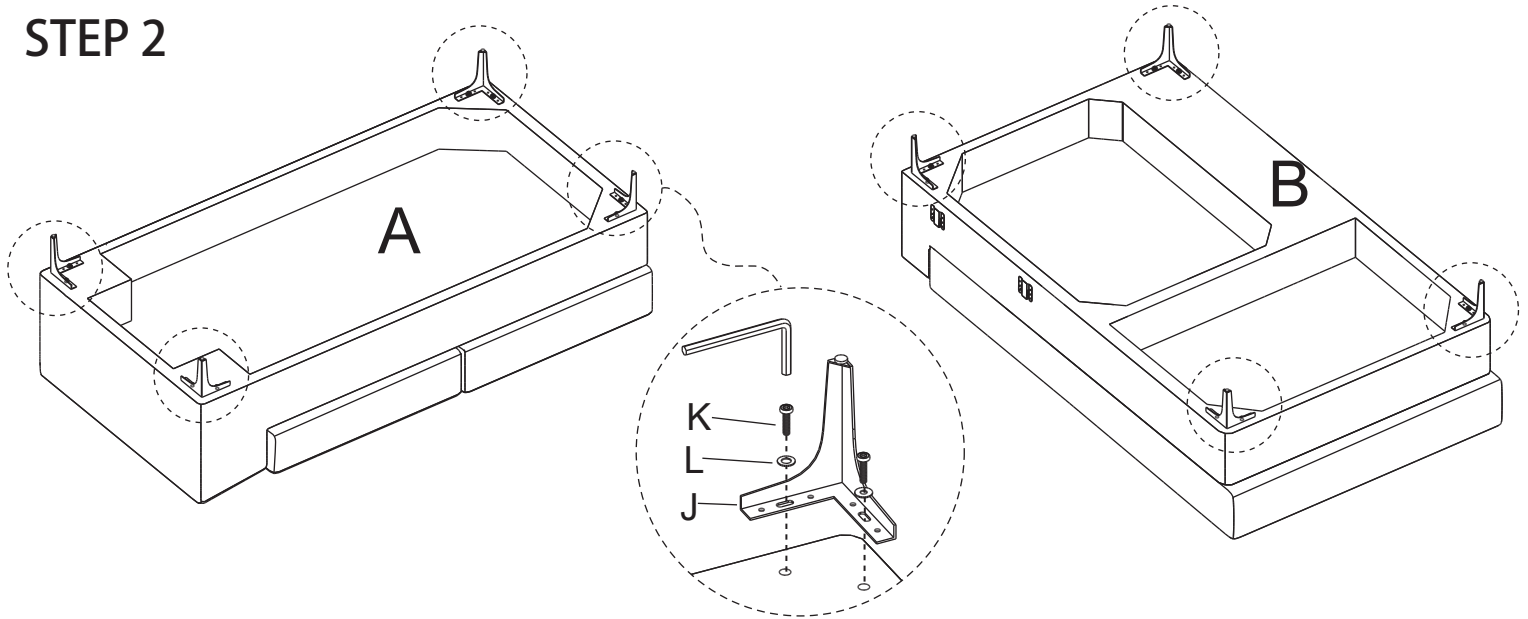


in Carton 1/2

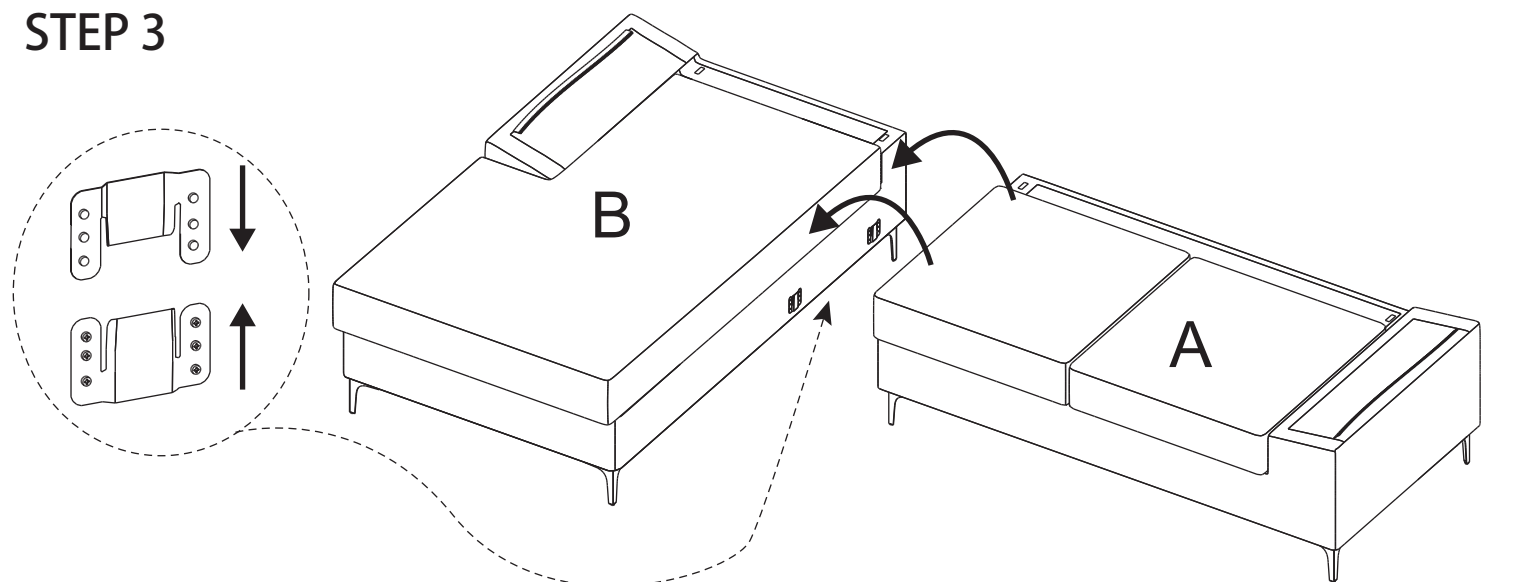


in Carton 2/2

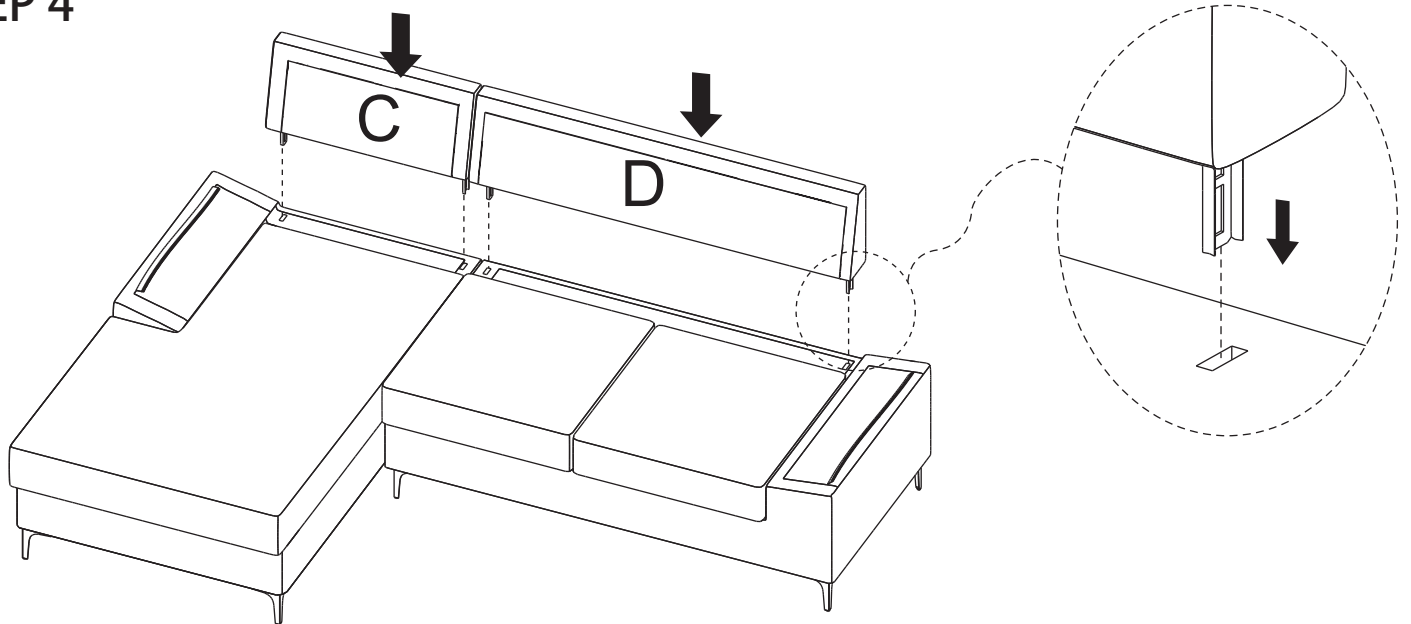
STEP 2



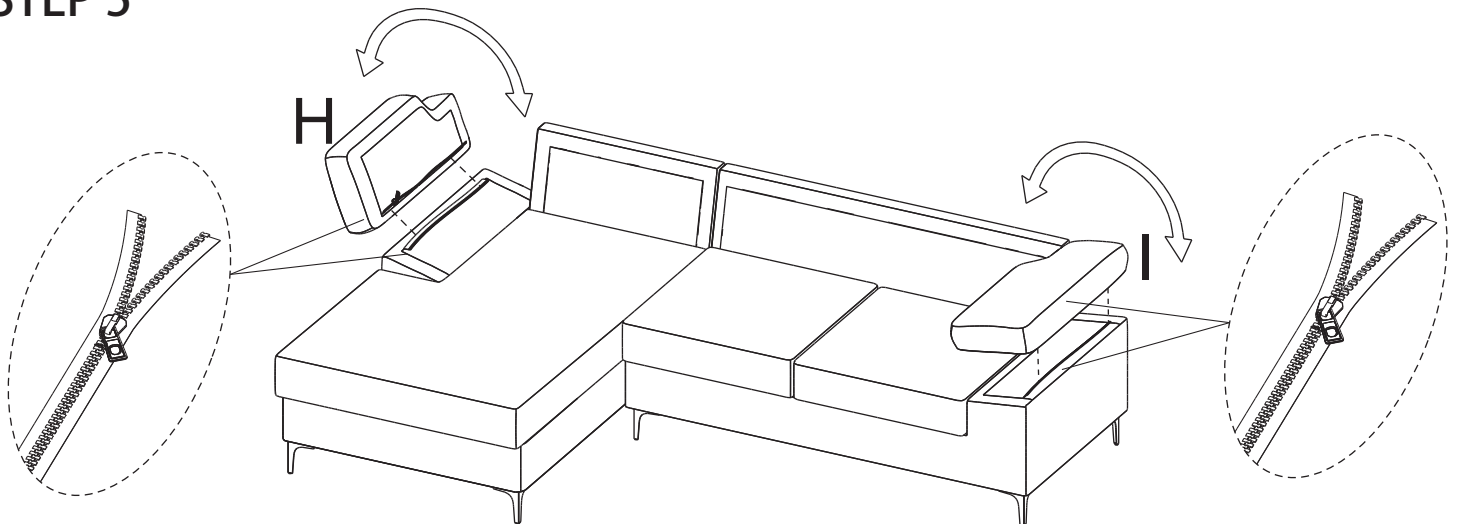
STEP 3



STEP 4



STEP 5



STEP 6

