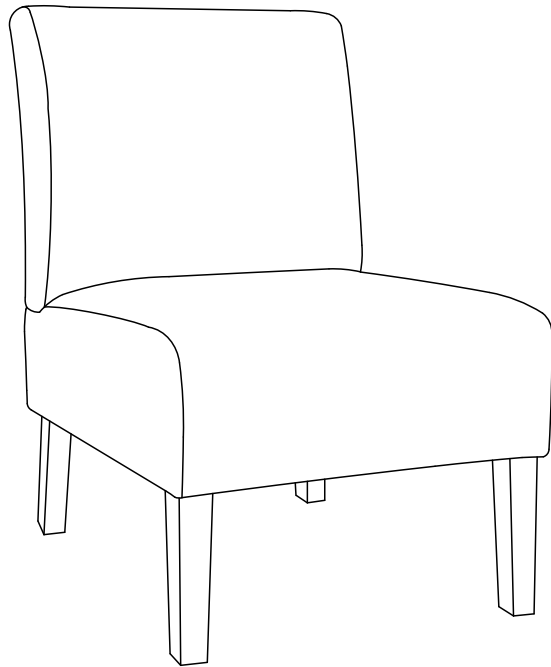


ARMLESS ACCENT CHAIR

(Model # 591721)

Assembly Instructions

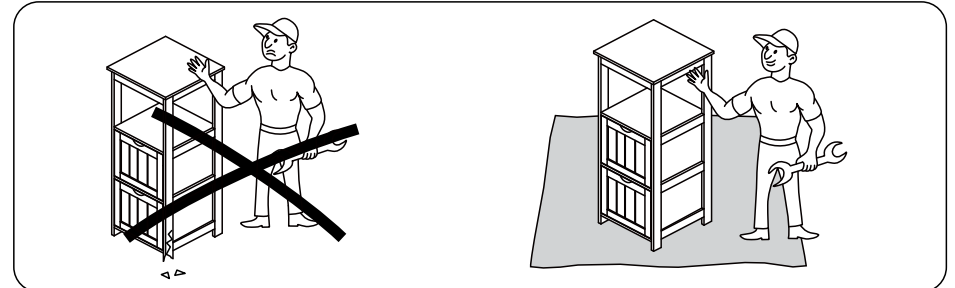
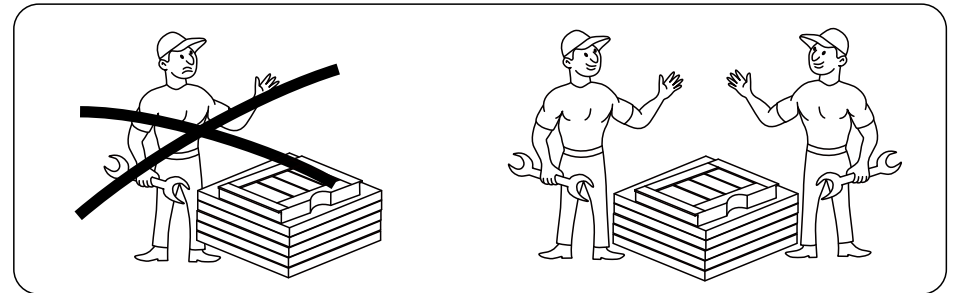


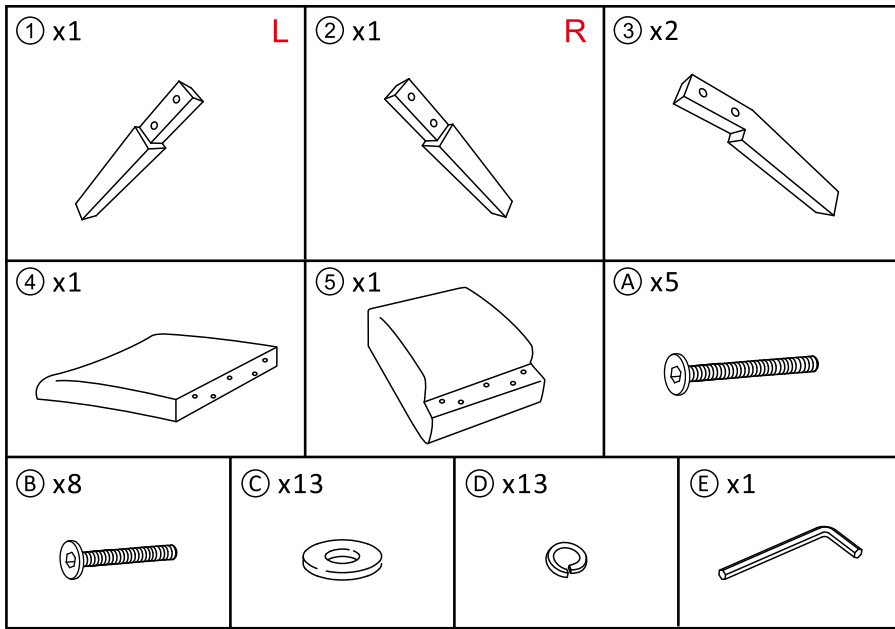
Dear Customers,

Thank you for purchasing our product. Please read this instruction manual carefully after receiving this product. It will help you assemble this product quickly, safely and correctly. You can keep this manual for future reference.

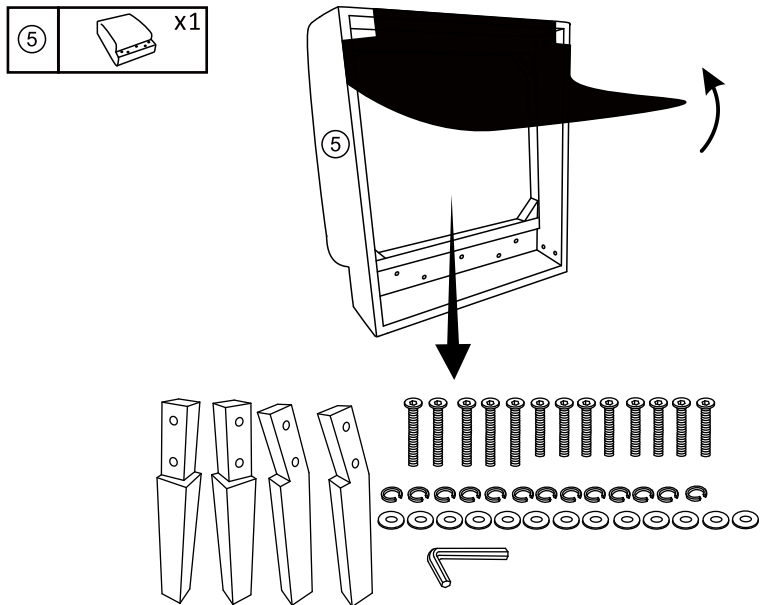
USAGE AND SAFETY INSTRUCTION

- Please read the following instructions carefully and use the product in accordance with the manual.
- Keep the instruction well. Please give the product along with the Installation and Operating Instructions, if it is for other people to use.
- The warnings, cautions, and instructions listed in this manual may not cover all possible situations that may arise when using the product. Please contact us via e-mail info@yahee.com.cn if you need further information or help.
- This product is not a climbing frame for children's play, which could result in injury. Please do not leave children unattended.
- Check the item for possible damages before use. Do not use it if it is bent, cracked, or damaged.
- Improper loading can cause a tilt of the item.
- The normal functioning of the product can be guaranteed when it is in a vertical and horizontal position. Please always position the product on a level surface.
- Do not place the product near the fire or heat sources! Caution Fire Hazard
- Be careful of your hands when setting up! We recommend wearing protective gloves for assembly.
- Do not use corrosive cleaners for cleaning!



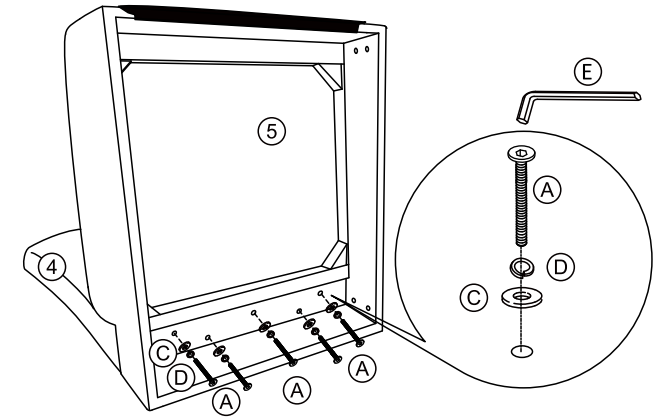
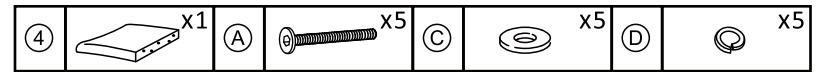


1

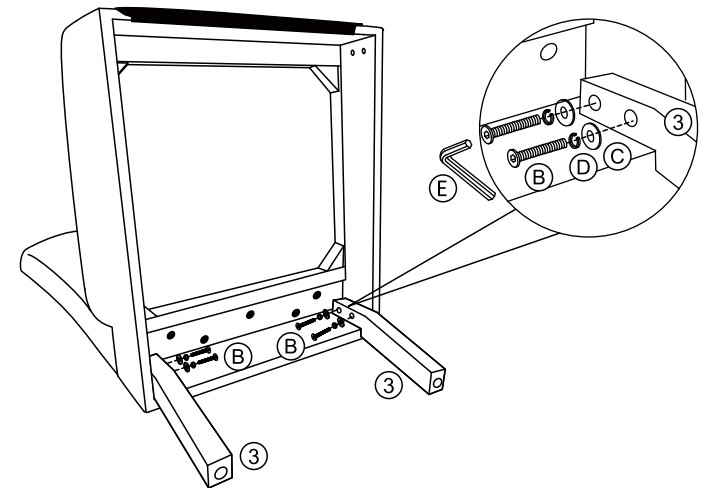
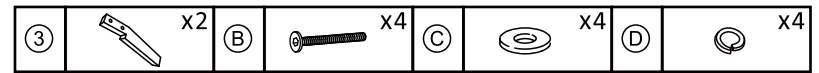


3/6

2



3



4/6

Thank you for purchasing a Yaheetech product!

At Yaheetech, we are dedicated to bringing you the best online shopping experience and making your life comfortable. We pride ourselves on an integrated supply chain team that works meticulously to deliver you products and service with greatest value. Our networks span across the US, the United Kingdom, Germany, France and six more European countries. It is always our belief that how customers view our business and service ultimately defines our brand.

So, how did we do? Please let us know by making an online remark about it.

😊 **Good job.** Would you like to share your experience to assist others with their shopping decisions?

😞 **Not good.** Can you give us a chance to fix the problem?






You can also get a downloadable user manual by scanning the QR code below.

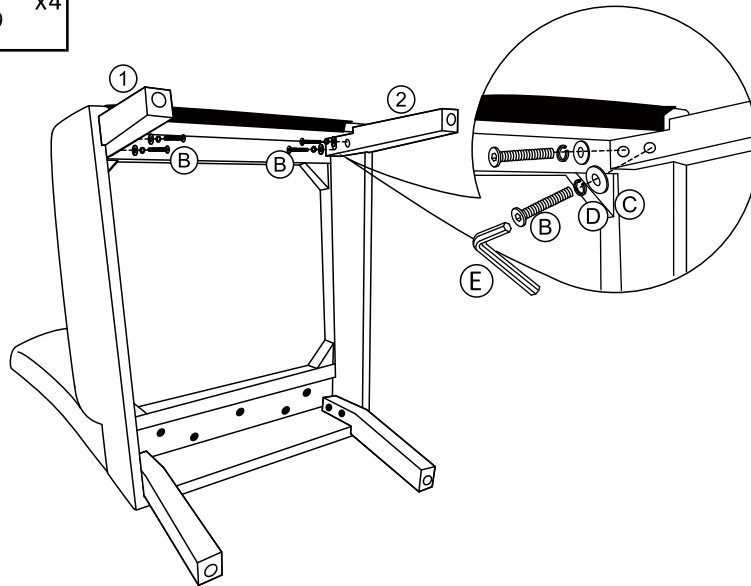


591721

www.yaheeshop.com/pdf/en-1-5011666.pdf

4

①		x1	②		x1	(B)		x4	(C)		x4
(D)		x4									



5

