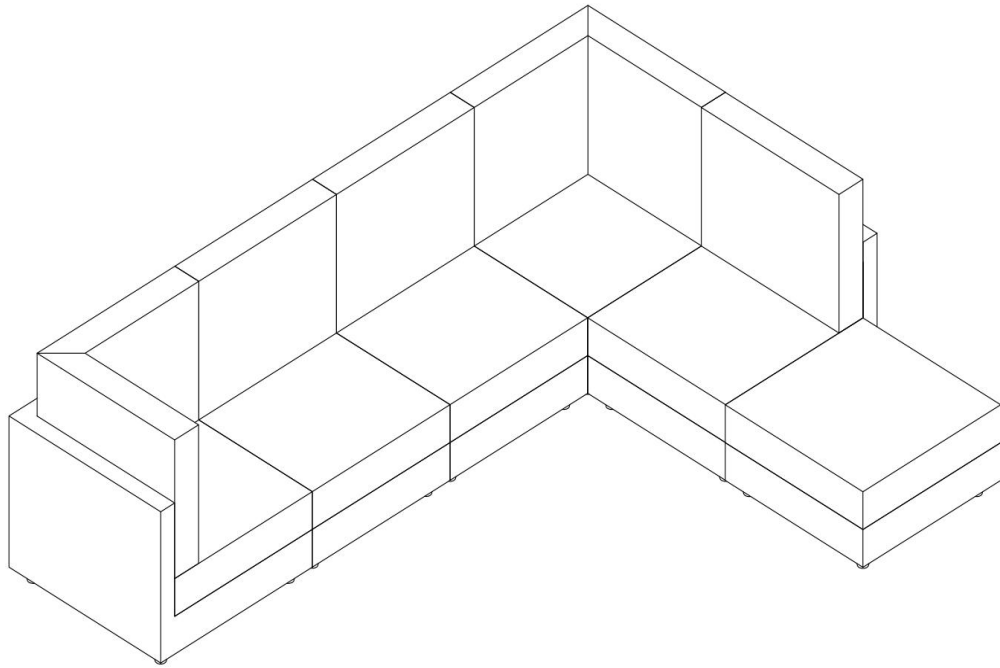




ABBYSON HOME™

**Brentwood 6-Piece Fabric Modular Sofa  
SW-801**

## ASSEMBLY INSTRUCTIONS



**Est. Assembly Time: 20~30 minutes**



**Number of People: 1~2 person**

Page 1 / 7

*For assistance with assembly or customer service, please contact the Abbyson Customer Experience Team  
Toll Free at 1-888-406-0838*

**[www.abbyson.com](http://www.abbyson.com)**

**IMPORTANT SAFETY INSTRUCTIONS:**

- Read all instructions carefully before unpacking assembly parts. Sharp, exposed staple tips can cause injury. For your protection, please remove any exposed staples used in packing.
- For your safety, assembly by two or more adults is recommended.
- Use only vendor supplied hardware to assemble. Using unauthorized hardware could jeopardize the structural integrity of the item.
- Keep instructions for future use.
- Intended for residential use only.
- Keep small parts and hardware out of the reach of children.

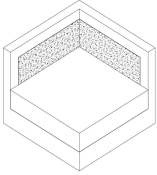
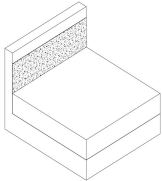
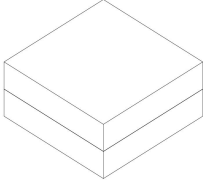
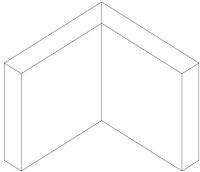
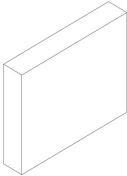

**PRE-ASSEMBLY INSTRUCTIONS:**

- Remove all parts and hardware from the box and place them on a carpeted or scratch-free work surface.
- To avoid accidentally discarding small parts or hardware, please do not dispose of any contents until assembly is complete.
- Prior to starting assembly, use the parts and hardware lists to identify and separate each of the pieces
- Do not over-tighten screws or bolts.

**TABLE OF CONTENTS**

<b>Parts List</b>	<b>Page 3</b>
<b>Assembly Instructions</b>	<b>Pages 4-5</b>
<b>User Manual</b>	<b>Page 6</b>
<b>Care &amp; Maintenance &amp; Warnings</b>	<b>Page7</b>

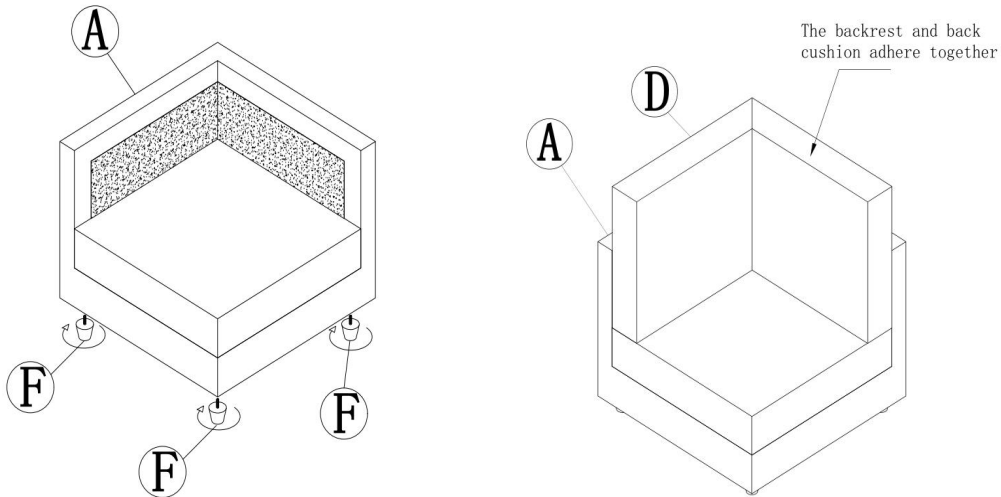
## PARTS LIST

PART #	PICTURE	PART DESCRIPTION	INTERNAL #	LOCATION	QTY
<b>A</b>		Corner Chair	N/A	Directly in carton	2
<b>B</b>		Armless Chair	N/A	Directly in carton	3
<b>C</b>		Ottoman	N/A	Directly in carton	1
<b>D</b>		Corner Chair Cushion	N/A	Directly in carton	2
<b>E</b>		Armless Chair Cushion	N/A	Directly in carton	3
<b>F</b>		Leg	N/A	Directly in carton at the bottom of sofa	24

## STEPS

Step 1: Open carton boxes, take out legs. Attach the legs on chair by turning them in the direction below.

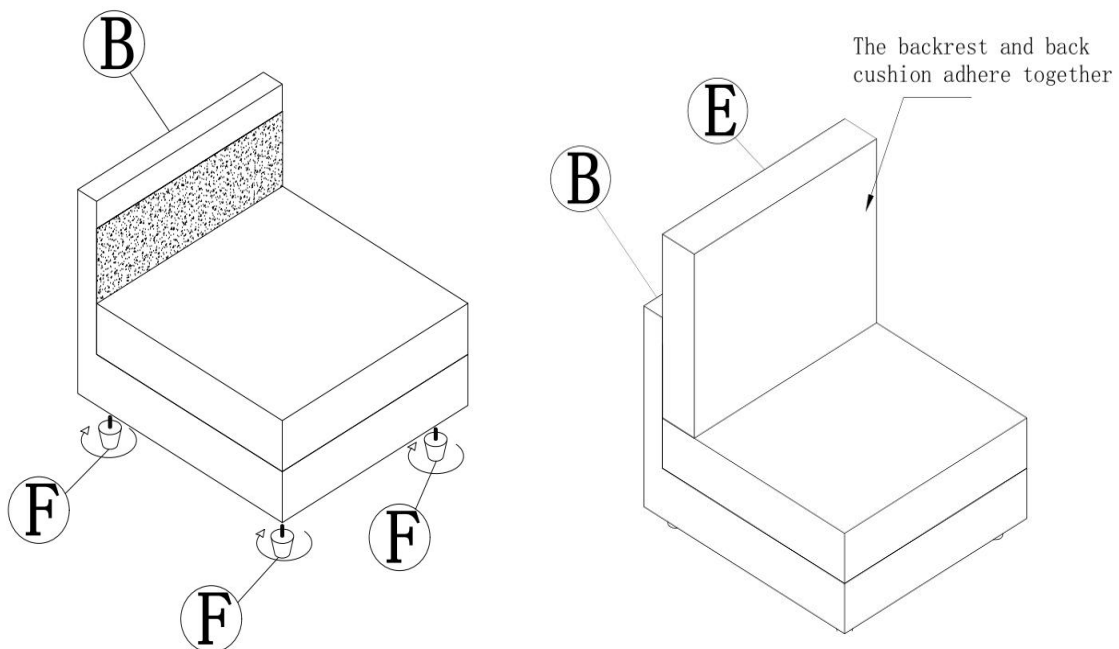
Step 2: Take out corner chair cushion. The backrest and back cushion adhere together.



## STEPS

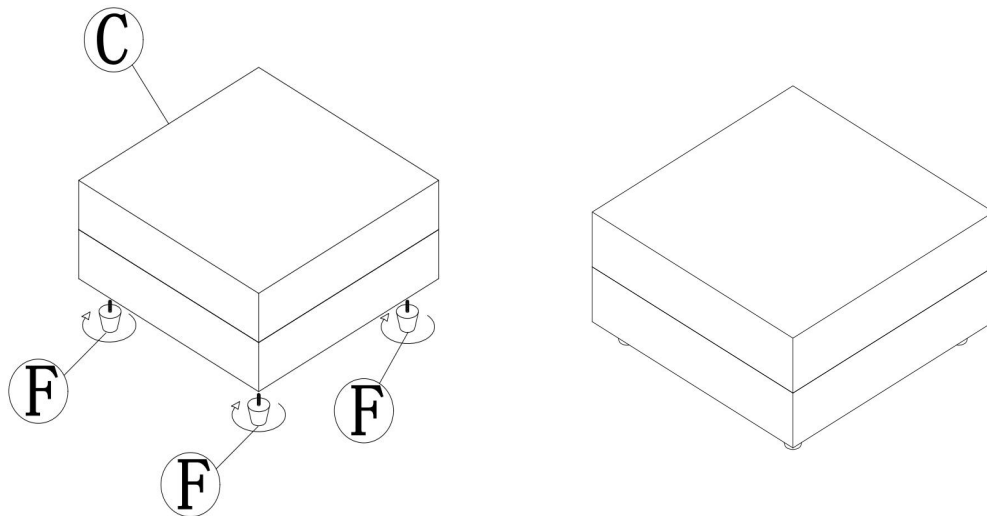
Step 3: Open carton boxes, take out legs. Attach the legs on chair by turning them in the direction below.

Step 4: Take out armless chair cushion. The backrest and back cushion adhere together.



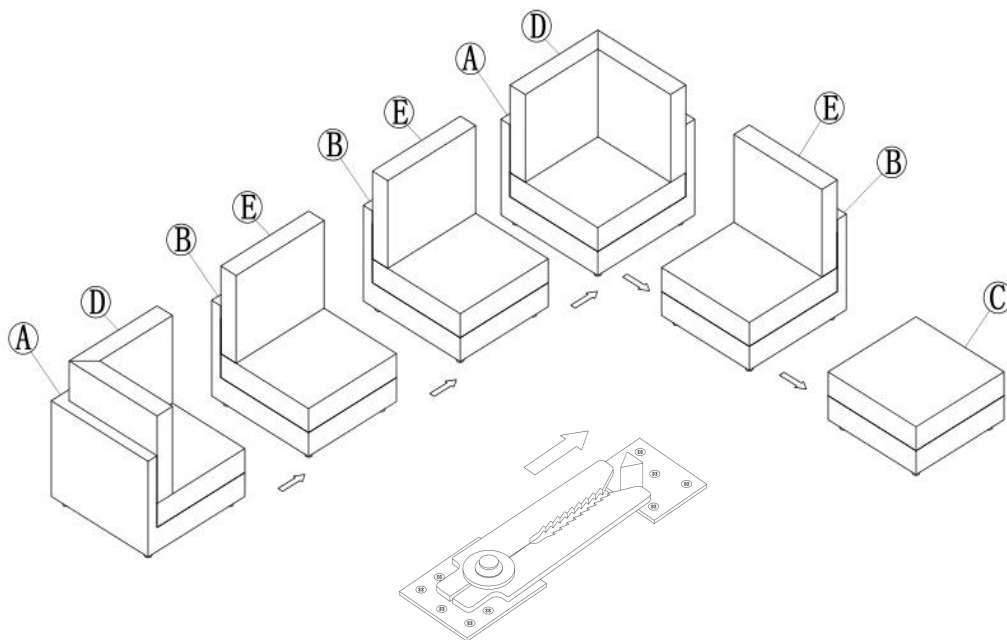
## STEPS

Step 5: Open carton boxes, open the zipper from the bottom of the chair and take out legs. Attach the legs on chair by turning them in the direction below.



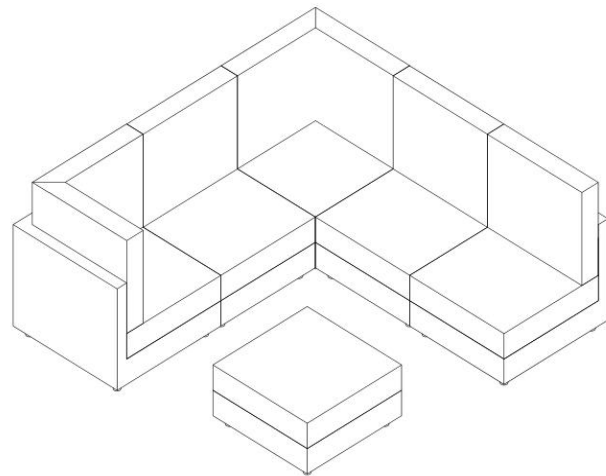
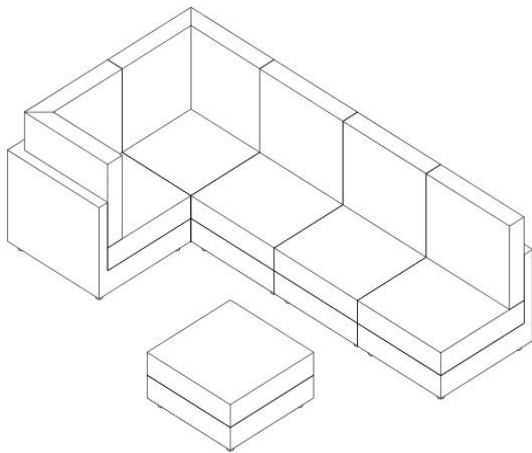
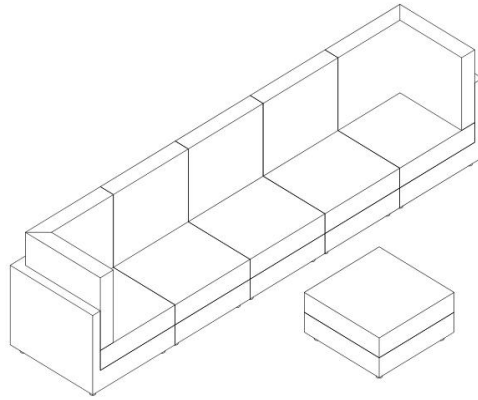
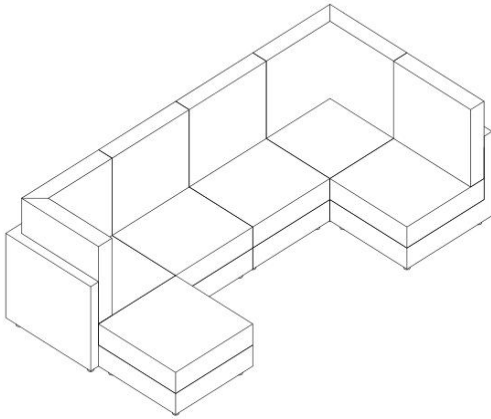
## STEPS

Step 6: Arrange the 6 pcs in the order you desire and connect by aligning the clips and connecting them firmly in place.



## USER MANUAL - Placement method

Modular sofa can be arranged in different styles to your liking.





## CARE & MAINTENANCE



### Fabric Care Tips

- . Fabric can fade when exposed to direct sunlight over a long period of time.
- . To minimize fading, avoid placing your furniture in direct sunlight.
- . Avoid cleaners which use chemical products. Many of these are harsh and not safe for use on upholstery.
- . Stress to the fabric may result in tears and when stretched, upholstery may not completely return to its
- . Avoid sitting in one area and use the seating areas evenly for even wear.
- . Fabric are not resistant to animals. Allowing pets on your upholstered furniture is not recommended.
- . If pillow cushions are sewn to the frame, any pulling or tugging may result in a tear.



## WARNING



- . Do not use this product unless all screws and bolts are securely tightened.
- . Check that all screws and bolts are secure every three months or as needed
- . Dispose of packing material properly. Do not use plastic cover as head covering as it may cause
- . Do not use this product as a stepladder.
- . Use this product for intended purpose only.
- . Intended for residential use only.

*Thank you for bringing Abbyson into your home. We truly appreciate your business.  
To discover more home furnishings that fit your style visit us at [Abbyson.com](http://www.abbyson.com).*