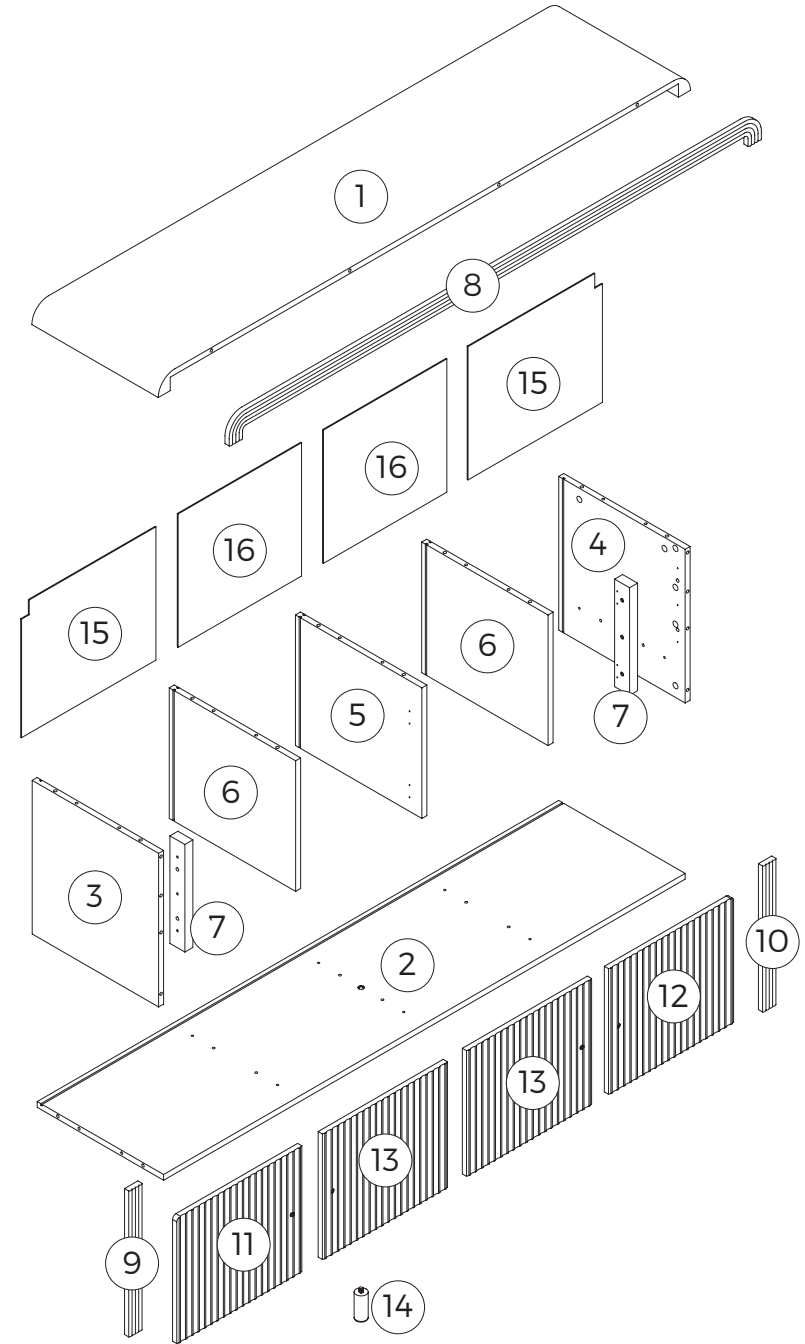
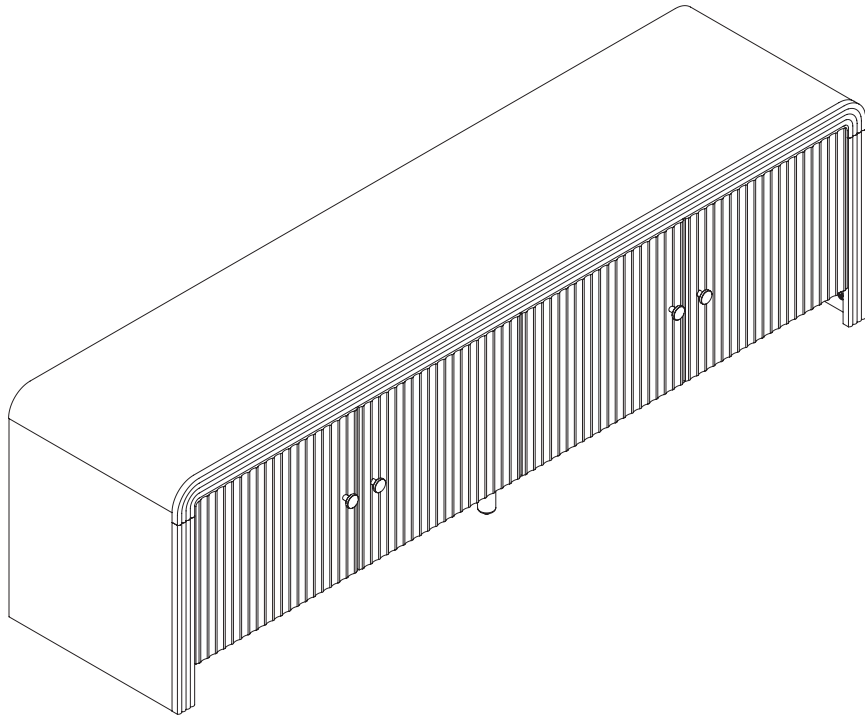
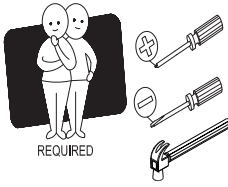
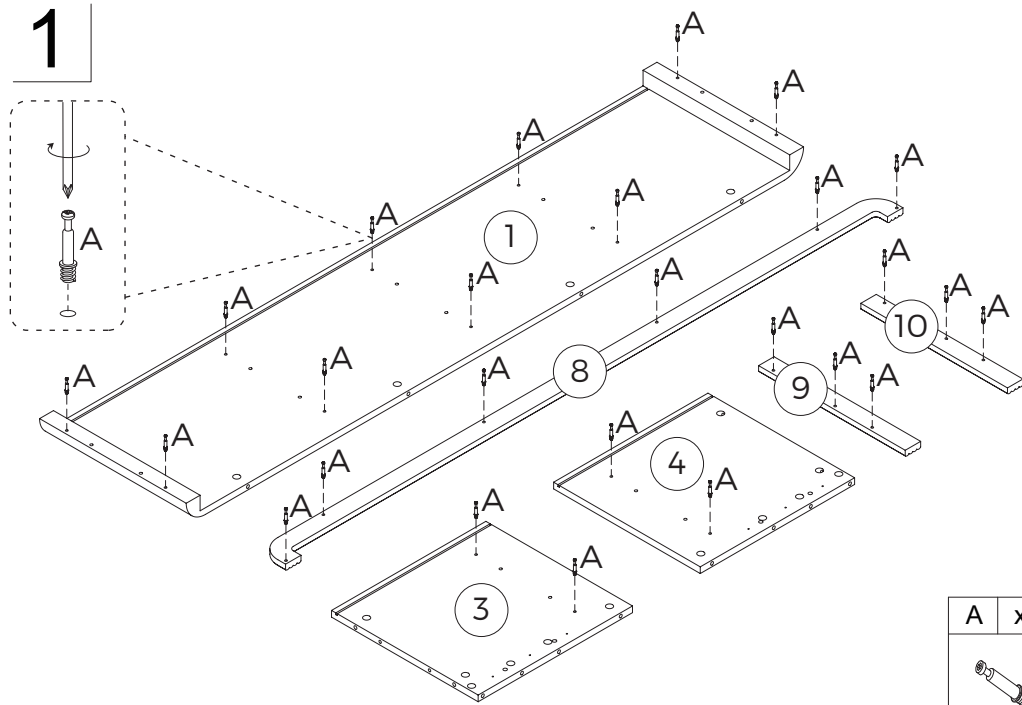


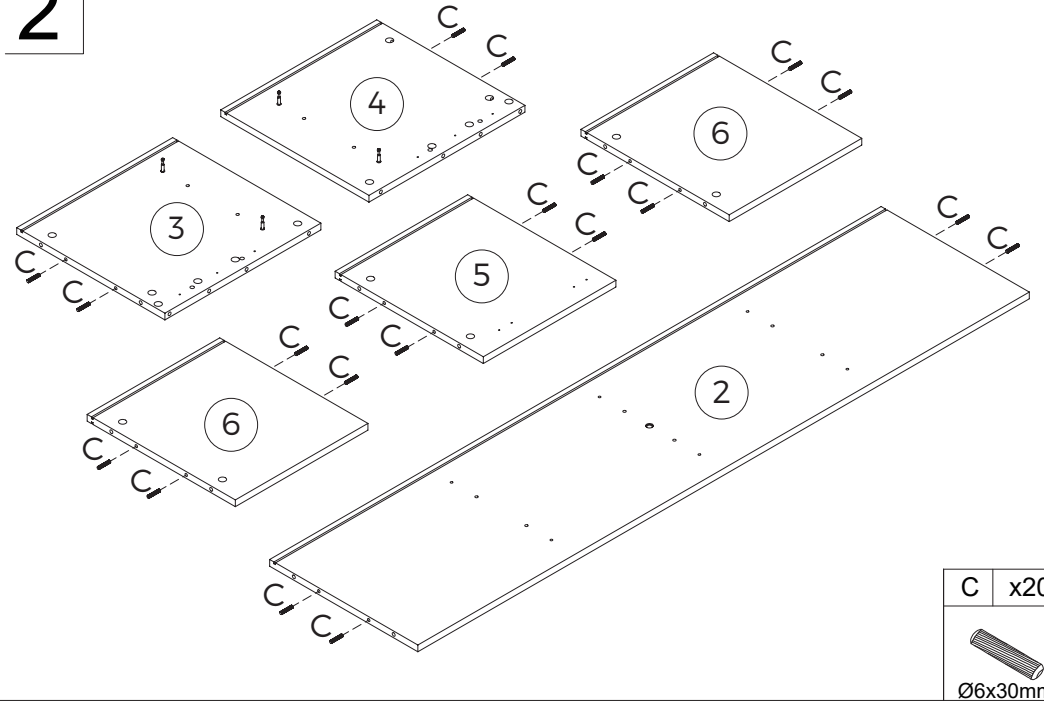
TWO PEOPLE



A	x26	B	x26	C	x20	D	x6	E	x4	F	x6	G	x4
		Ø6x30mm	4x40mm	Ø8x25mm	4x35mm	20mm							
H	x4	I	x1	J	x16	K	x4	L	x4	M	x32	N	x4
15mm		3x14mm		3.5x14mm									
O	x4	P	x2	Q	x2	R	x2	S	x2				
4x18mm		4x14mm		4x30mm									

**1**

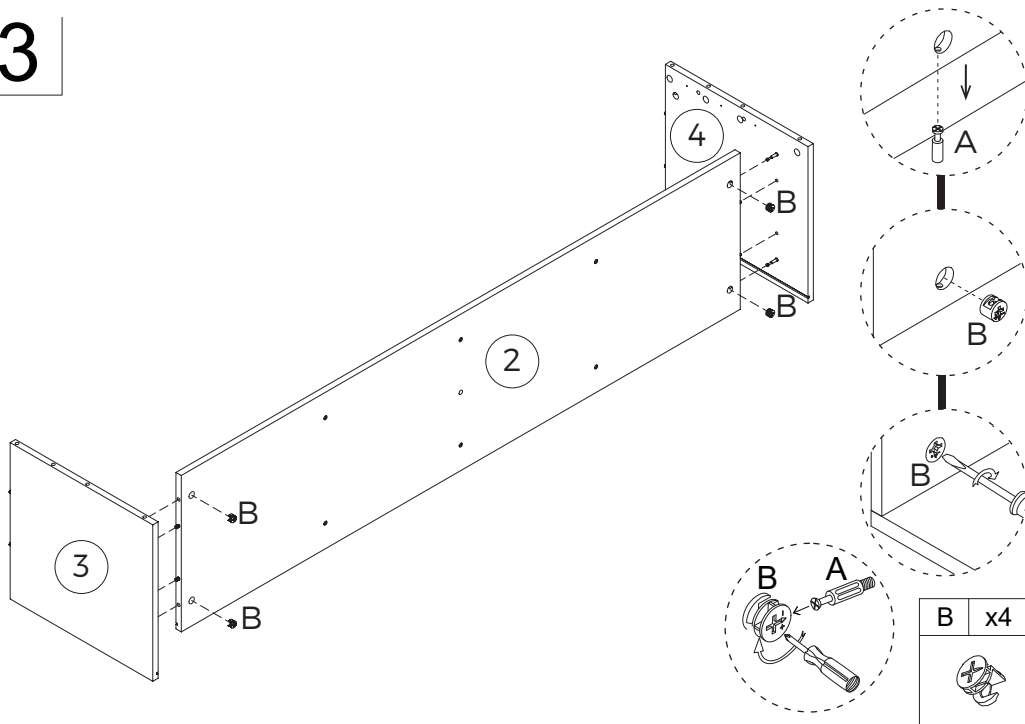
A x26

**2**

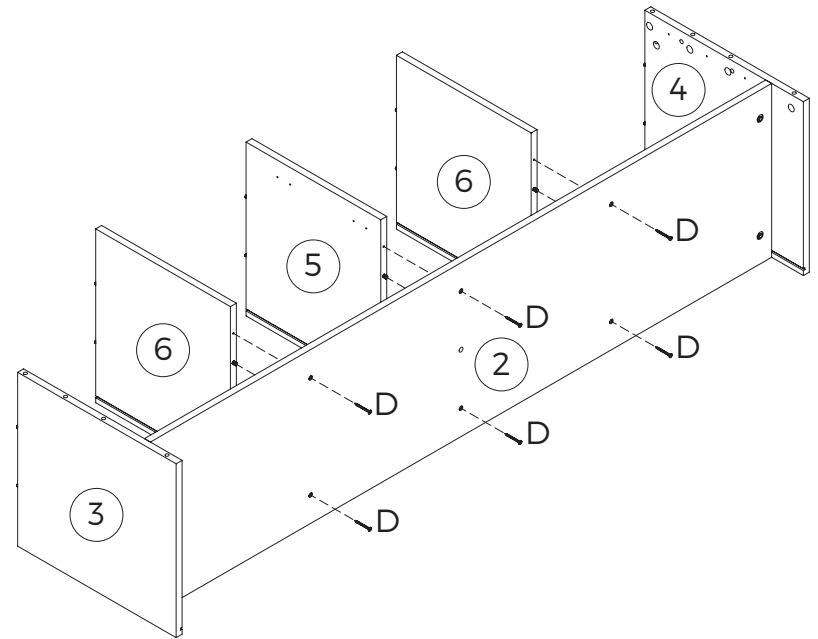
C x20



Ø6x30mm

**3**

B x4

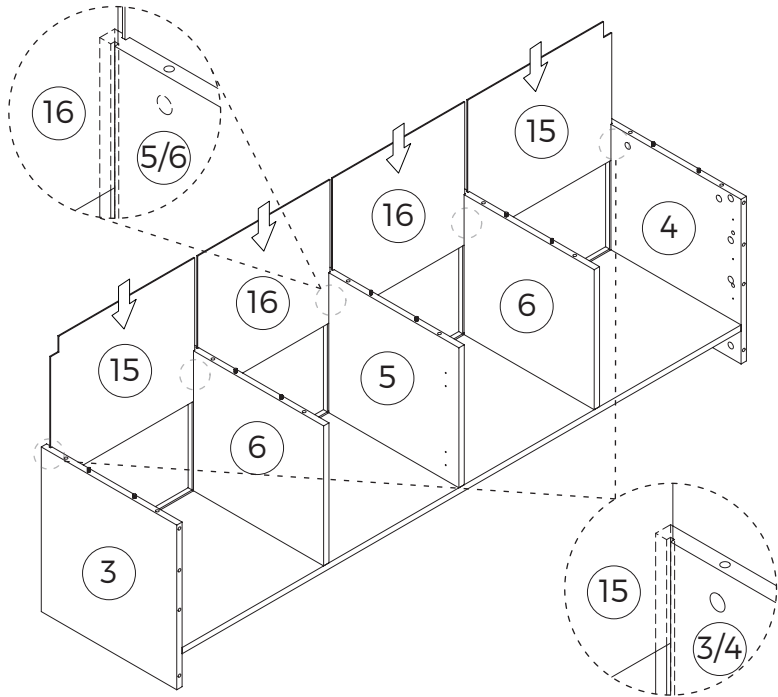
**4**

D x6

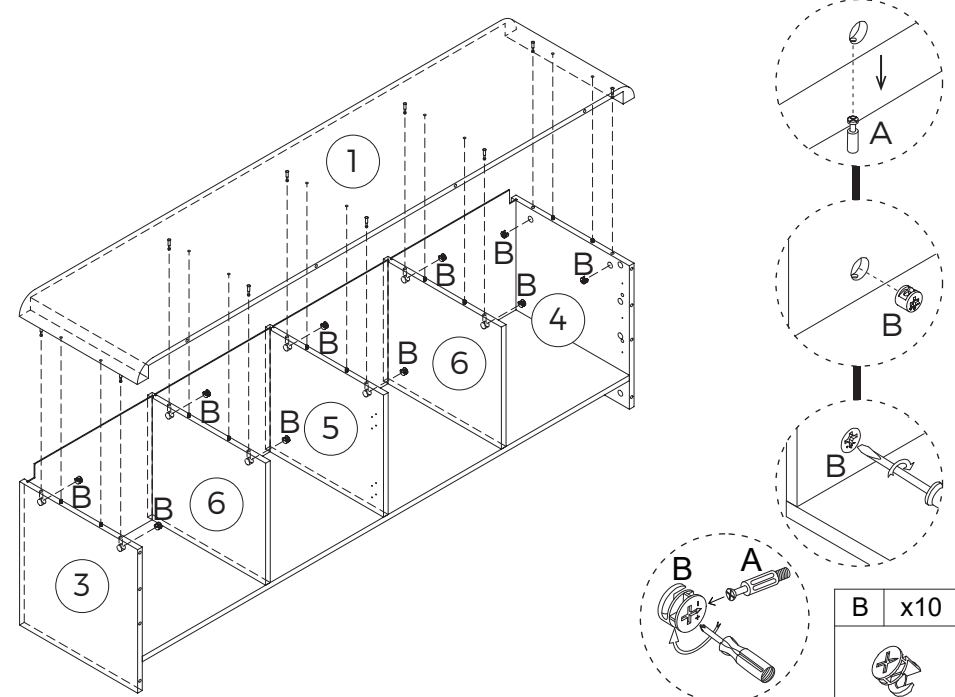


4x40mm

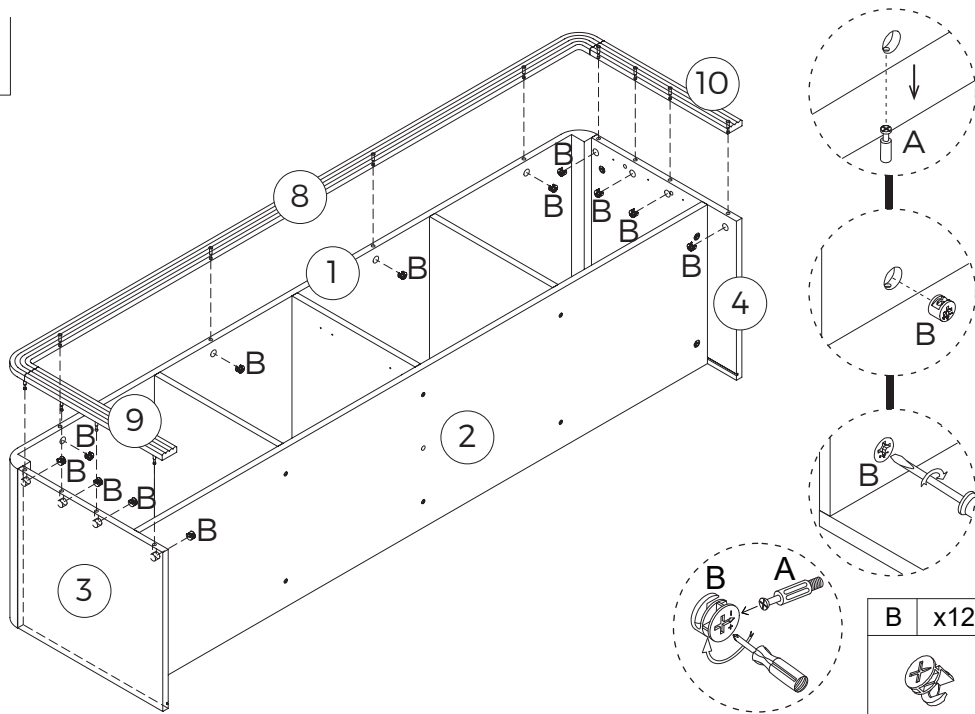
5



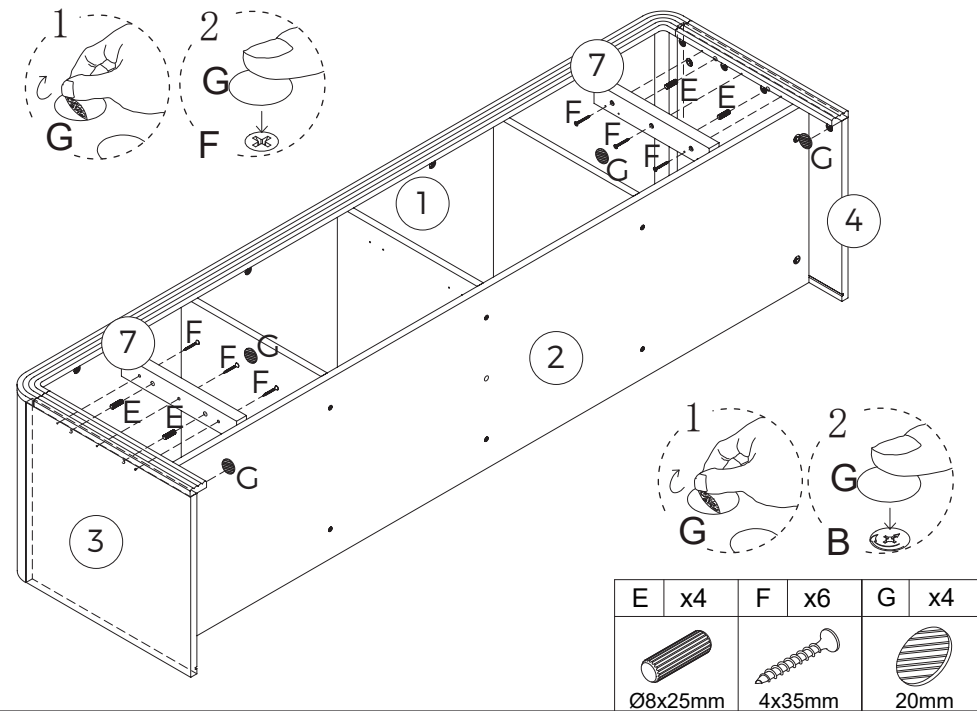
6



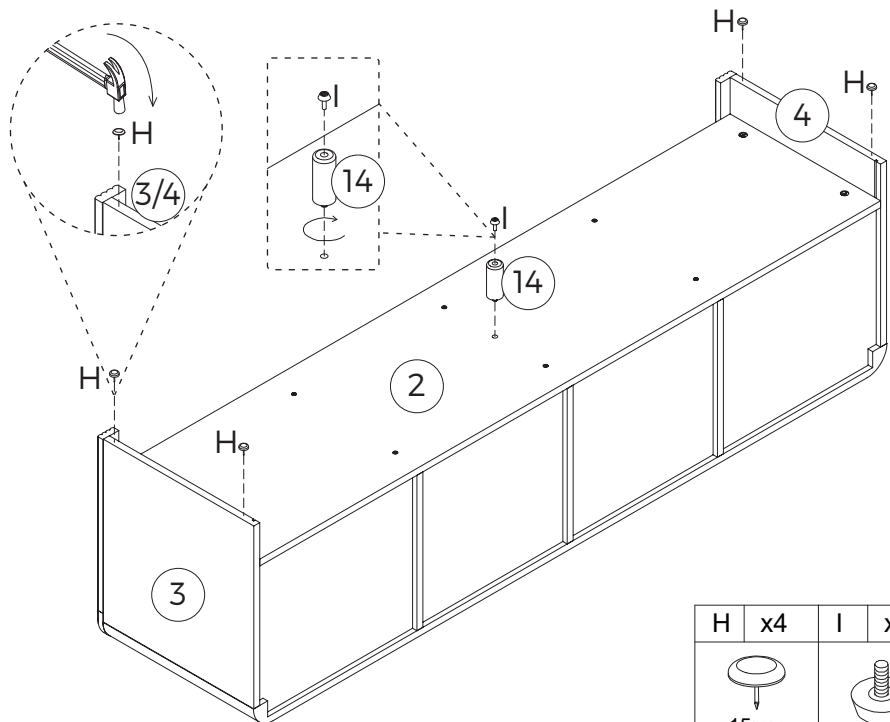
7



8

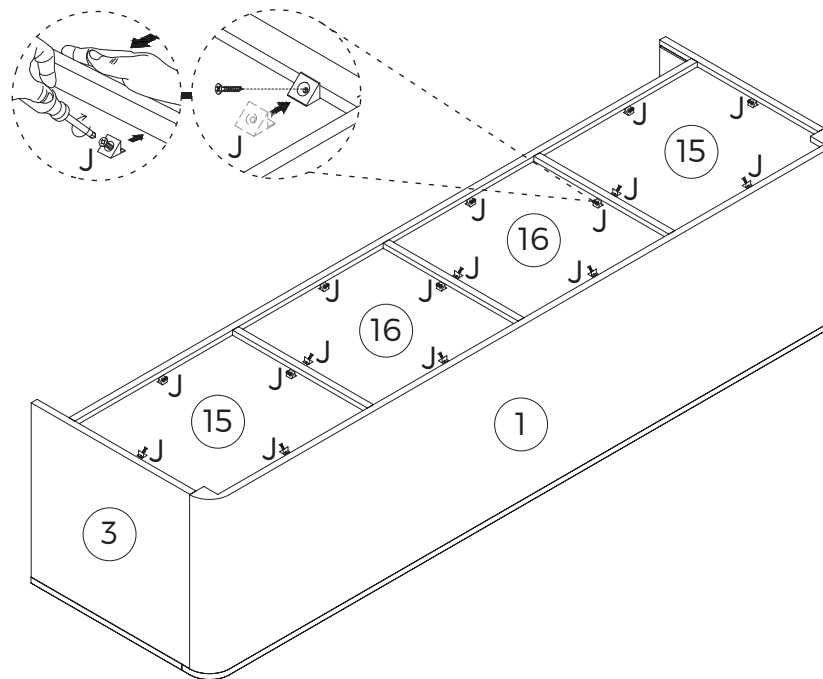


9



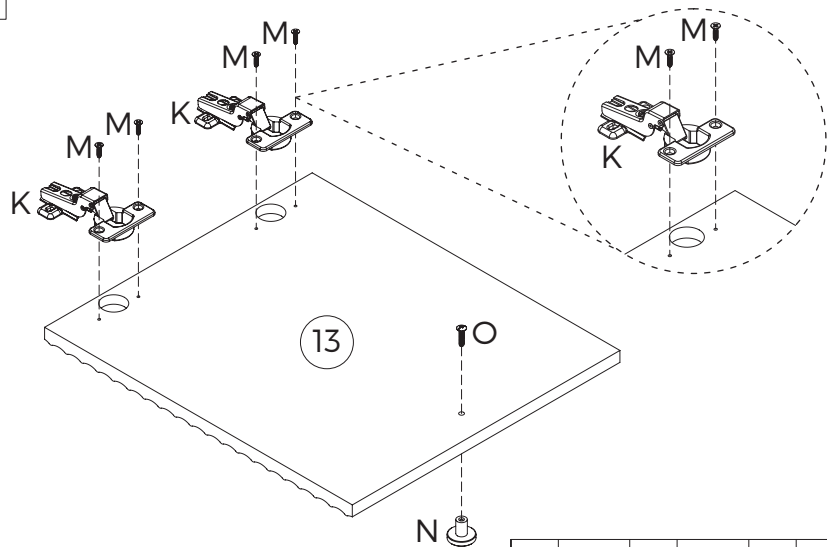
H	x4	I	x1
			15mm

10



J	x16
	3x14mm

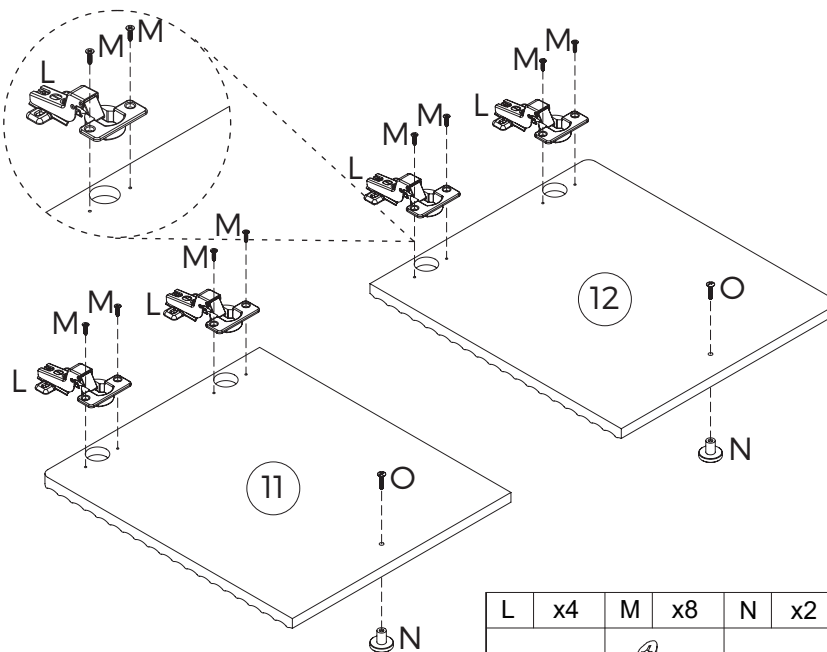
11



x2

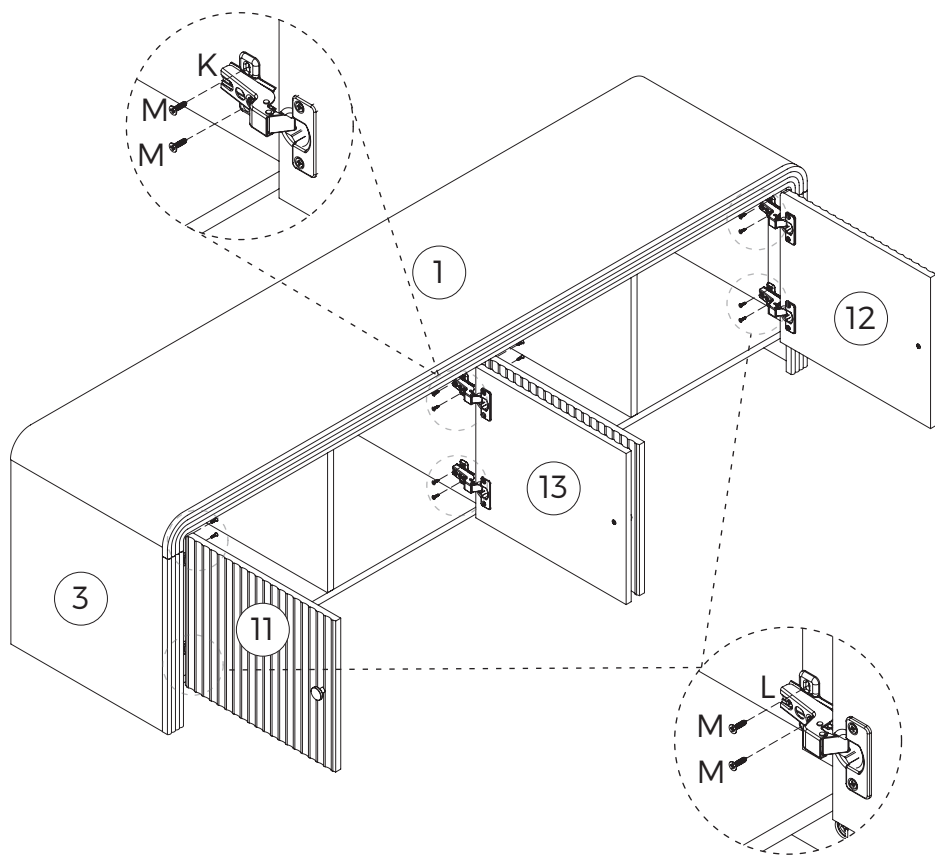
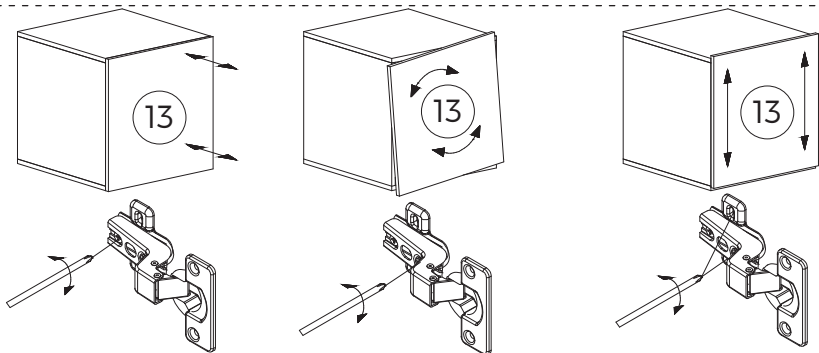
K	x4	M	x8	N	x2	O	x2
		3.5x14mm				4x18mm	

12



L	x4	M	x8	N	x2	O	x2
		3.5x14mm				4x18mm	

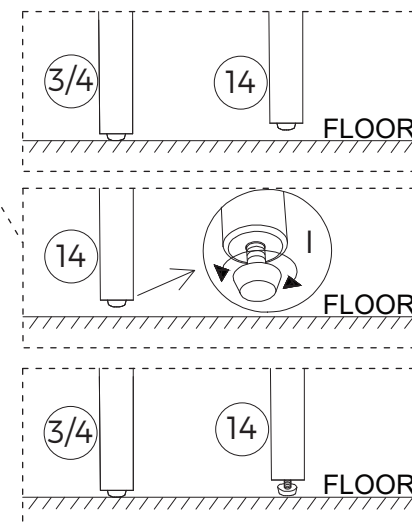
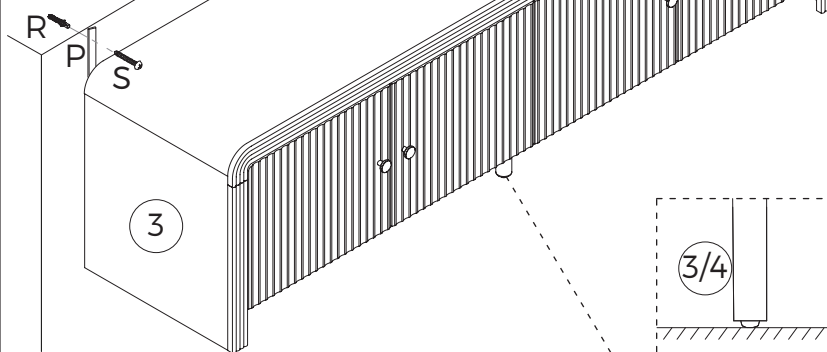
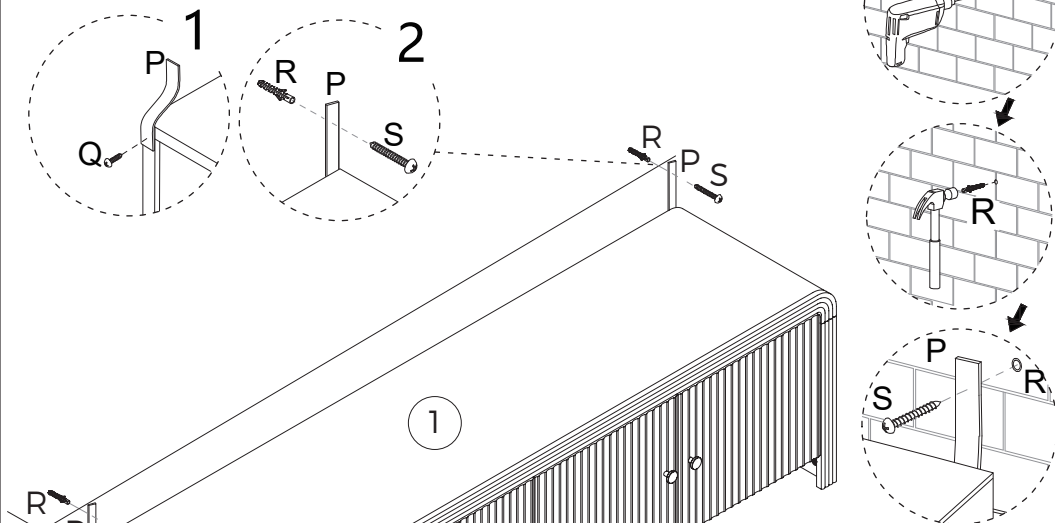
# 13



M	x16
3.5x14mm	

# 14

Pre-drill hole in wall



P	x2	Q	x2	R	x2	S	x2
		4x14mm				4x30mm	