

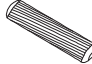




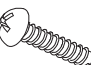









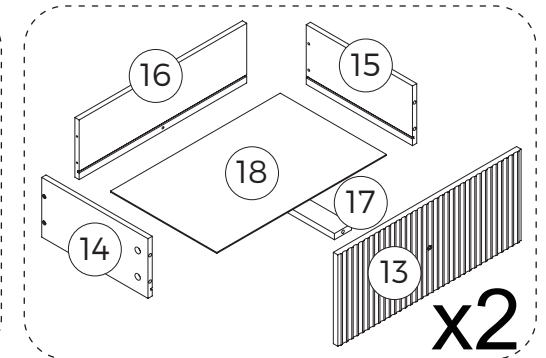
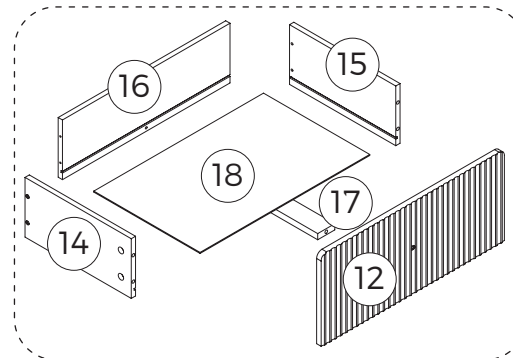
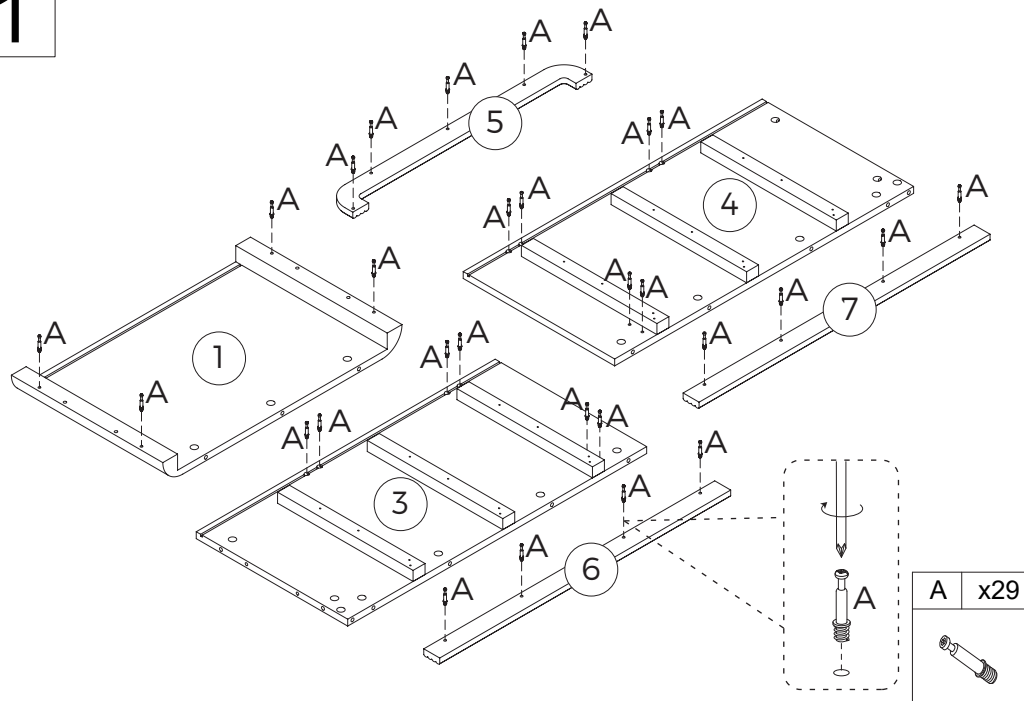



A	x44	B	x44	C	x4	D	x15	E	x42	F	x4	G	x18
													
			4x40mm	3x12mm	15mm	3x14mm							
H	x3	I	x3	J	x2	K	x2	L	x2	M	x2	CL	x3
													
	4x18mm				4x14mm				4x30mm		12 inch		
CR	x3	DL	x3	DR	x3								
													
	12 inch		12 inch										

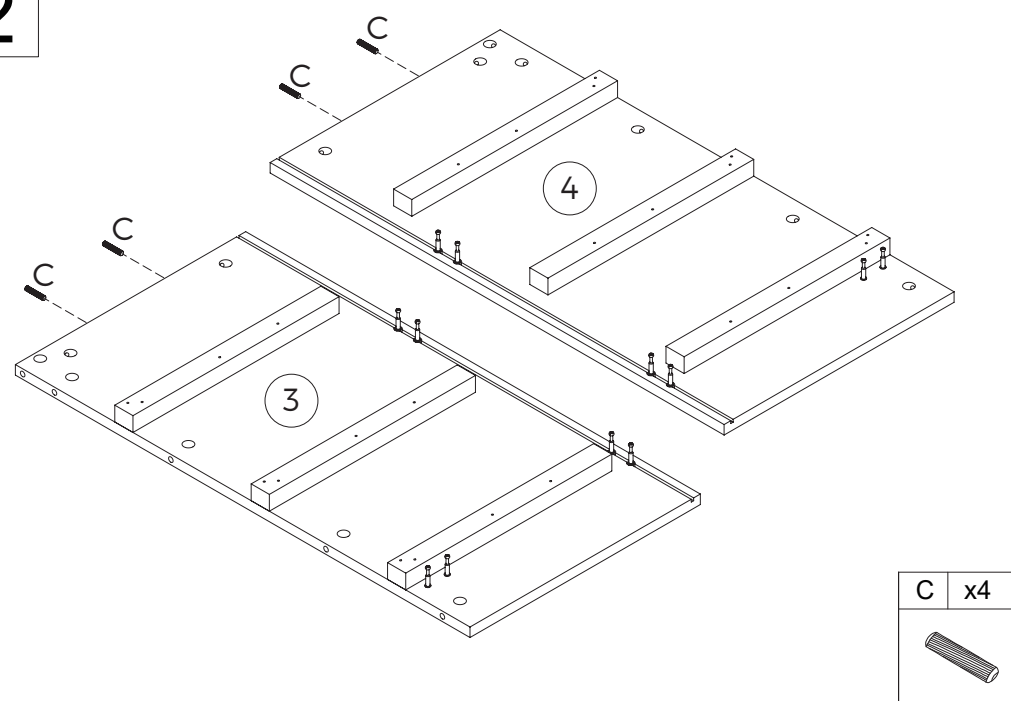



1



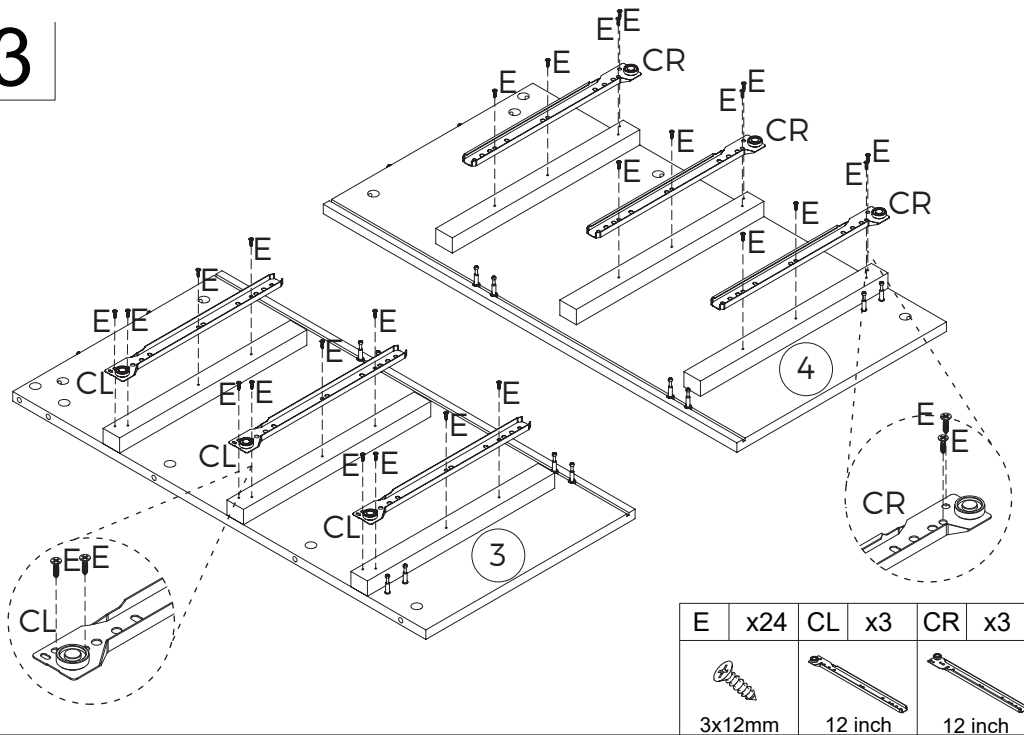
A	x29
	




2



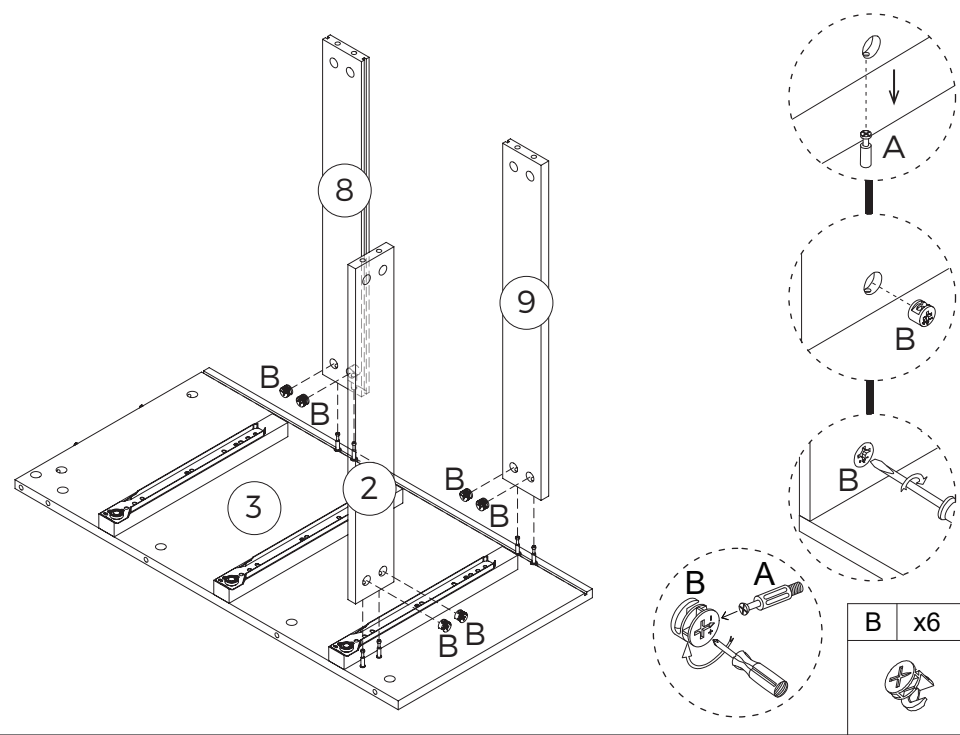
C	x4
	


3



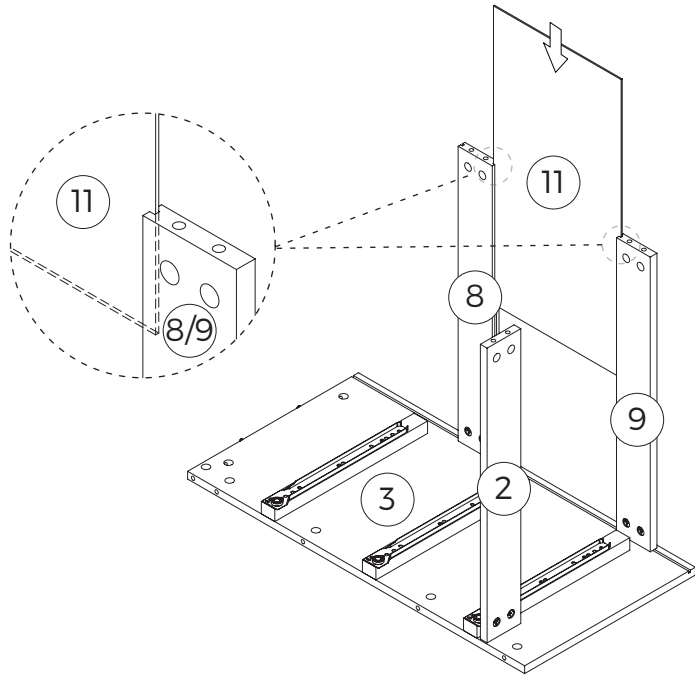
E	x24	CL	x3	CR	x3
					
3x12mm		12 inch		12 inch	

4

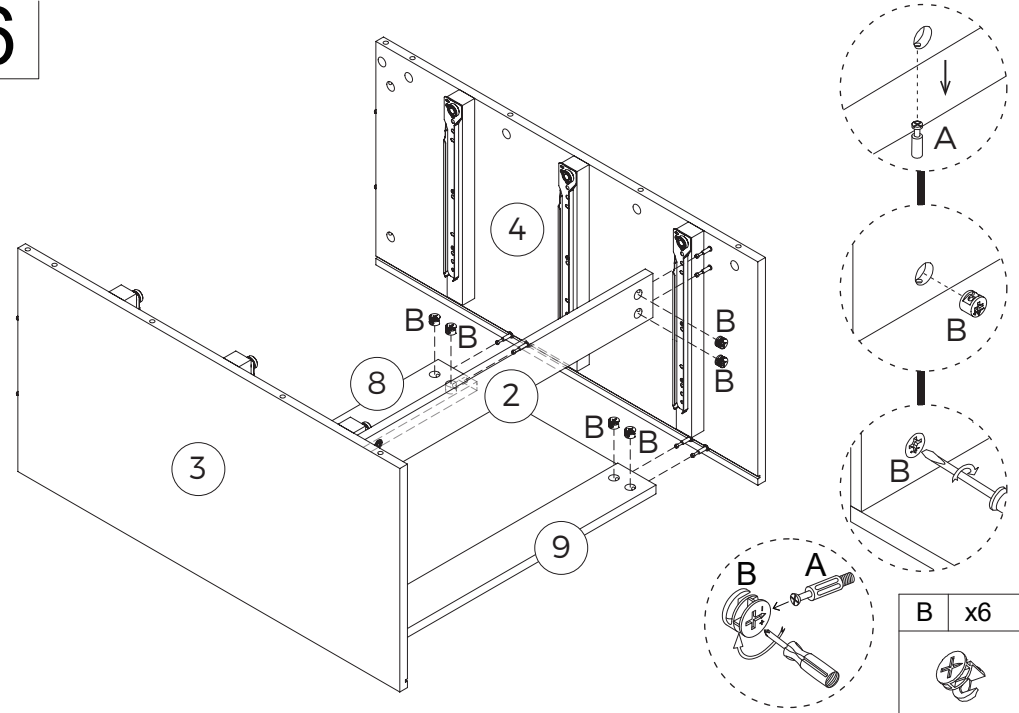


B	x6
	

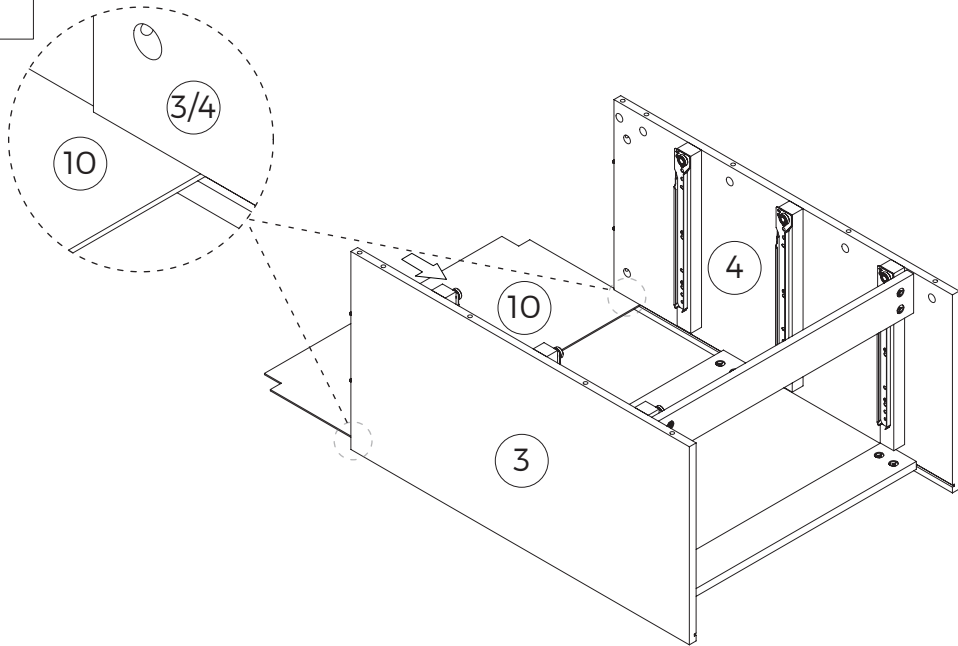
5



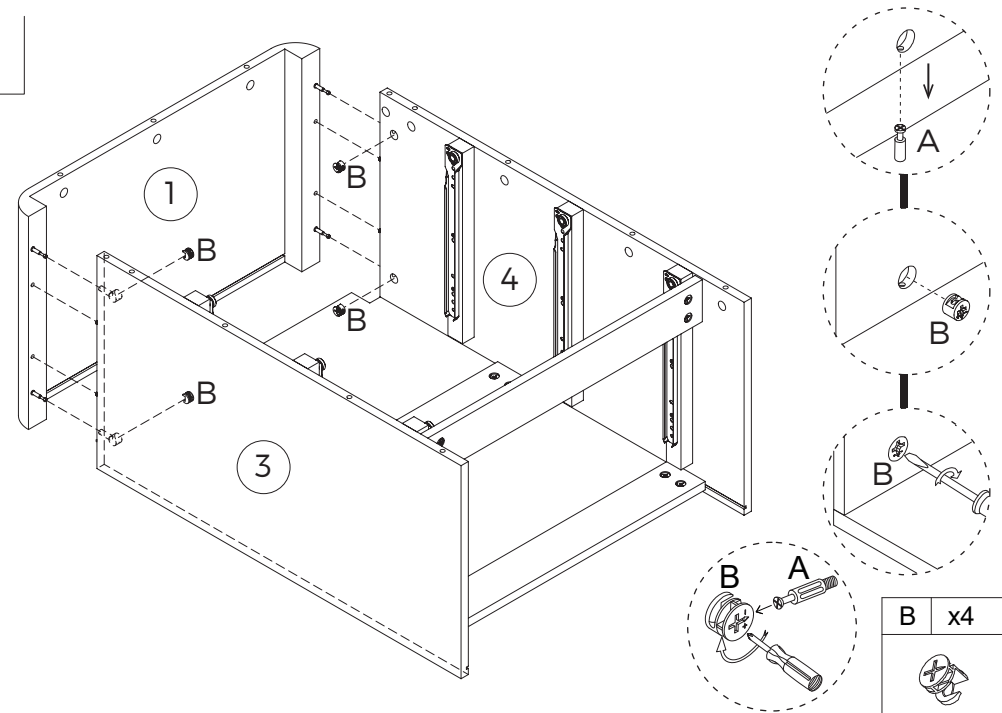
6



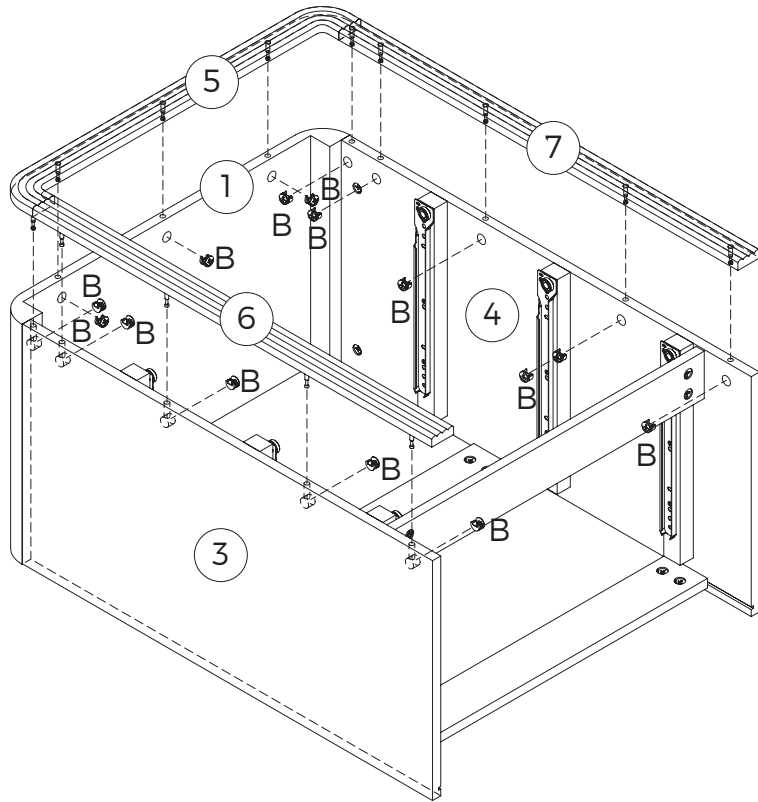
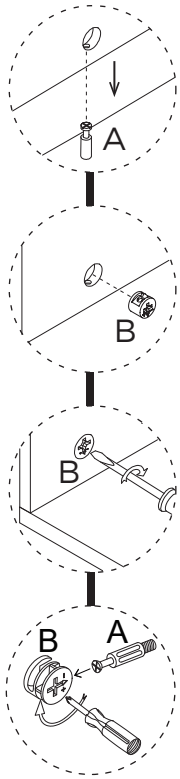
7



8



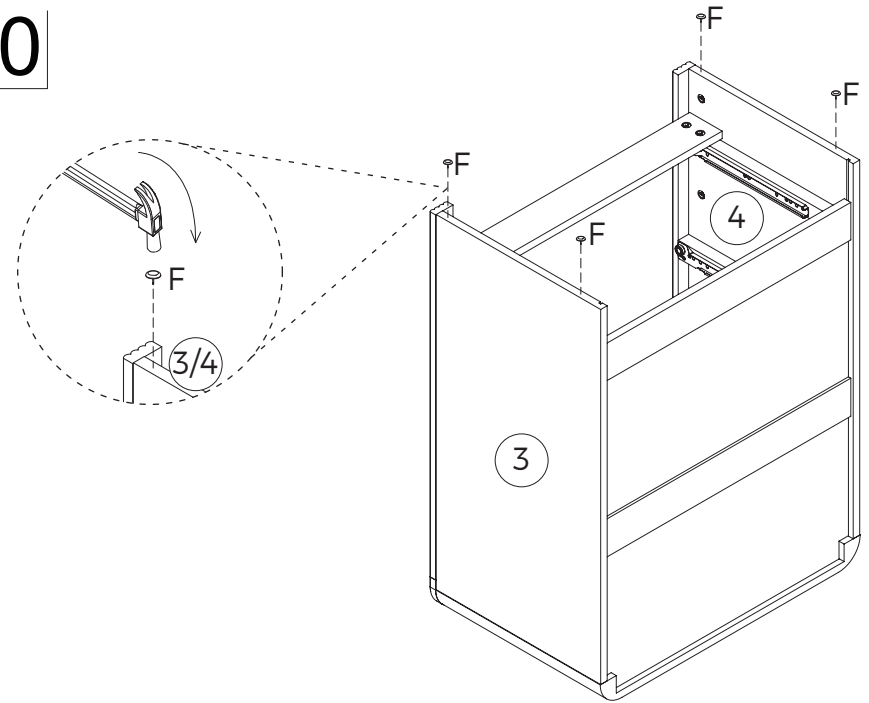
9



B x13



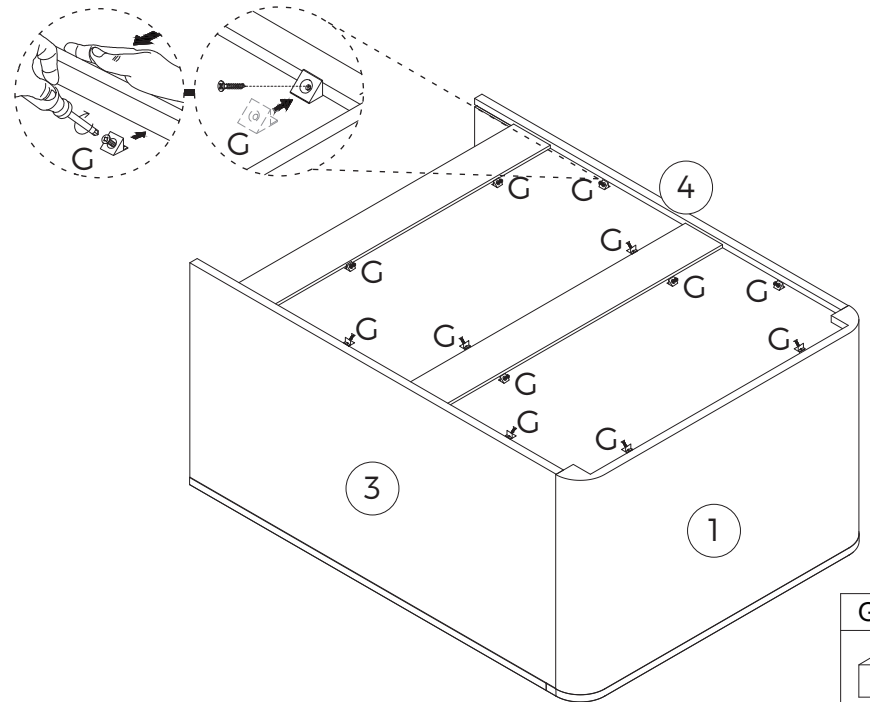
10



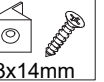
F x4



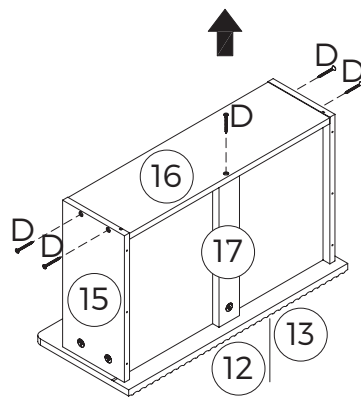
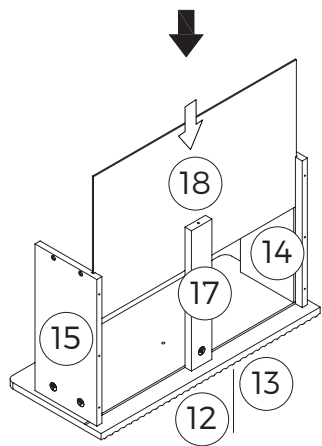
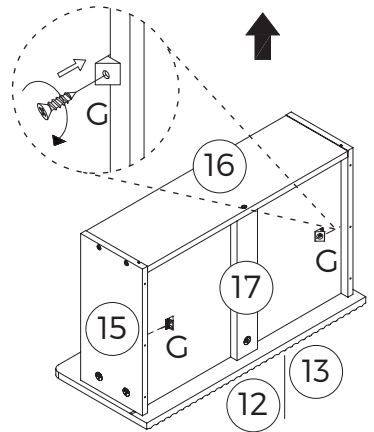
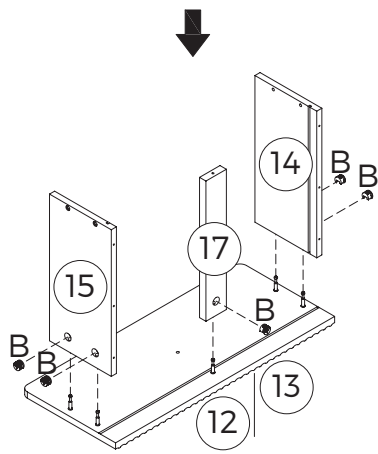
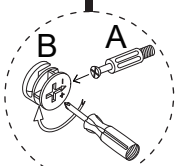
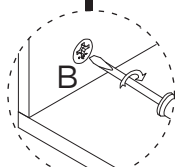
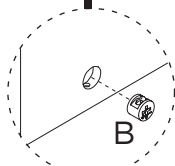
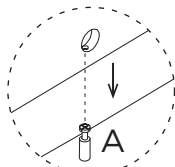
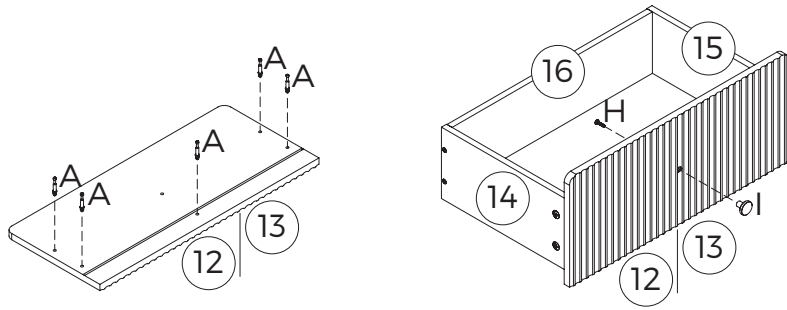
11



G x12



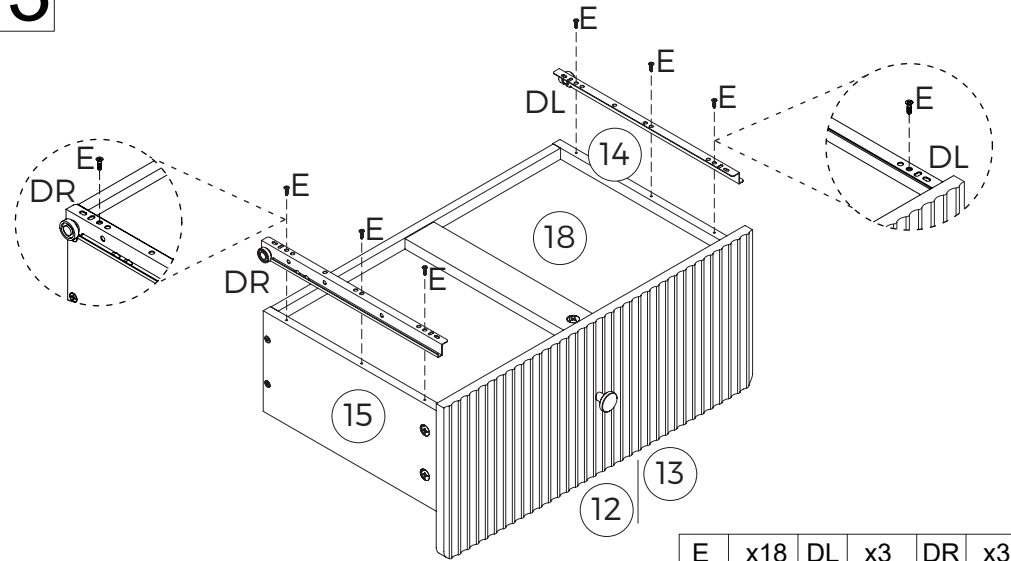
12



A	x15	B	x15	D	x15	G	x6	H	x3	I	x3
				4x40mm		3x14mm		4x18mm			

x3

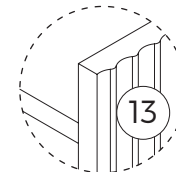
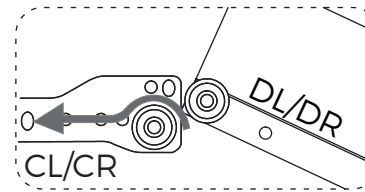
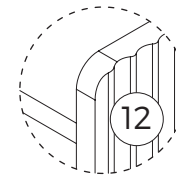
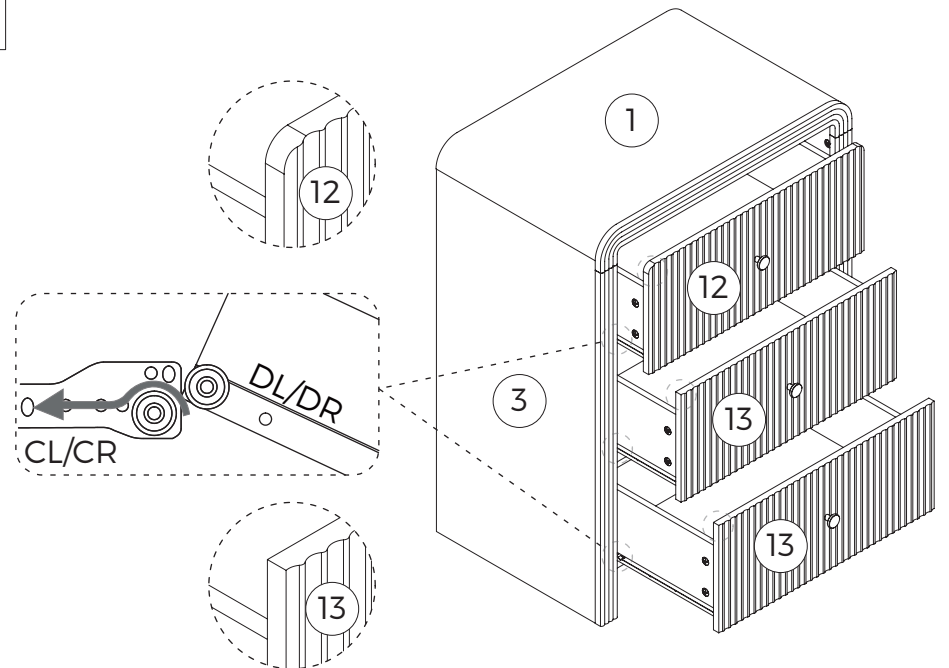
13



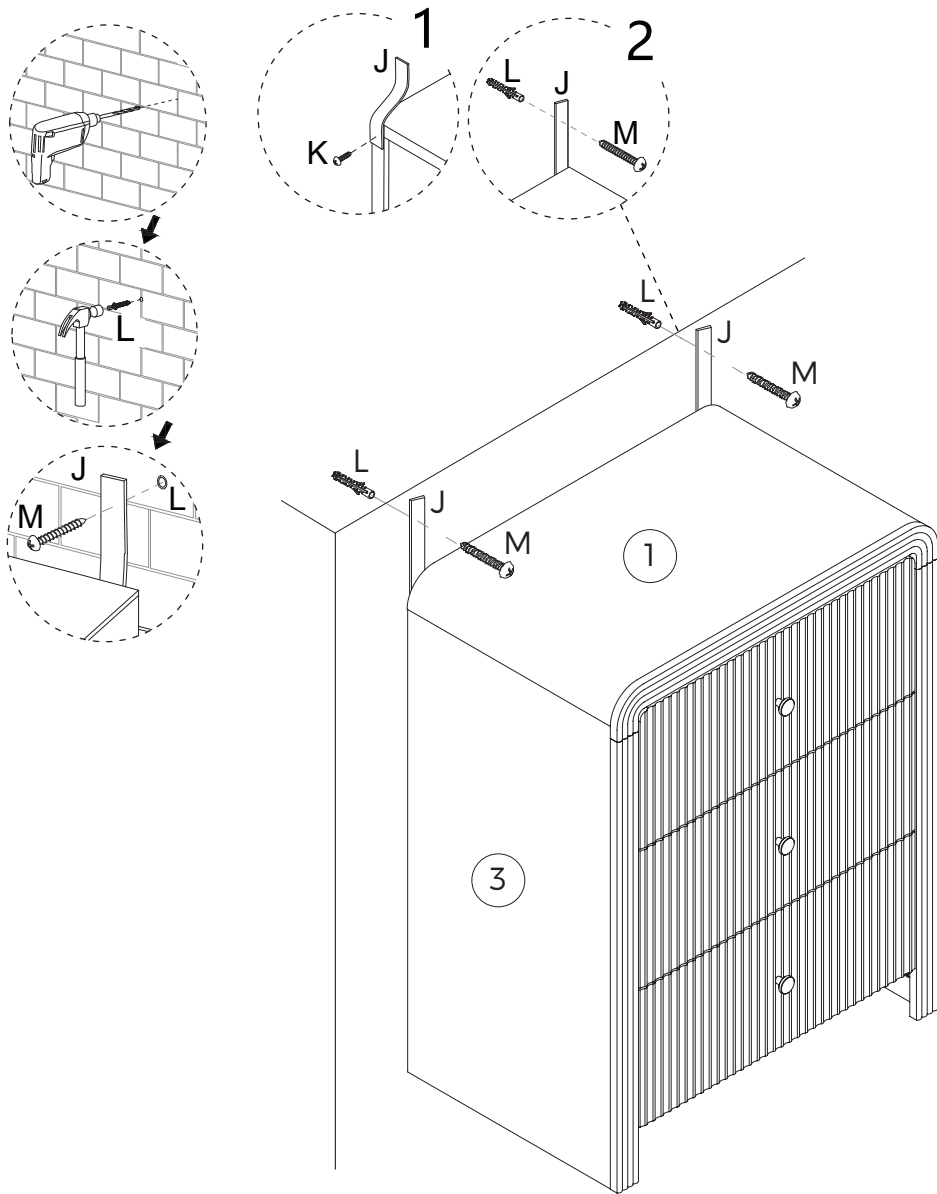
x3





E	x18	DL	x3	DR	x3
	3x12mm	12 inch		12 inch	

14



15 Pre-drill hole in wall



J	x2	K	x2	L	x2	M	x2
							
		4x14mm				4x30mm	

16

