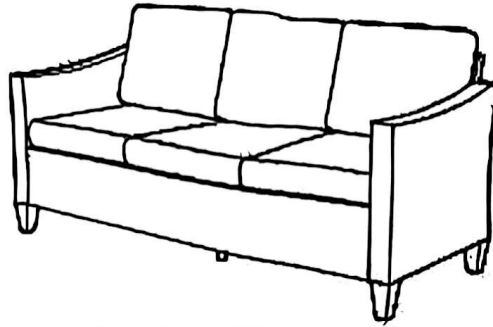


Assembly Instruction

Advice:

1. Power tools are suggested to be used during installation.
2. More than one person may be required to assemble this product.
3. The best advice is not tightening up any screws until the whole piece is assembled. If having difficulty aligning holes, loosen the screws already installed and readjust the armrest.
4. To avoid mess-up or mismatch, please use the hardware of each box to install the furniture in the same box.



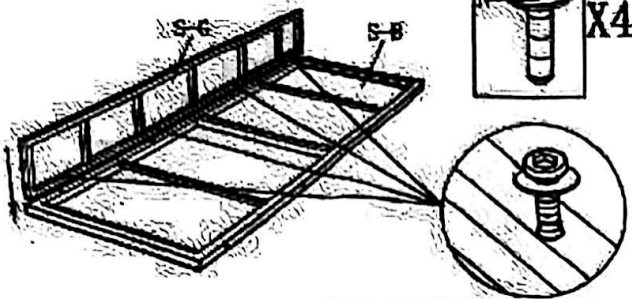
3-Seat Sofa



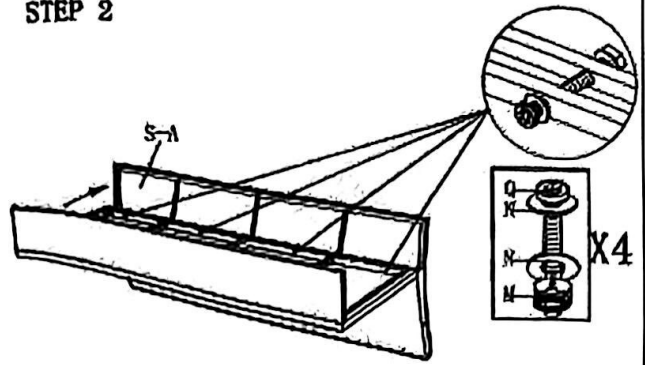
Parts List

Part Number	Picture	Description	QTY	Part Number	Picture	Description	QTY
S-A		Sofa Back	1	Q		Screw (M6*75)	4
S-B		Sofa Seat	1	P		Screw (M6*95)	2
S-C		Left Arm	1	N		Washer (M6)	28
S-D		Right Arm	1	M		Nut (M6)	10
S-E		Seat and Back Cushion	3	G		Anti-slip Screw (M8)	4
F		Sofa Leg	4	L		Allen Key	1
S-G		Sofa Front Plate	1	K		Wrench (M8)	1
S-H		Center Sofa Leg	1	J		Wrench (M6)	1
U		Screw (M6*40)	4	I		Washer (M8)	4
A1		Screw (M6*55)	6	A2		Screw (M6*20)	2

STEP 1

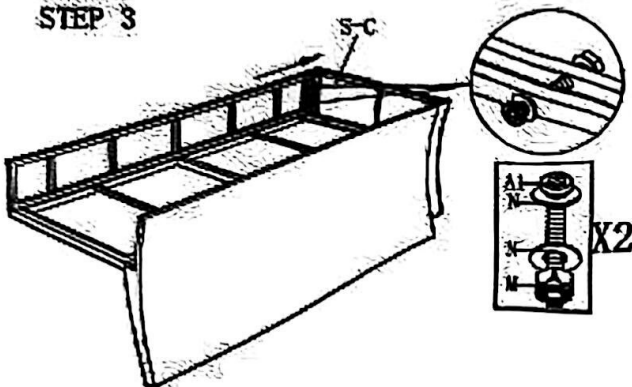


STEP 2

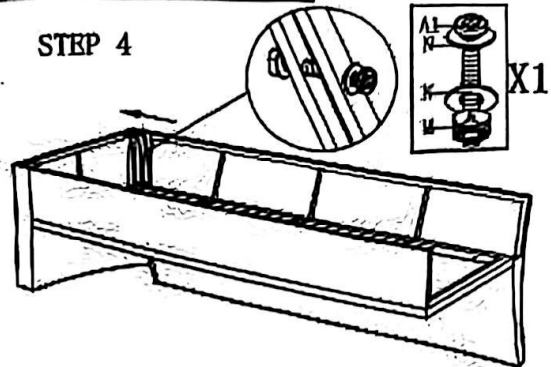


The best advice is not tightening up any screws until the whole piece is assembled.

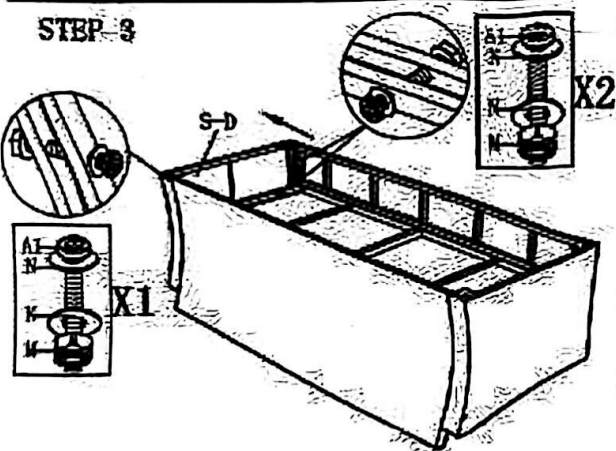
STEP 3



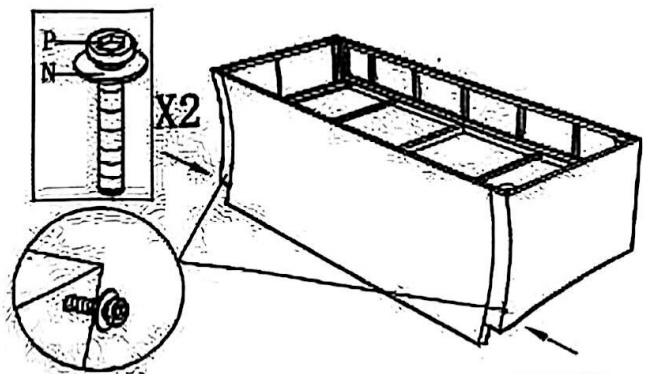
STEP 4



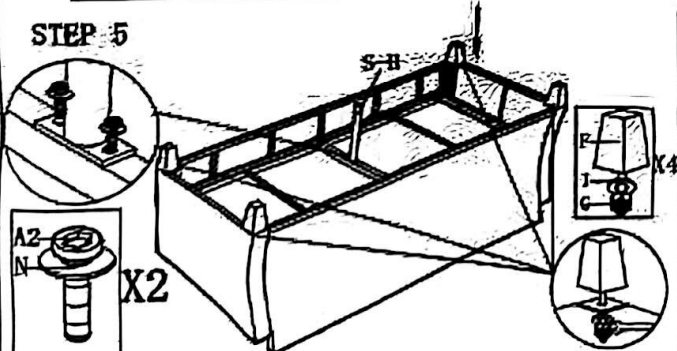
STEP 3



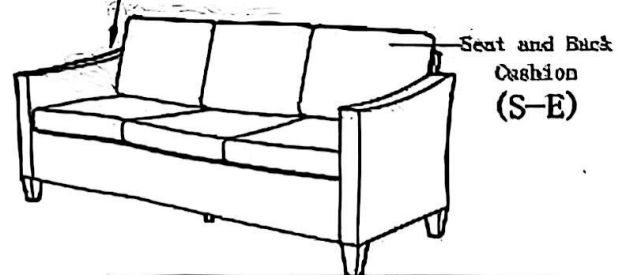
STEP 4



STEP 5



FINISH



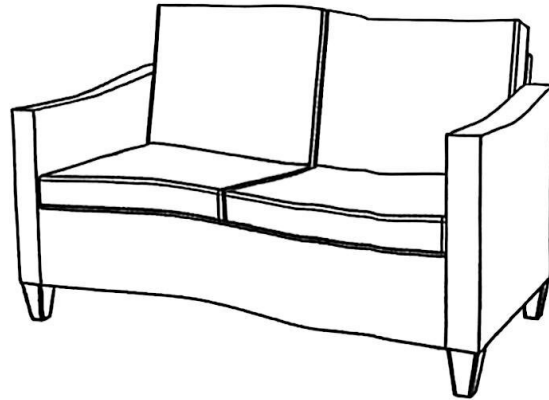
It is recommended to tighten the anti-slip screws with your own MB wrench.

Please tap the cushions and wait 48 to 72 hours to fully rebound

Assembly Instruction

Advice:

1. Power tools are suggested to be used during installation.
2. More than one person may be required to assemble this product.
3. The best advice is not tightening up any screws until the whole piece is assembled. If having difficulty aligning holes, loosen the screws already installed and readjust the armrest.
4. To avoid mess-up or mismatch, please use the hardware of each box to install the furniture in the same box.



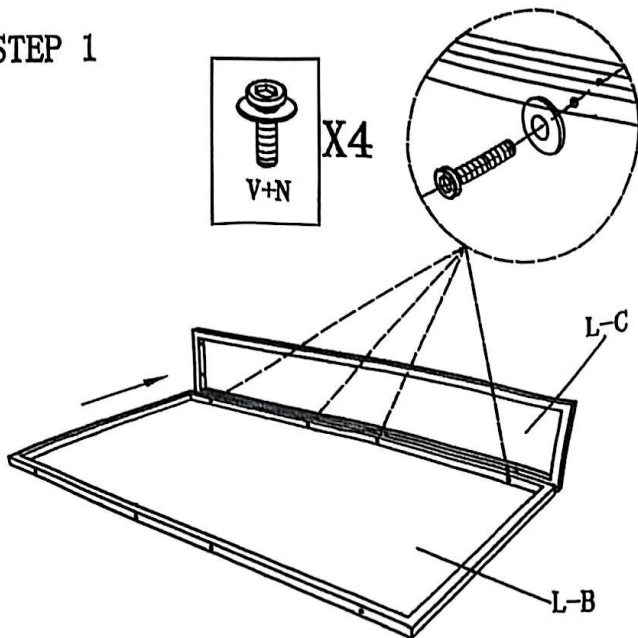
Loveseat



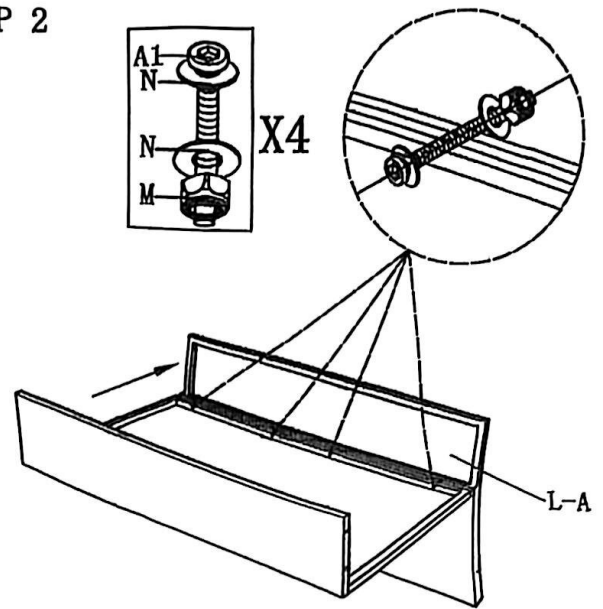
Parts List

NO.	Picture	Description	QTY				
L-A		Sofa Back	1	A1		Screw (M6*55)	10
L-B		Sofa Seat	1	P		Screw (M6*95)	2
L-C		Front Panel	1	N		Washer (M6)	26
L-D		Right Arm	1	M		Nut (M6)	10
L-E		Left Arm	1	I		Washer (M8)	4
F		Sofa Leg	4	G		Anti-slip Screw (M8)	4
L-G		Seat and Back Cushion	2	L		Allen Key	1
V		Screw (M6*35)	4	J		Wrench (M6)	1
				K		Wrench (M8)	1

STEP 1

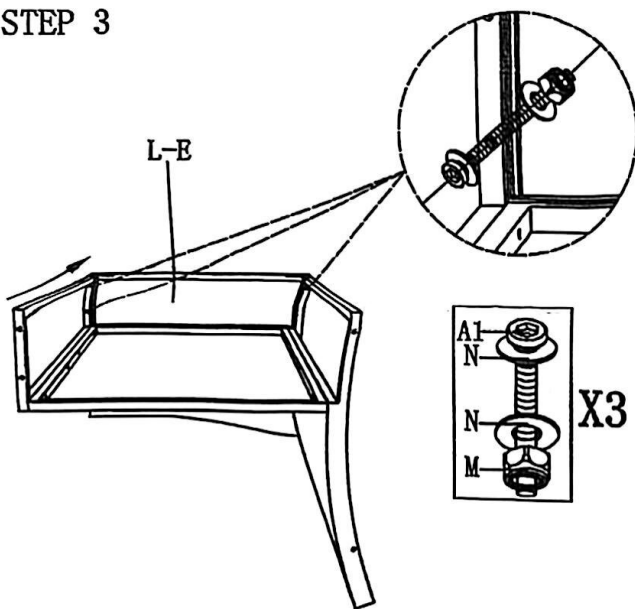


STEP 2

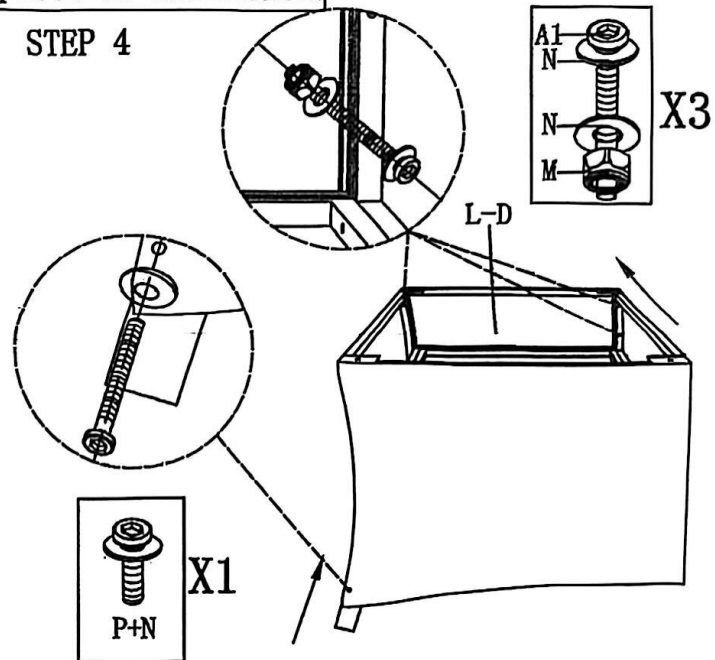


The best advice is not tightening up any screws until the whole piece is assembled.

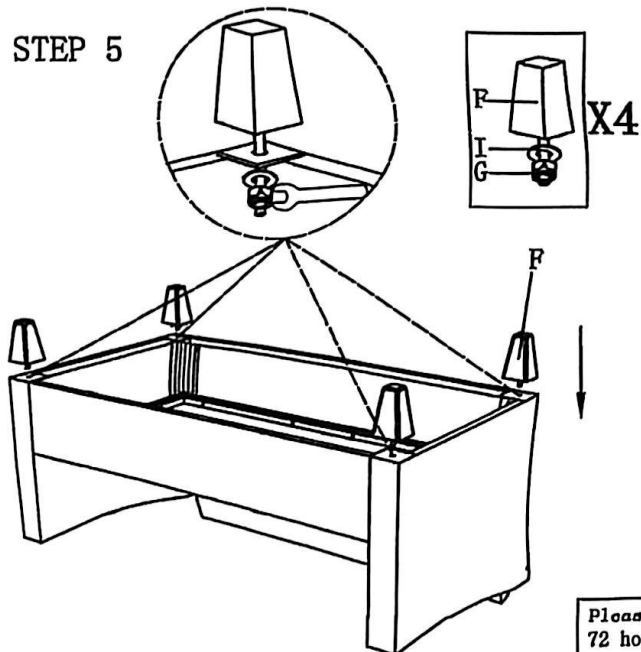
STEP 3



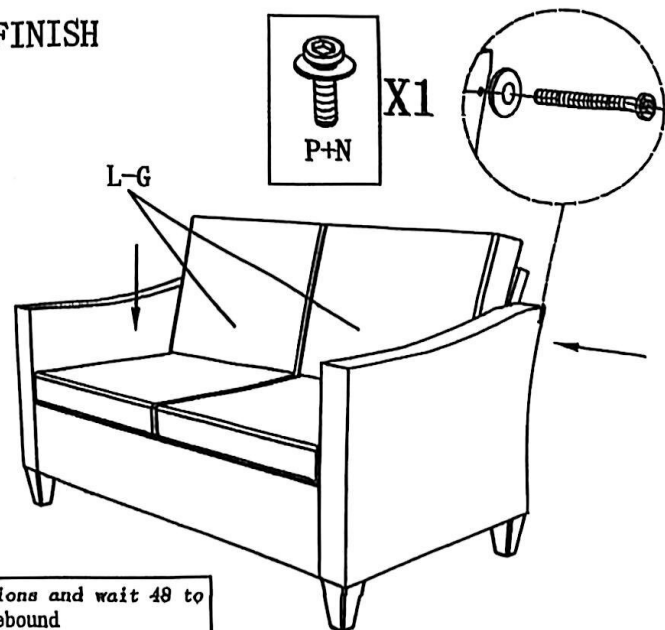
STEP 4



STEP 5



FINISH



Please tap the cushions and wait 48 to 72 hours to fully rebound