

Infrared Sauna

Operating instruction



— Infrared makes life more healthy —

Due to our continued product improvement, product illustrated on this instruction manual may vary slightly from the actual product.

— Infrared makes life more healthy —

Contents

Important safety guides	1
Structure of infrared sauna	2
Installation process	3
Installation precautions	4
Control panel operation	6
Control box	12
Maintenance	16
Trouble shooting	17

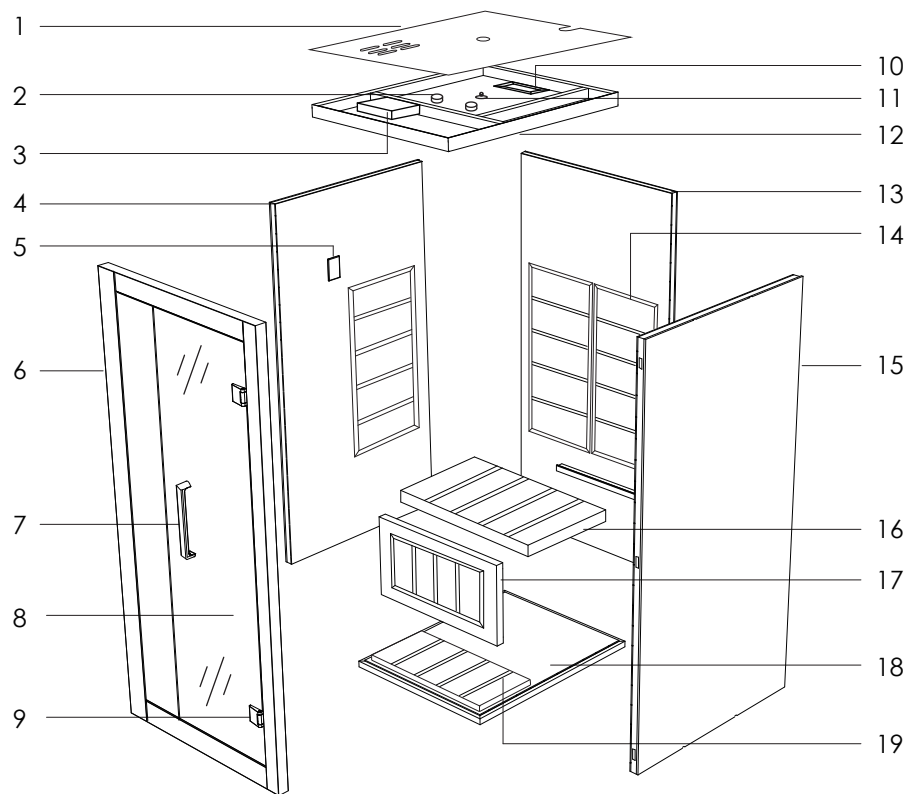
Important safety guides



Please strictly follow safety precautions when using!

1. Children must be using the equipment under the care of an adult. For safety, do not play with it ;
2. Do not insert objects such as fingers or sticks into the heating tube plate to prevent danger ;
3. Never pour water to the equipment or the heating pipe (board) ;
4. Do not use or store flammable gas or liquid such as hair spray, oil paint, gasoline, etc near the equipment to avoid fire ;
5. Do not place items inside or on top of the sauna ;
6. Do not touch the power control panel and any electrical components with wet hands to prevent electric shock ;
7. It is forbidden to use the equipment during thunderstorms to prevent electric shock ;
8. Do not tilt the equipment, do not use sharp objects to strike ;
9. Shut down the equipment for half an hour after 4 hours continuous working ;
10. Do not operate the equipment in a long-term high temperature environment ;
11. Use with caution after drinking alcohol ;
12. Those who have hemophilia or are prone to bleeding should avoid using it ;
13. Please consult your doctor before using if you are in period of disease and taking medicine ;
14. Do not use after intense exercise, wait until the body temperature returns to normal before using ;
15. If you feel any discomfort, please stop using immediately ;
16. Mind your head when get in and out of the equipment ;
17. Do not sleep inside the equipment when it is working ;
18. Do not use any bath products in the sauna ;
19. To avoid burns, do not touch the heating element ;
20. Please keep the seat timber dry to avoid damage!
21. Please keep the floor heater dry to avoid excessive sweat dripping off!
22. **WARNING:**Covering the heater or infrared emitter causes fire risk!
23. If you have any questions, please call the supplier.

Structure of infrared sauna



- | | | | |
|-----------------|----------------|-----------------------|----------------------|
| 1 Duster cover | 6 Front board | 11 Temperature sensor | 16 Bench |
| 2 Speaker | 7 Handle | 12 Top board | 17 Bench front board |
| 3 Control box | 8 Door glass | 13 Back board | 18 Bottom board |
| 4 Left board | 9 Hinge | 14 Heater frame | 19 Foot rest board |
| 5 Control panel | 10 Ventilation | 15 Right board | |

*The structure may vary from different models

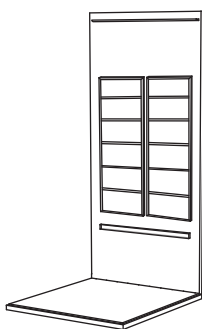
Installation process

1



Bottom board

2



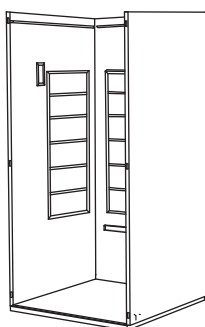
Back board

3



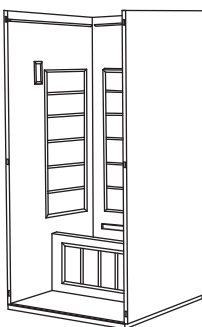
Left board

4



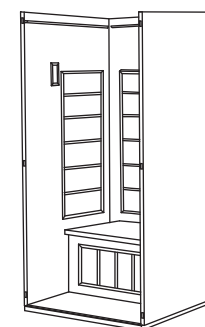
Right board

5



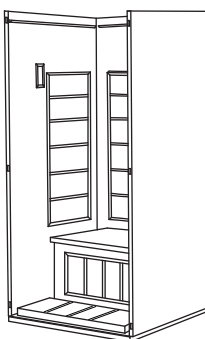
Bench front board

6



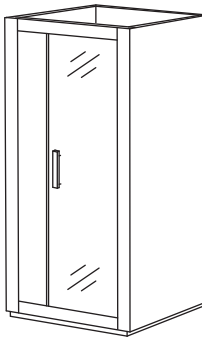
Bench

7



Foot rest board

8



Front board

9



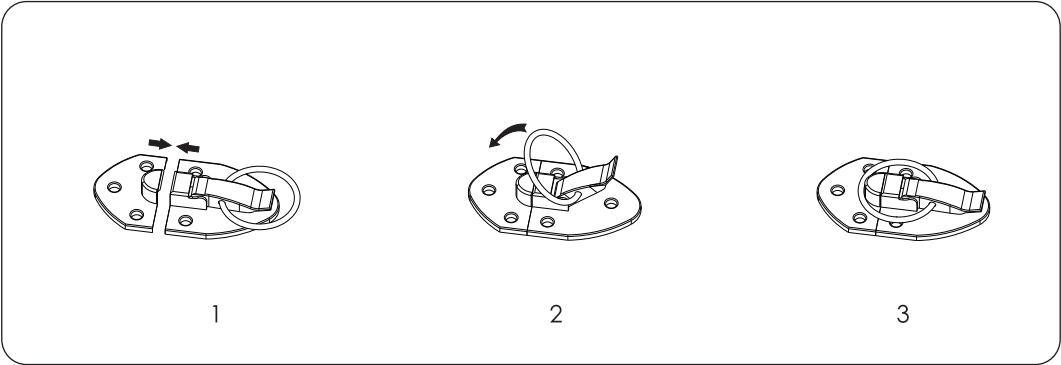
Top board

* The structure may vary from different models. Due to our continued product improvement, product illustrated on this instruction manual may vary slightly from the actual product.

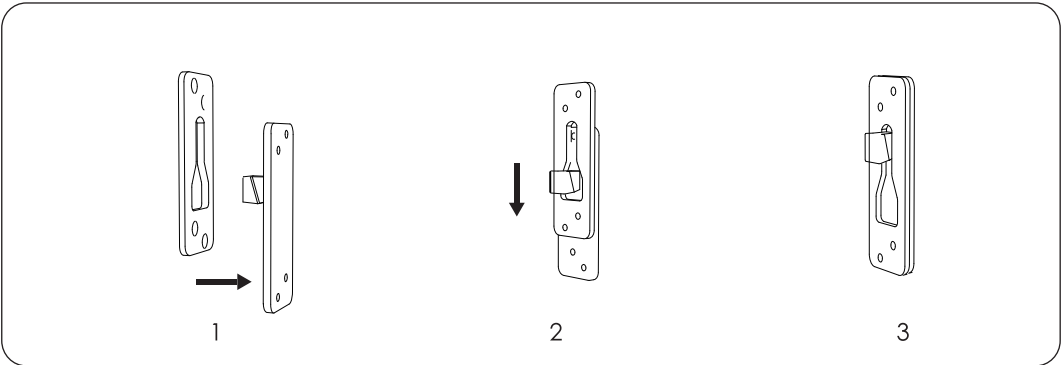
Installation precautions

Large plate assembly

Outer buckle installation method



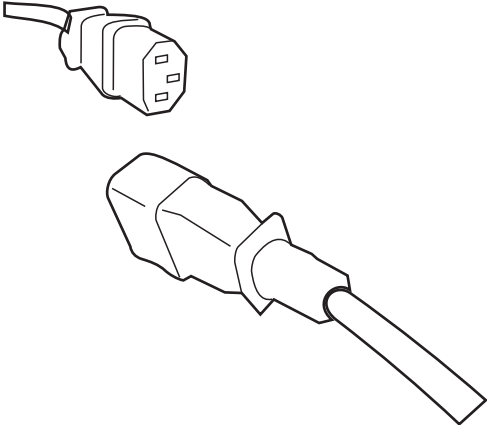
Hanging buckle installation method



Installation precautions

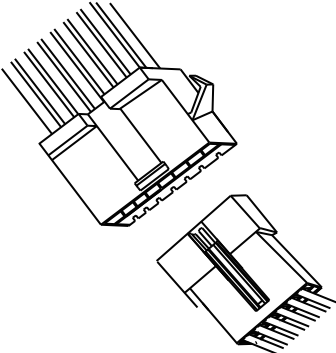
Electrical connection

1



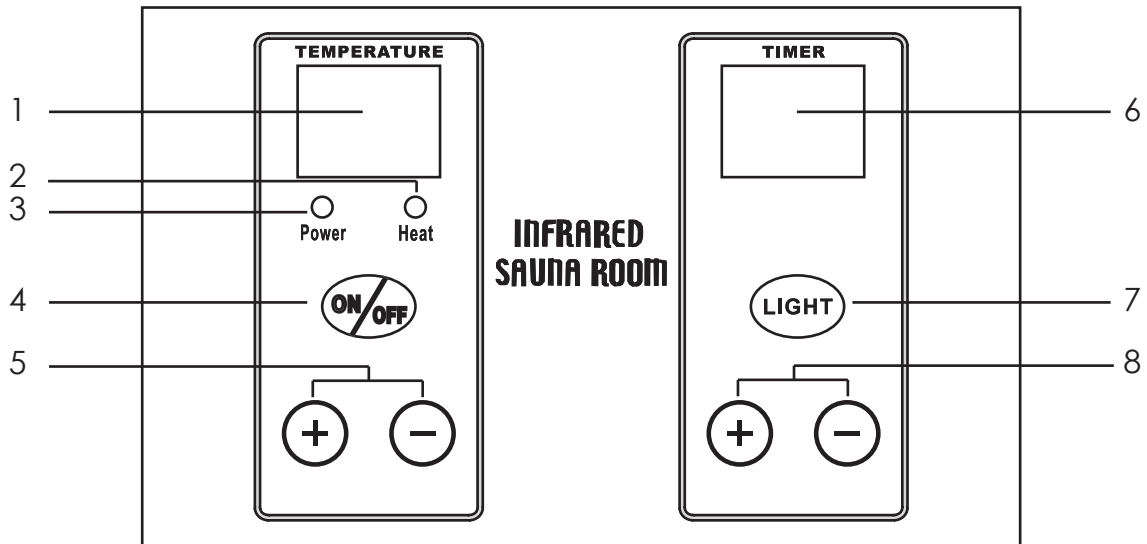
Conection cable

2



Connection plug

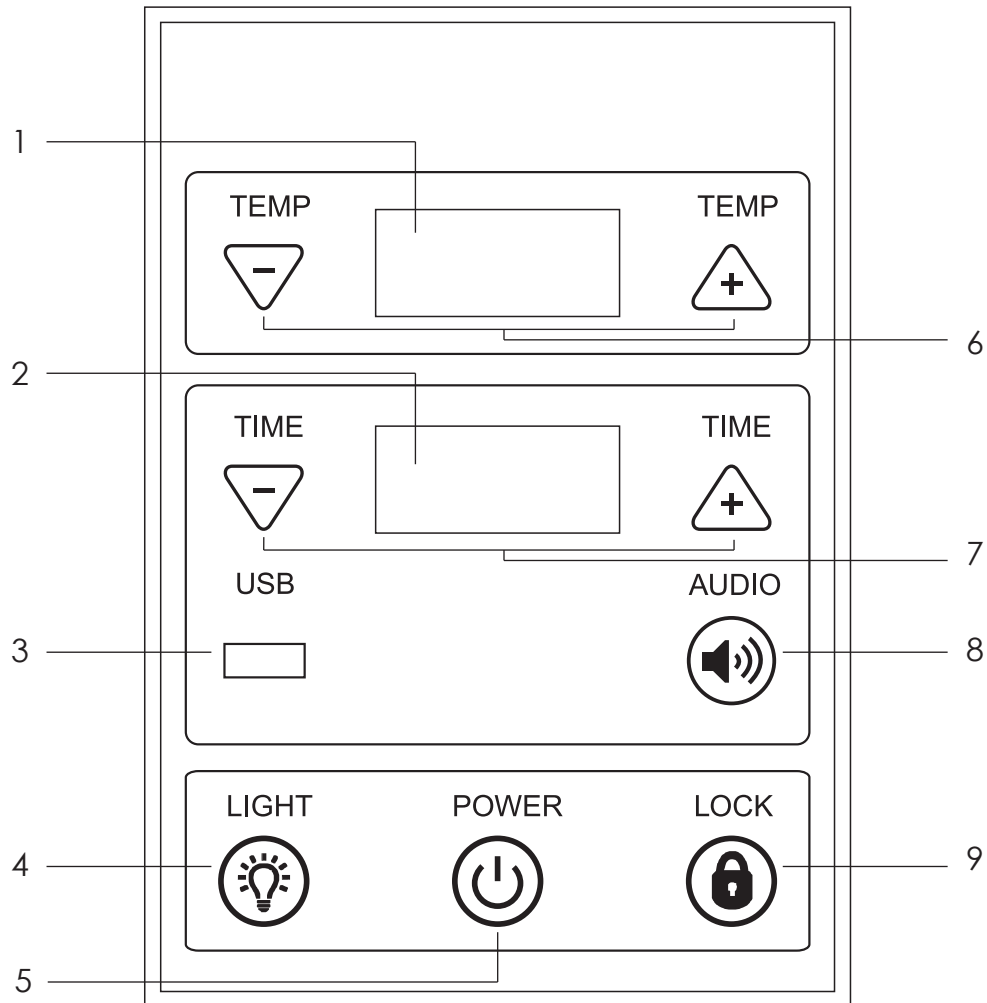
Control panel operation(A)



- 1 Temperate display screen
For temperate.
- 2 Working indicator lamp
Indicate that the heater is working.
- 3 Power indicator lamp
Indicates that the power supply is on.
- 4 Power button
Touch this key to turn on or turn off it.

- 5 Temp control
Touch the '+' and '-' button to increase or decrease the temperature from 30°C to 65°C. If the 'heat' light is on, the temperature setting will increase one degree every time the '+' button is pushed. If pressed for three seconds, the setting will increase quickly. Decrease the temperature in the same manner by pressing the '-' button. After the sauna reaches the desired temperature, the 'heat' light turns off. The Fahrenheit and Centigrade display can be switched: press the temperature button "+" and "-" at the meantime, then press the button of "light" to switch.
- 6 Timer display screen
For timer.
- 7 Light button
Touch the key to turn on/off the light.
- 8 Time control
Touch the '+' and '-' buttons to set the timer from 5 to 60 minutes. If pressed for three seconds, the timer will increase quickly. To extend the sauna session, reset the timer again.

Control panel operation(B)



1 Temperate display screen
For temperate.

2 Timer display screen
For timer.

3 USB function
Touch this key to start USB function.

4 Light button
Touch the key to turn on/off the light.
See the next page for details.

5 Power button
Press and hold this button to switch
on and off.

6 Temp control

After heater is turned on, press TEMP- and TEMP+ to adjust the heater temperature.
See the next page for details.

7 Time control

Touch the '+' and '-' buttons to set the timer from 5 to 60 minutes. Stepping is 5, when the countdown is to 5 minutes, it will beep 3 times.

8 Audio function

See the next page for details.

9 Button lock function

Long press LOCK button for 5S, indicator light is on, it means the button is locked. Long press this button again for 5S to unlock the button, indicator lamp is not light.

Control panel operation(B)

Light button

On the status of system standby, press "LIGHT" button to turn on or turn off the lamp separately.

If the indicator light is on, it means lamp on, if the indicator light is off, it means the lamp is off.

When high voltage lamp is on, press 5S, time display shows 2n, temperature display shows Lx (x is 1-9)

(1) When it displays 2n, short press " LIGHT" button to change LED light color, pressing one time can change one color.

(2) Within 8S without pressing "LIGHT"button, time display quits 2n, temperature display quits Lx, the color of LED lamp remains current status and quits light control logic lock key function.

(3) It can open or close the LED light and high voltage lamp separately. On the status of 2n, press TIME- and TIME+ separately to turn on or turn off LED light or high voltage lamp.

Temp control

After heater is turned on, press TEMP- and TEMP+ to adjust the heater temperature. Temperature range is from 30 to 65°C (75°C) , Stepping temperature is 1°C. Fahrenheit degree range is from 90 to 150°F (167°F) , stepping temperature is 5°F. When temperature is lower than 30°C or 90°F, it shows LO. Celsius and Fahrenheit switch: Press "TEMP-" and "LOCK" meanwhile for 5S to switch Celsius and Fahrenheit.

Audio function

(1) First press AUDIO button , indicator light is on, open Bluetooth, meanwhile open the Bluetooth in mobile device, search and match them, then it can play music. It takes 6 or 8S to match each other. Temperature display shows "BLU". Time display shows "--Db", or delays 5S to show, press TIME+ or TIME- to adjust the volume(01-30DB), short press TEMP+- to adjust last and next music. If the sauna is open, no button press after 8S, display shows temperature and time.

Remarks: During Bluetooth match, it can not switch among Bluetooth, USB and radio at once.

The switch time takes 6 or 7S. If the user would like to switch immediately, please wait 6 or 7S. In order to stable and accelerate Bluetooth to initialize and match up, within 8S when just open the Bluetooth, mask off the load turning on or off function.

(2) Second press AUDIO button , indicator light is on, open USB function, temperature display shows USB, press TEMP+ to adjust last music, press TEMP- to adjust next one. Time display shows "--Db". Press TIME+- to adjust volume, short press TEMP+- to adjust last and next music, no button press after 8S, display shows temperature and time.

Attention: It takes 3S to read the USB, if haven't connected to USB, volume will show 00db.

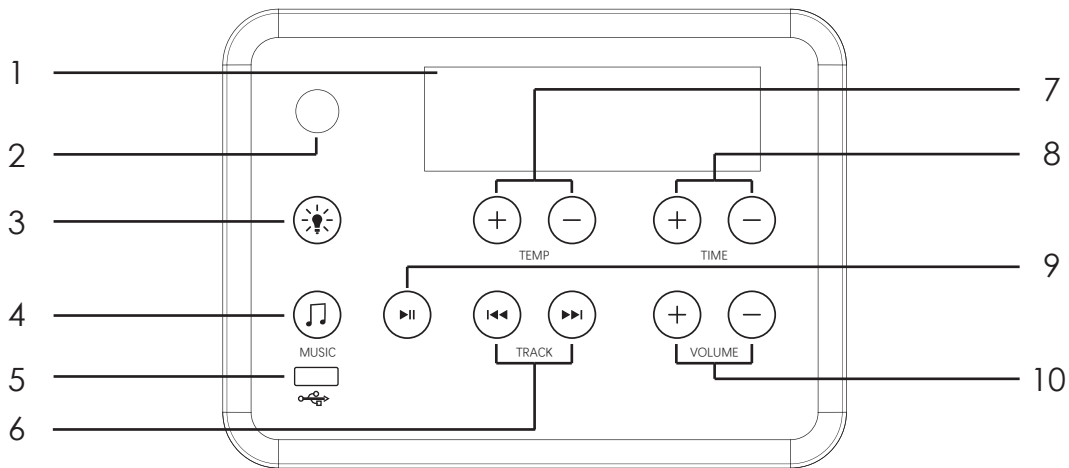
(3) Press the button the third time, open radio, broadcast prompt sound, frequency shows in temperature display. Time display shows "VOL", press TIME+- to adjust volume. Press TEMP to adjust frequency. No button press after 8S, display shows temperature and time.

Attention: When radio is on, long press AUDIO button ,it can search the frequency automatically.

The frequency range is (87.5MHZ-108MHZ), when search the effective signal frequency, it will save it. Because there is different place, different frequency. When this system is first time to the place, it has to open radio and then long press AUDIO button to search the frequency automatically.

(4) Press the forth time, turn off sound function

Control panel operation(C)



1 Display screen

For temperate,time,FM.

2 Power button

Touch this key to turn on or turn off it.

3 Light button

Touch the key to turn on/off the light inside of cabin and use remote control to choose the color of light .

4 Music button

Touch this key to adjust bluetooth, MP3 and FM.FM from 85.7-108.0M.

5 USB function

Touch this key to start USB function.

6 USB function

Press two key for a second will be FM mode.Press key upon the TRACK for last song and key for next one.

7 Temp control

Touch the '+' and '-' button to increase or decrease the temperature. If the 'heat' light is on, the temperature setting will increase one degree every time the '+' button is pushed. If pressed for three seconds, the setting will increase quickly. Decrease the temperature in the same manner by pressing the '-' button. After the sauna reaches the desired temperature, the 'heat' light turns off. The Fahrenheit and Centigrade display can be switched: press the temperature button "+" and "-" at the meantime, then press the button of "light" to switch.

8 Time control

Touch the '+' and '-' buttons to set the timer from 5 to 90 minutes. If pressed for three seconds, the timer will increase quickly. To extend the sauna session, reset the timer again.

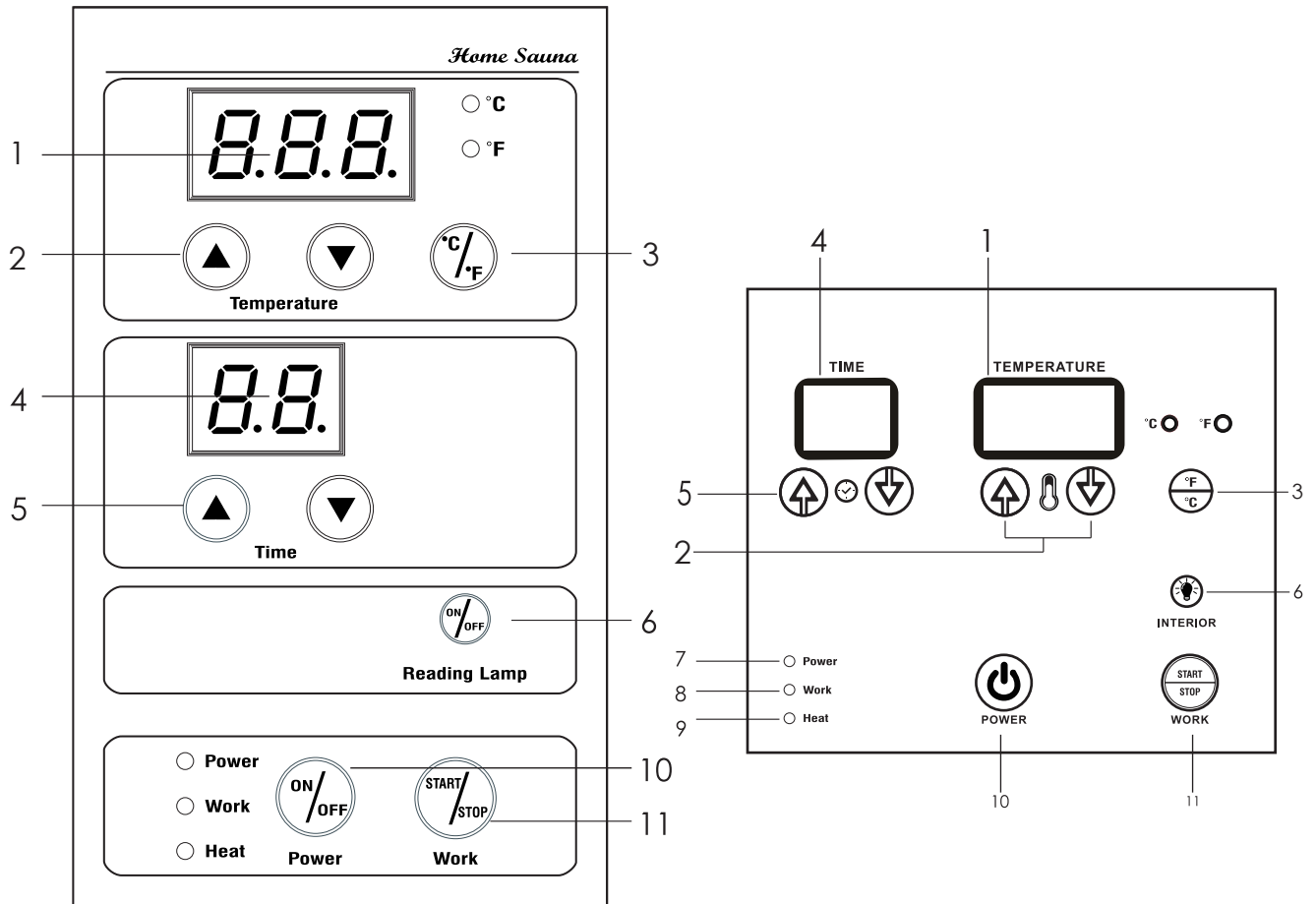
9 Pause/Play

When music playing in this mode,this key is for pause or play.

10 Volume control

Press '+' and '-' to increase or decrease volume.

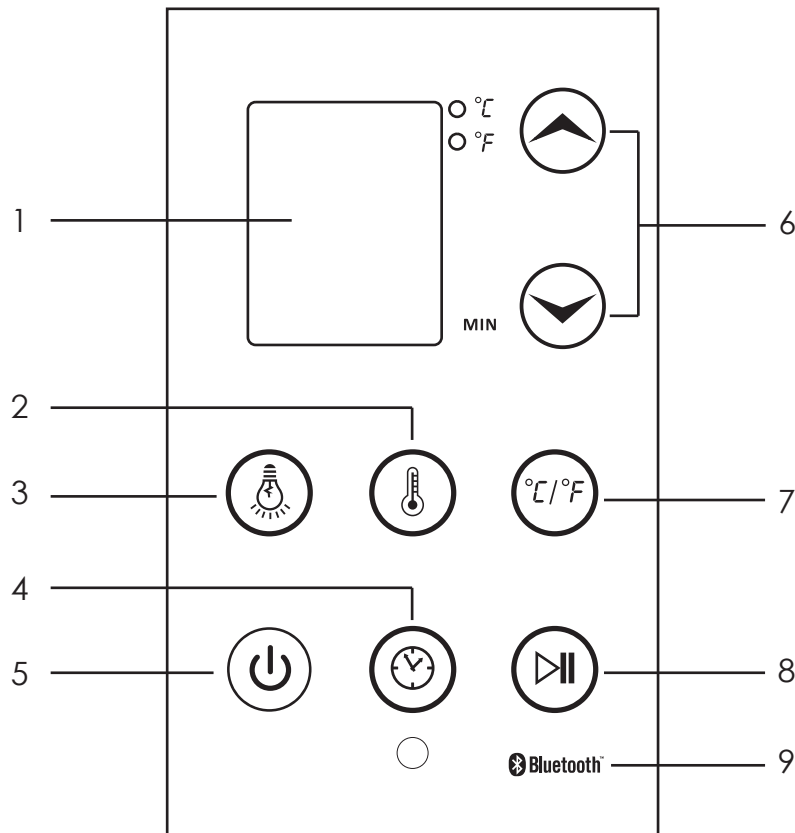
Control panel operation(D)



- 1 Temperature display screen
For temperature.
- 2 Temperature adjust button
Press '▲' and '▼' to adjust the temperature setting.
- 3 Temperature type
Press to change the temperature display between °C/°F.
- 4 Timer display screen
For timer display.
- 5 Time adjust button
Press '▲' and '▼' to adjust the timer setting.

- 6 Light button
Press the key to turn on/off the light.
- 7 Power Indicator
Indicates the status of the sauna's main power.
- 8 Work Indicator
Indicates the working status of the sauna.
- 9 Heat Indicator
Indicates the status of heating function.
- 10 Power button
Press this key to turn on or turn off the sauna.
- 11 Work Start/Stop
Press to control the working functions of the sauna.

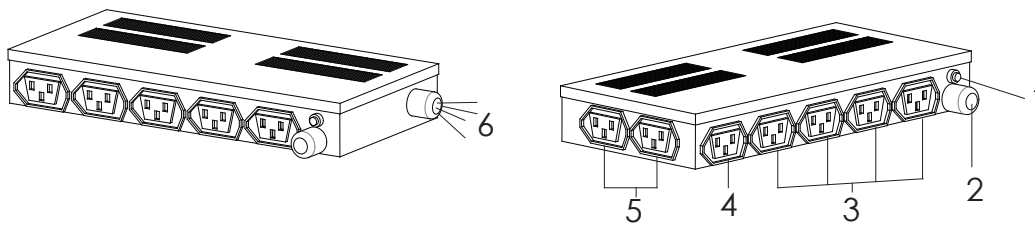
Control panel operation(E)



- 1 Display screen
For temperate and timer display.
- 2 Temperature button
Press the key to temperature adjustment state.
- 3 Light button
Press the key to turn on/off the light.
- 4 Time button
Press the key to time adjustment state.
- 5 Power button
Press this key to turn on or turn off the sauna.

- 6 Adjust button
Press '∧' and '∨' to adjust the temperature setting and the timer setting.
- 7 Temperature type
Press to change the temperature display between °C/°F.
- 8 Pause/Play
Press to control the working functions of the sauna.
- 9 Bluetooth
Control panel can be connected to devices to play music.

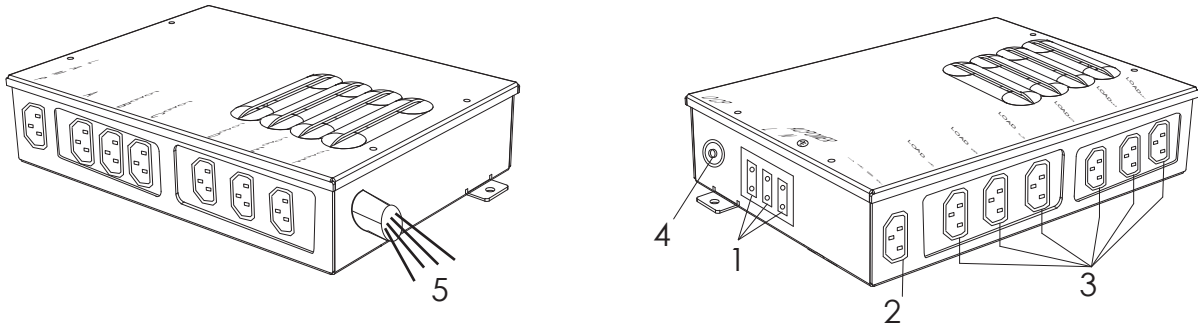
Control box(A)



This control box is the control center of sauna room, it is installed on the top board, input/output connections as below.

- | | |
|--|--|
| 1 Fuse reset | 5 Heaters power output cable (LOAD E--LOAD F) |
| 2 Main power of sauna room. | 6 12V output |
| 3 Heaters power output cable (LOAD A--LOAD D) | Temperature sensor connection port |
| 4 Lamp power output cable | Control panel connecting |
| | Color lamp power output |

Control box(B)

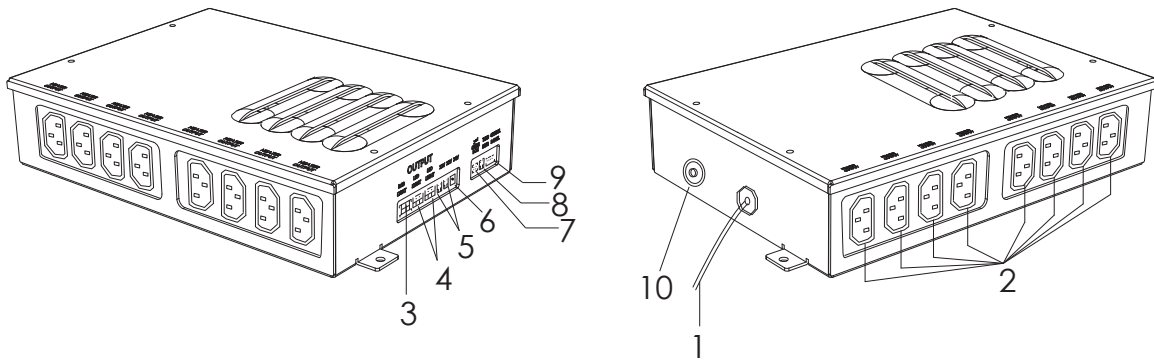


This control box is the control center of sauna room, it is installed on the top board, input/output connections as below.

- 1 Main power of sauna room.
- 2 Lamp power output cable
- 3 Heaters power output cable (LOAD A--LOAD F)
- 4 Fuse reset

- 5 12V output
- Temperature sensor connection port
- Control panel connecting
- Antenna
- USB output
- Color lamp power output
- Audio output

Control box(C)

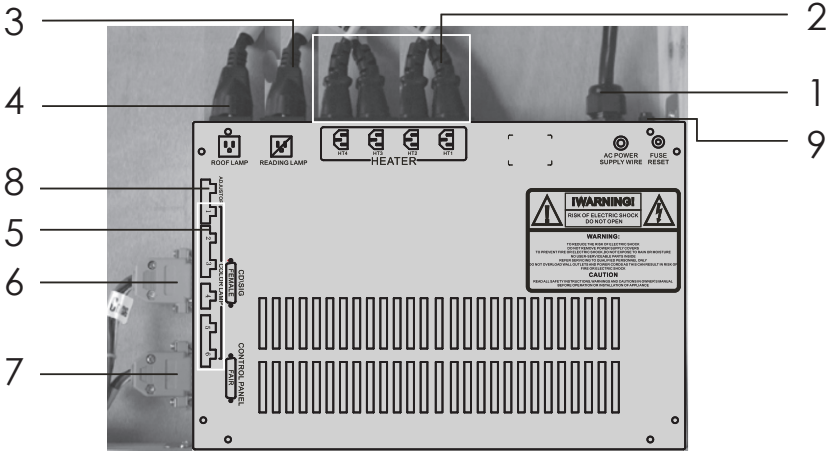


This control box is the control center of sauna room, it is installed on the top board, input/output connections as below.

- | | |
|---|--|
| 1 Main power of sauna room. | 6 24V output |
| 2 Heaters power output cable (HT1--HT8) | 7 If necessary can connect another power box |
| 3 Reading lamp power output cable | 8 Temperature sensor connection port |
| 4 Color lamp power output cable(optional) | 9 Control panel connecting |
| 5 12V output | 10 Fuse reset |

Control box(D)

This control box is the control center of sauna room, it is installed on the top board, input/output connections as below.



- | | |
|----------------|---|
| 1 MAIN POWER | main power of the sauna room |
| 2 HEATER | heaters power output cable(HT1, HT2, HT3, Ht4) |
| 3 READING LAMP | reading lamp power output cable |
| 4 ROOF LAMP | roof lamp power output cable (in some models) |
| 5 COLOR LAMP | color lamp power output cable(optional) |
| 6 CTRL | control panel connecting |
| 7 CD/SIG | signal cable group |
| 8 ADJUST | color adjust |
| 9 FUSE | fuse reset |

The function of COLOR LAMP and AD JUST is useful only when color lights are setup in to sauna

Maintenance

Before using

1. Please be sure to follow the instruction manual before operations ;
2. Prepare a towel on the seat bench to prevent sweat from dripping onto it.To avoid affecting the quality and beauty of wood.

After using

1. Please unplug the power plug in time ;
2. Open the door to let the heat and humid water vapor dissipate and keep the sauna cabin dry.

Stain on wood

1. The outer cabin can be wiped with a wrung wet towel; The inner cabin can be wiped by small vacuum cleaner.
2. Do not use organic solvents to decontaminate, such as gasoline, alcohol, etc. wipe the sauna surface;
3. Do not use sharp objects in sauna cabin to prevent scratching woods.

Stain on glass

1. Wipe the glass with soft paper;
2. Stubborn stains can be wiped with a damp cloth, then dry with a dry cloth;
3. Do not scratch the surface with a sharp object to prevent scratching the glass.

Transportation and storage

1. Avoid water, snow and intense impact during the transportation;
2. Do not store it in a humid environment;
3. The northern climate is relatively dry, often wipe the product with a wrung wet towel;
4. The climate in the south is relatively humid and can be ventilated and dried frequently.

Trouble shooting

General content

Number	Problems	Possible reasons	Countermeasure
1	Indicator light for powersupply not working	The connector is not connected properly	Check the connector or replace a new one
		No power supply input	Chick the circuitry (especially weather there is power supply input)
		Indicator light is broken	Replace the circuitry panel
2	Indicator light for function is not working	The heating indicator light is broken	Replace the relevant control panel
		The circuit board or components are broken	Replace the circuit board
		The temperature sensor is broken	Check if the connect is loosen and replace it
3	Infrared Heater not heating up	The heater is broken	Replace with a new one Of the same specifications
		The wire junction or the heater's wire is loosen	Check and make them tight
		The temperature sensor is broken	Check if junction of the temperature sensor is loosen and replace it
		The circuit board of the relay is not work	Replace the circuit board
4	Odor from the sauna	The circuit's problems	<ol style="list-style-type: none"> 1) There is eyewinker around, remove it 2) Some heater's temperature over high,cut off the power supply,replace it. 3) Parts on the circuitry is broken

Trouble shooting(A)

Applicable to Section A Controller

Number	Problems	Possible reasons	Countermeasure
1	Indicator light for power supply not working	The connector is not connected properly	Check the connector or replace a new one
		No power supply input	Check the circuitry (especially weather there is power supply input)
		Indicator light is broken	Replace the circuitry panel
2	Indicator light for function is not working	The heating indicator light is broken	Replace the relevant control panel
		The circuit board or components are broken	Replace the circuit board
		the temperature sensor is broken	Check the connect is loosen and replace it
3	Light is not working	The cable is not well connected	Reconnect
		The light source is broken	Replace a new light source
		Poor electronic transformer	Replace the electronic transformer
4	The temperature display show "EP"	Temperature sensor problem	Check temperature sensor interface and replace with new temperature probe
5	The temperature display show "H"	The temperature in the sauna room is too high	Turn off the power and wait until the temperature in the sauna room drops below 60 °C
6	Speaker does not work	The power cable on the top is not connected	Connect the top power cable
		Signal cable is not connected or loose	Check and reconnect
		Audio device damage	Replace with a new audio device

Trouble shooting(B)

Applicable to Section B Controller

Number	Problems	Possible reasons	Countermeasure
1	Poor display	Digital tube quality problem	Replace the display panel
		Digital tube driver IC is damaged	
2	Controller can't boot	CPU burned out	Replace a new CPU
		No power input	Check for power
		The controller's connection is loose	Reconnect the control computer cable
3	Temperature display is not normal	Temperature sensor damaged	Replace temperature sensor
4	Bluetooth is not paired properly	Check if other devices were paired	Disconnect the original paired device
		Check if the Bluetooth version is compatible. The system supports version 2.0 or 4.0.	Replace the matching version
		Bluetooth driver module is broken	Replace the four-in-one module
5	Radio without sound	Radio module is broken	Replace the four-in-one audio module
		Speaker cable is broken or the speaker is broken	Replace the wire or replace the speaker
		Motherboard amplifier is broken	Replace the motherboard
6	System alarm	The screen displays EO and alarms	Sensor disconnection
		The screen displays HH and alarms	Excessive temperature
		The screen displays E1 and alarms	Sensor short circuit
7	Stop heating after heating for a while	The system has overload, overcurrent protector action	First check if there is an open circuit, if no open circuit, restart current limit protector
		Temperature sensor partial overheating	Check why the partial area is overheated

Trouble shooting(C)

Applicable to Section C Controller

Number	Problems	Possible reasons	Countermeasure
1	Light bulb is not working	Light bulb is burned out	Replace the light bulb
		Light bulb wiring is loosen	Replace the lamp holder
		Problems with electrical control panel	Repair or replace it
2	Sauna is not power up	Power cord is unplug	Plug back power cord to outlet
		Outlet has no power	Check outlet or circuit breaker
		Power supply or circuit panel is broken	Replace the power supply or related circuitry board
3	Music Player doesn't work	Power connector is loose or damage	Check connector or replace it
		DC power supply is no power to the music player	Check DC power supply wiring or replace the power supply
		Music player is defective	Replace the music player
4	Speaker does not work	The speaker is broken	Replace with a new one of the same specifications
		The speaker wire is loosen	Reconnect the speaker wire
		The power indicator light for music player is off	Turn on the switch to start work
5	The temperature display show "Er1"	NTC open circuit, wire is not well connected	Check and well connect
6	The temperature display show "Er2"	NTC open circuit	Change Thermostat
7	The temperature display show "Er3"	Under -15°	Can't be functional under too low ambient temperature
8	The temperature display show "Er4"	Thermostat breakdown	Change Thermostat

Trouble shooting(D)

1. No Heat Coming From Some Of The Heat Emitters

Solution: Check to make sure all the heat emitter cords are properly connected, including the cord to the heat emitter underneath the bench (if applicable). Go to the roof, and also check that the heat emitter cords are properly connected to the cords on the roof and that those cords are properly plugged into the power supply.

Solution: If some of the heat emitters are working, then the ones which are not working may have been damaged. Do not continue to operate. Contact the manufacturer for replacement parts.

Solution: If the heat emitters are not working but the control panel displays the time and temperature, then the temperature sensor may not be plugged in properly or it may be damaged. Turn the control panel off and then go to the roof of the sauna and locate the red and black wires near the air vent towards the rear of the sauna. After you have located the red and black wires labeled "TEMP SENSOR", disconnect them. Connect the spare temperature sensor. For testing purposes, insert the "TEMPSENSOR" (you just connected) down the vent on the roof so that it is now inside the sauna. Then go to the control panel and press the power button. If the heat emitters now have heat, then the "TEMPSENSOR" was the cause of the problem. You may have to wait about five minutes to confirm if the heat emitters are generating heat. Remove the original temperature sensor from its hole and replace it with the spare one.

2. Control Panel Malfunctioning

Solution: The control panel will turn on, but not off and the displayed numbers flash. The issue may be a connection problem. Go up to the roof and locate the "CTRL" wire harness you connected when the roof was installed onto the sauna room. Disconnect the "CTRL" wire harness, check the pins to make sure they are straight and not bent, and firmly reconnect the "CTRL" wire harness. Attempt to turn the sauna on at the control panel and check to see if the buttons are now responding. Contact the manufacturer for any additional troubleshooting.

Solution: The control panel will not turn off, the power/work/or heat lights do not come on, or the temperature and timer buttons do not work means the control panel may have been damaged and will need to be replaced. Contact the manufacturer for additional troubleshooting.

3. Sauna Shows Signs Of No Power

Solution: There could be one of a few problems causing this. First, check to see if the cord from the power supply is plugged into the wall outlet. Also check your main circuit breaker to confirm that it has not tripped. Check the power supply on the roof of the sauna to make sure there are no signs of malfunctioning, such as a high temperature, burning odor, or strange sounds. Also, check to make sure none of the power cords are damaged. If the power supply is malfunctioning or power cords are damaged, then unplug the sauna immediately and contact the manufacturer.

Solution: If your sauna is plugged in and you have no power at the control panel, then the power supply may need to be reset. Go to the roof of the sauna and locate the power supply. Press the RESET button to reset the power supply. The RESET button is on the same side of the power supply as all the heater cord connections. Attempt to turn the sauna on at the control panel. Contact the manufacturer for any additional troubleshooting.

Solution: There could be damage to the temperature sensor. If your sauna arrived with a spare temperature sensor, turn the control panel off and go to the roof of the sauna and locate the red and black wire near the air vent towards the rear of the sauna. After you have located the red and black wires labeled "TEMPSENSOR", disconnect them. Connect the spare temperature sensor. For testing purposes, insert the "TEMPSENSOR" (you just connected) down the vent on the roof so that it is now inside the sauna. Then go to the control panel and press the power button. If the heat emitters now heat, then the temperature sensor was the cause of the problem. You may have to wait about five minutes to confirm if the heat emitters are generating heat. Remove the original temperature sensor from its hole and replace it with the spare one.

Solution: Check the wiring harnesses coming from the power supply located on the roof of the sauna. Make sure the wiring harness labeled "CTRL" is connected to the power supply at one end and connected to another wiring harness labeled "CTRL" at the other end. If this wiring harness is not properly connected, then the sauna will show signs of having no power.

Infrared Sauna

Operating instruction