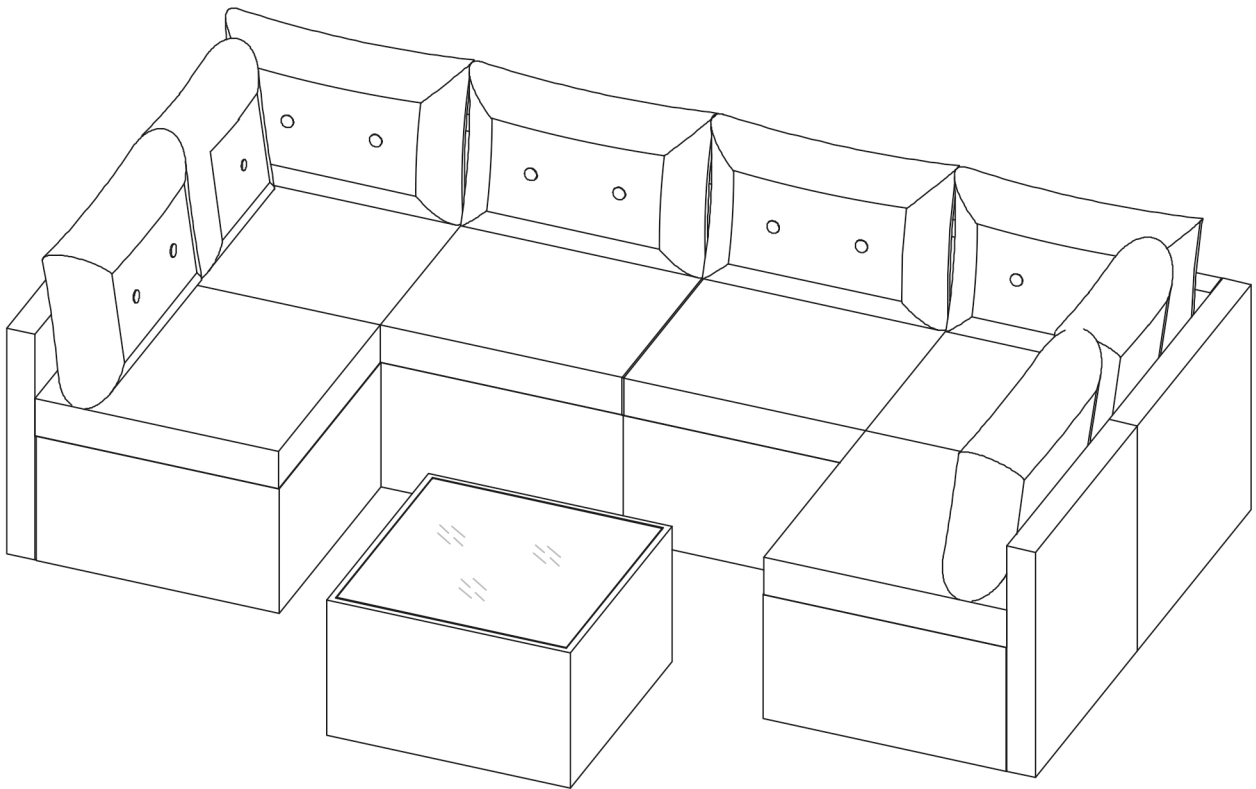


Rattan Wicker Sofa

TXYD-024/025/026/027/055

ORIGINAL INSTRUCTION MANUAL

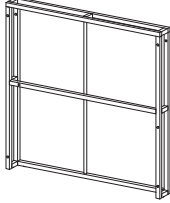
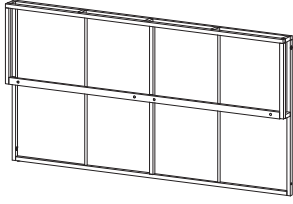
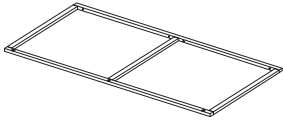
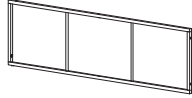
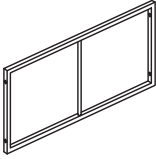
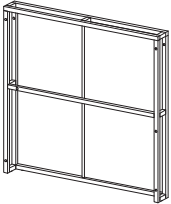
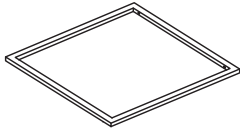
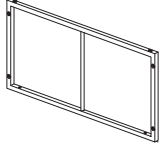
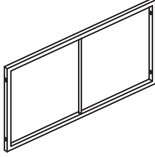
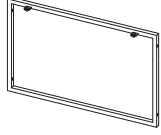
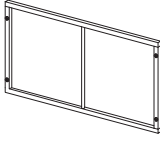
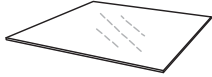
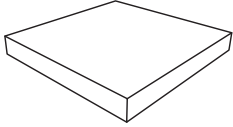
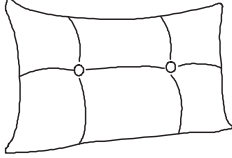
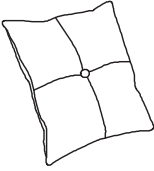



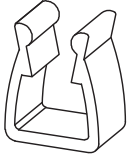

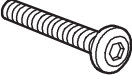
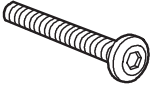
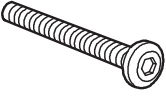
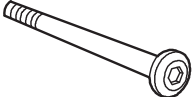
Attention: There a middle sofa and two corner sofas in the box!


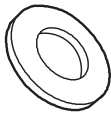

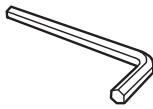




DEAR CUSTOMER,

Thank you for choosing our product. Please read this manual carefully before assembling or using the product, to avoid damage caused by improper use. If the product is passed on to third parties, this manual has to be passed on along with the product. For any question don't hesitate to contact us.

PARTS LIST

A1  2x	A2  2x	A3  2x	A4  2x
A5  2x	B1  2x	B2  2x	B3  2x
B4  4x	C1  2x	C2  2x	C3  1x
D  6x	E  6x	F  2x	G  6x
H  6x	I  2x	J  6x	K  20x
L1  M6x35 42x	L2  M6x45 6x	L3  M6x55 12x	L4  M6x90 2x

L5 18x 	L6 80x 	L7 1x  SPANNER	L8 2x  SPANNER
L9 2x  SPANNER	L10 1x  Glove		

ASSEMBLY

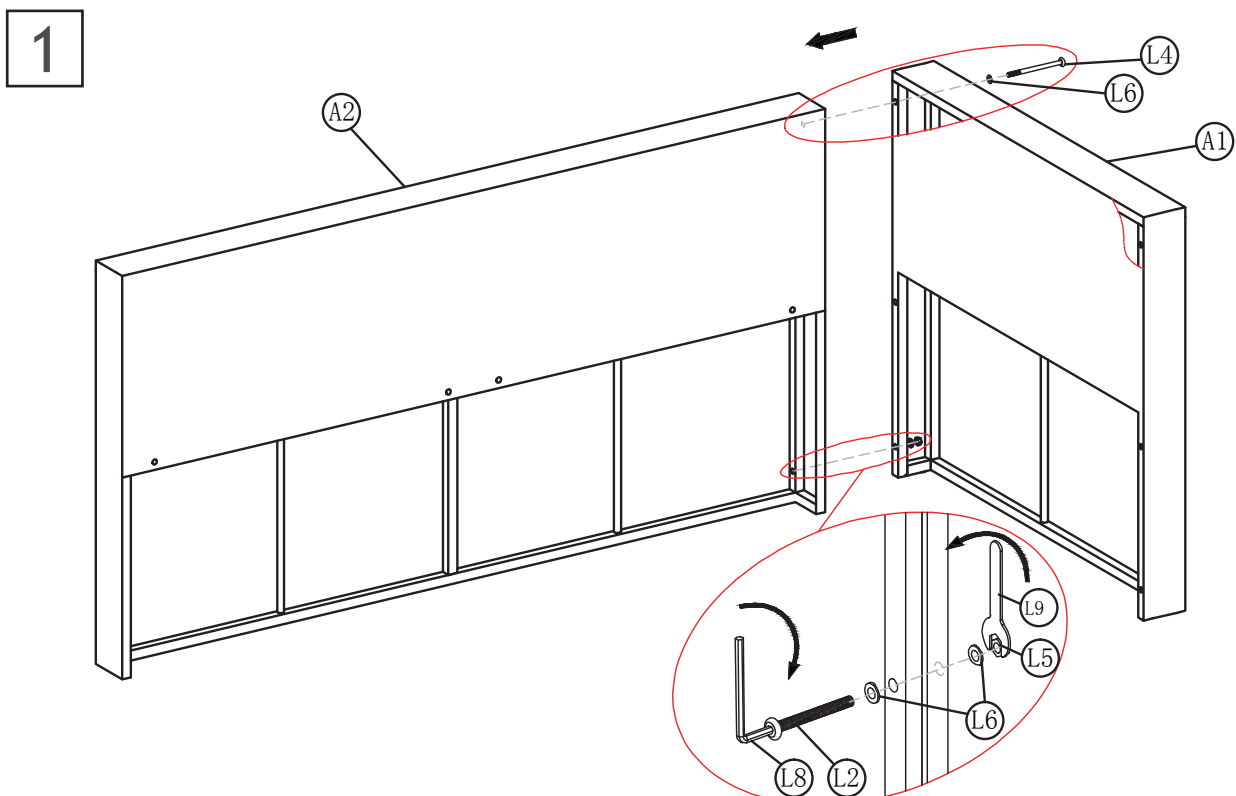
Liddle sofa asselbly

Before your installation, please make sure that you have all the parts listed on the manual. If you find something missing, stop installing and contact your supplier immediately.

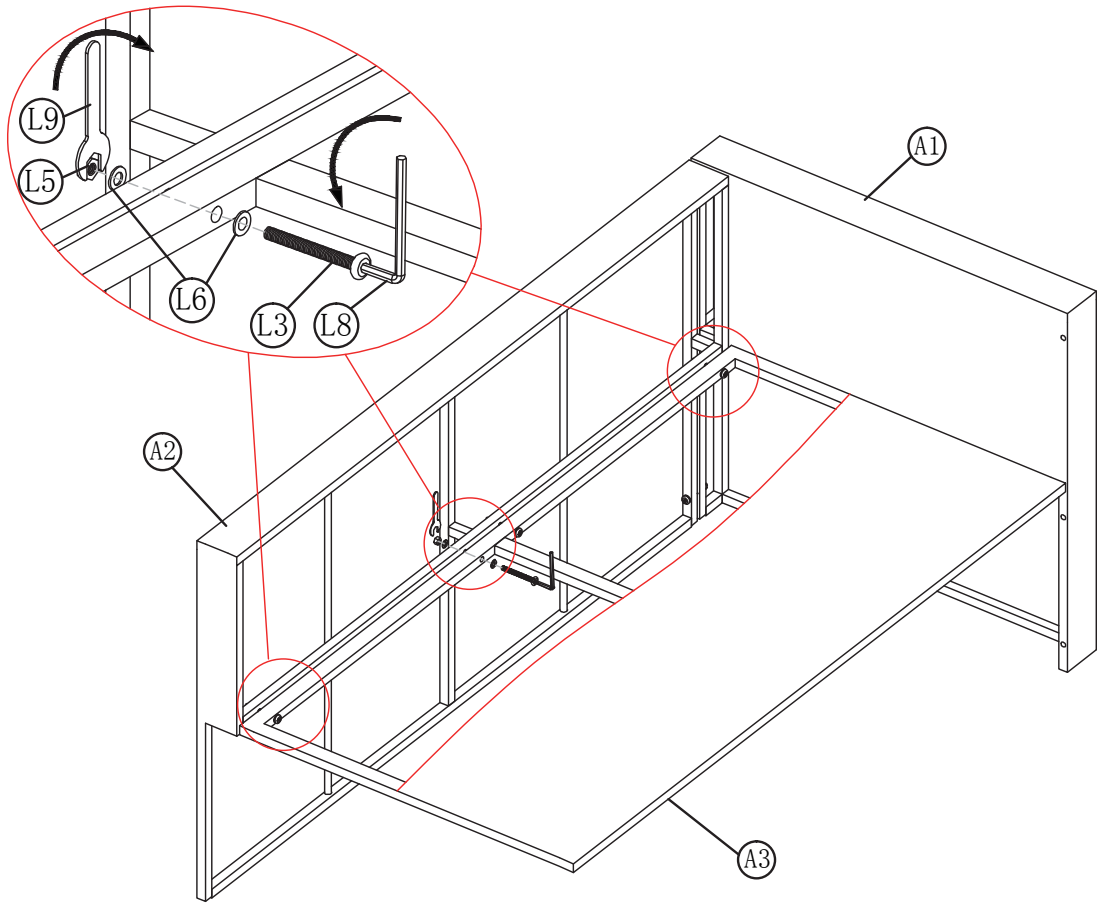
⚠ Warning

 Please wear gloves before asselbly.

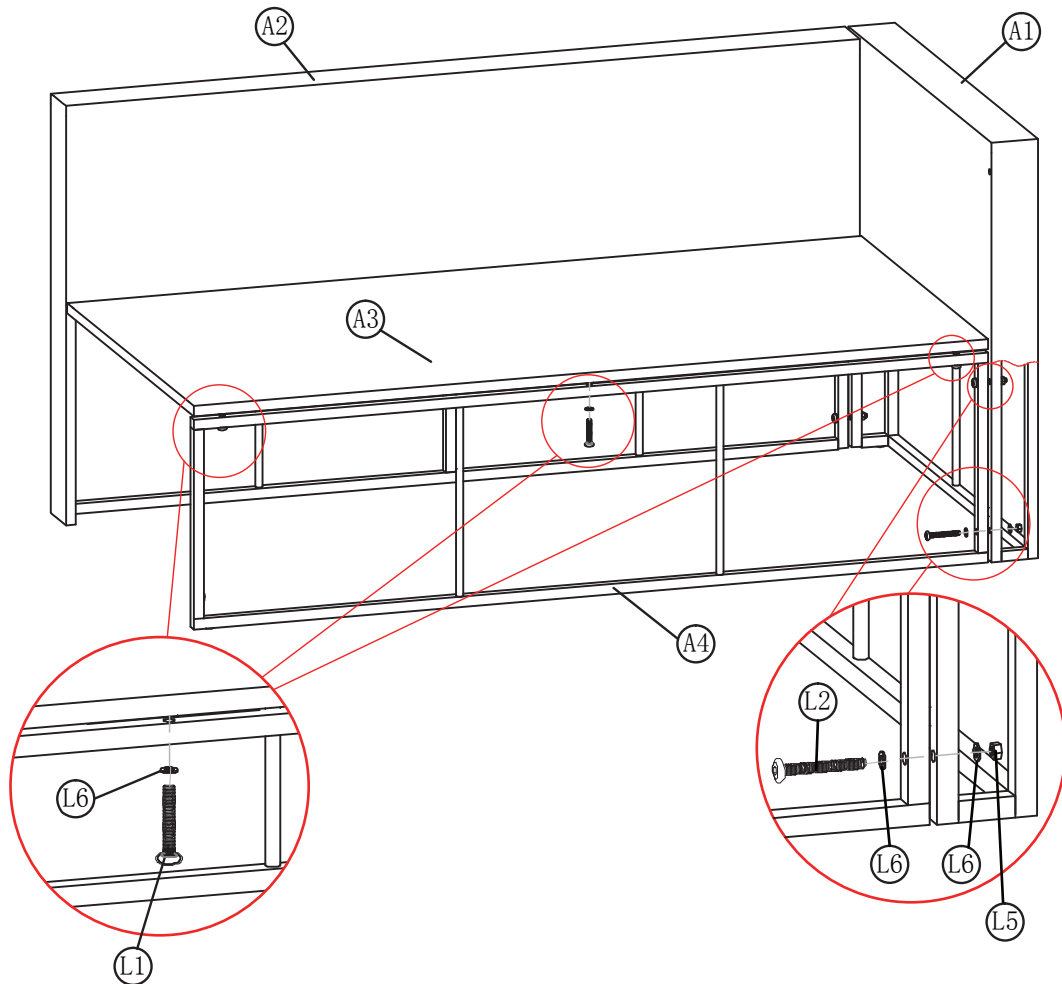
Do not tighten when asselbly, tighten all parts after asselbly.



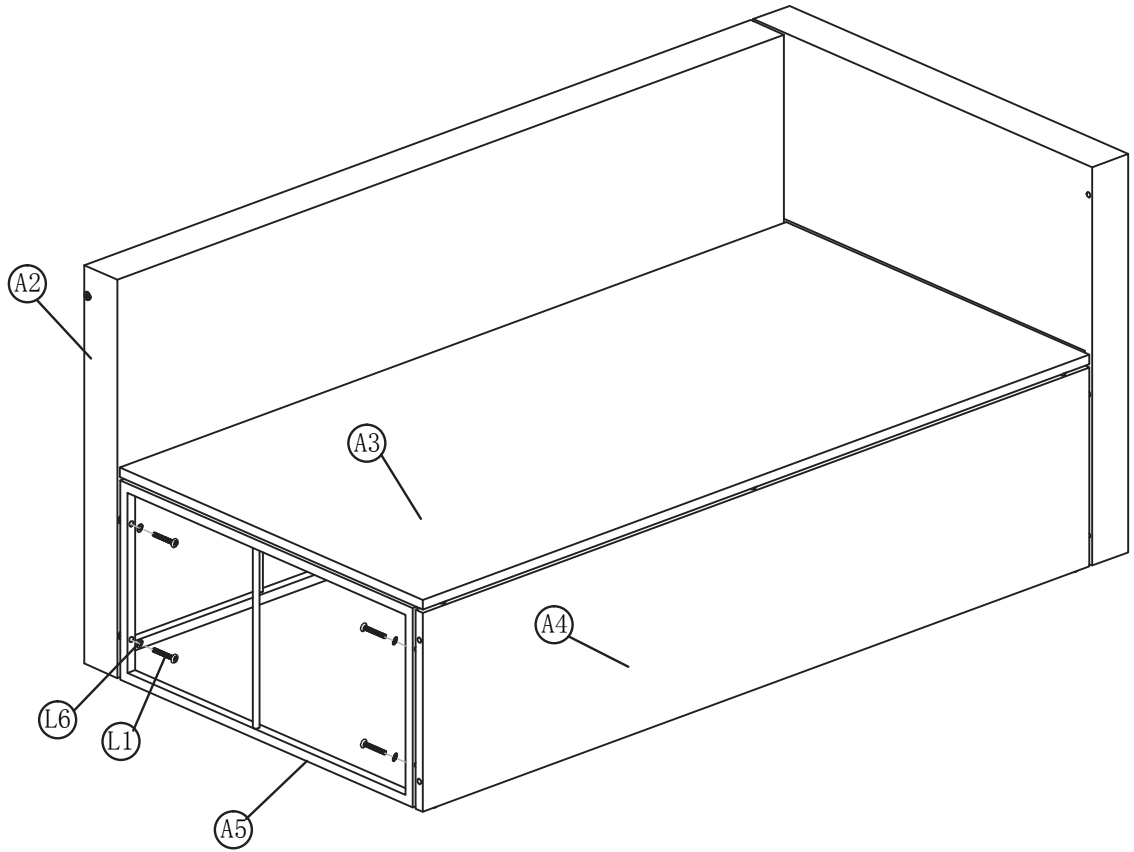
2



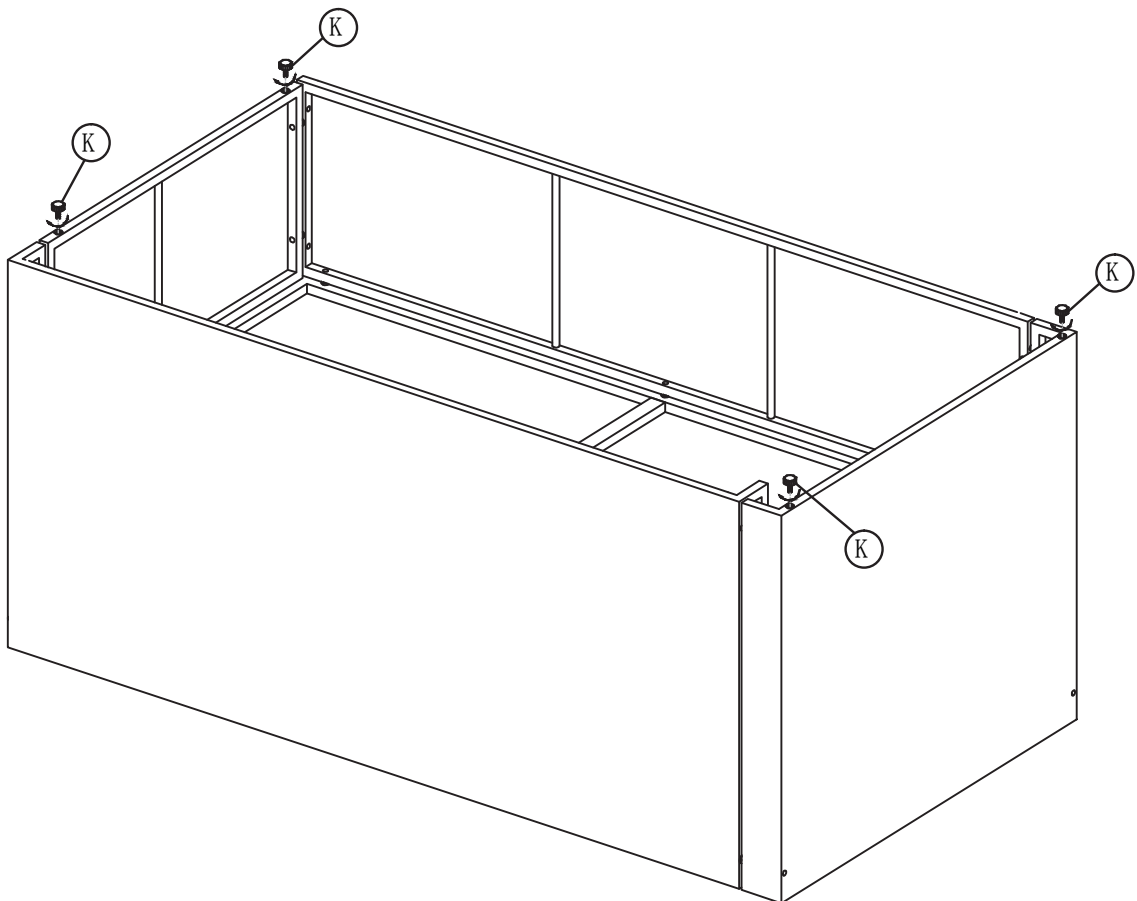
3



4



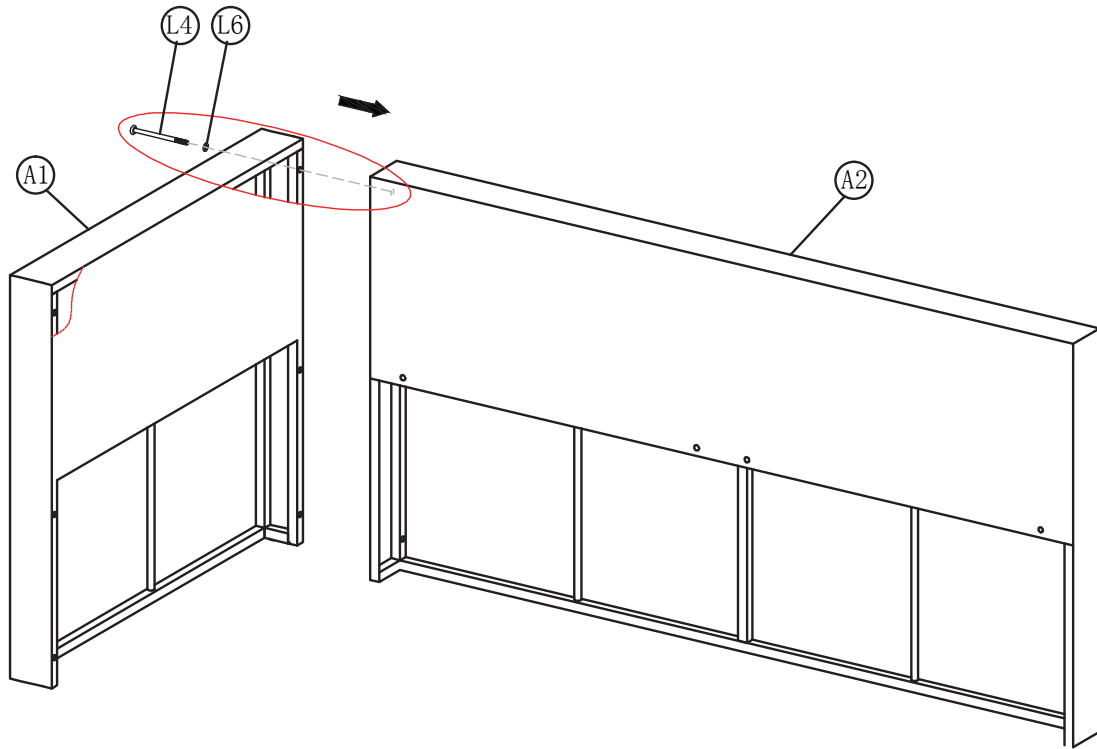
5



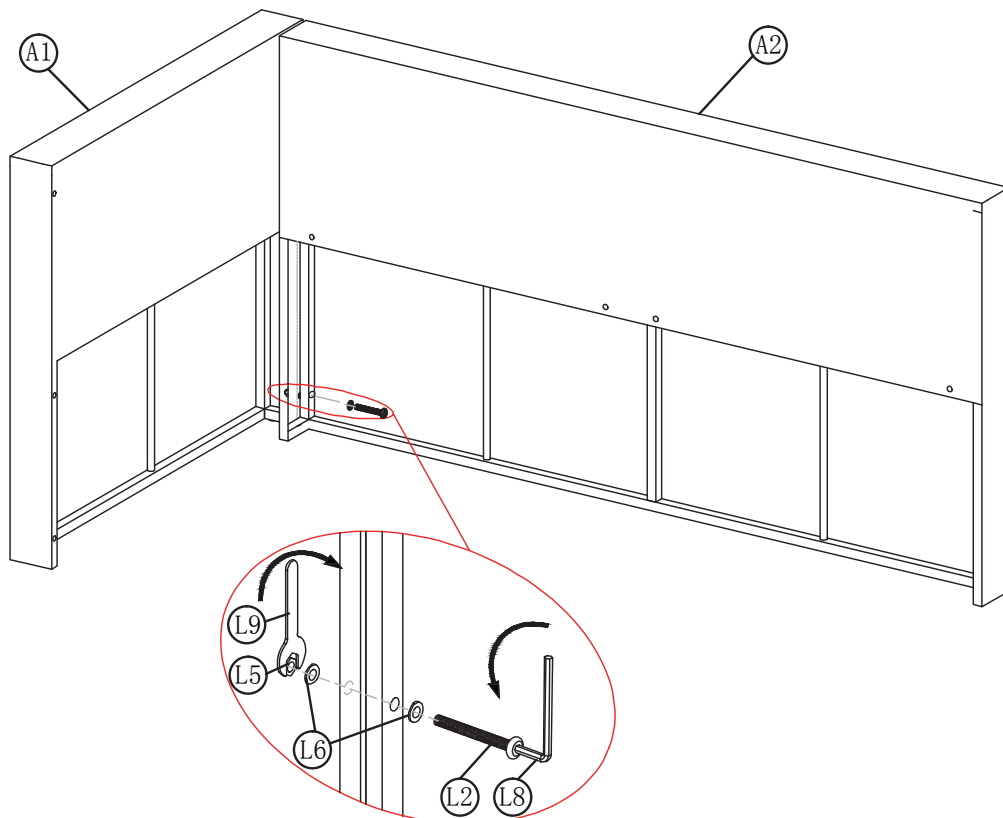
Liddle sofa asselby

Do not tighten when asselbing,tighten all parts after asselby.

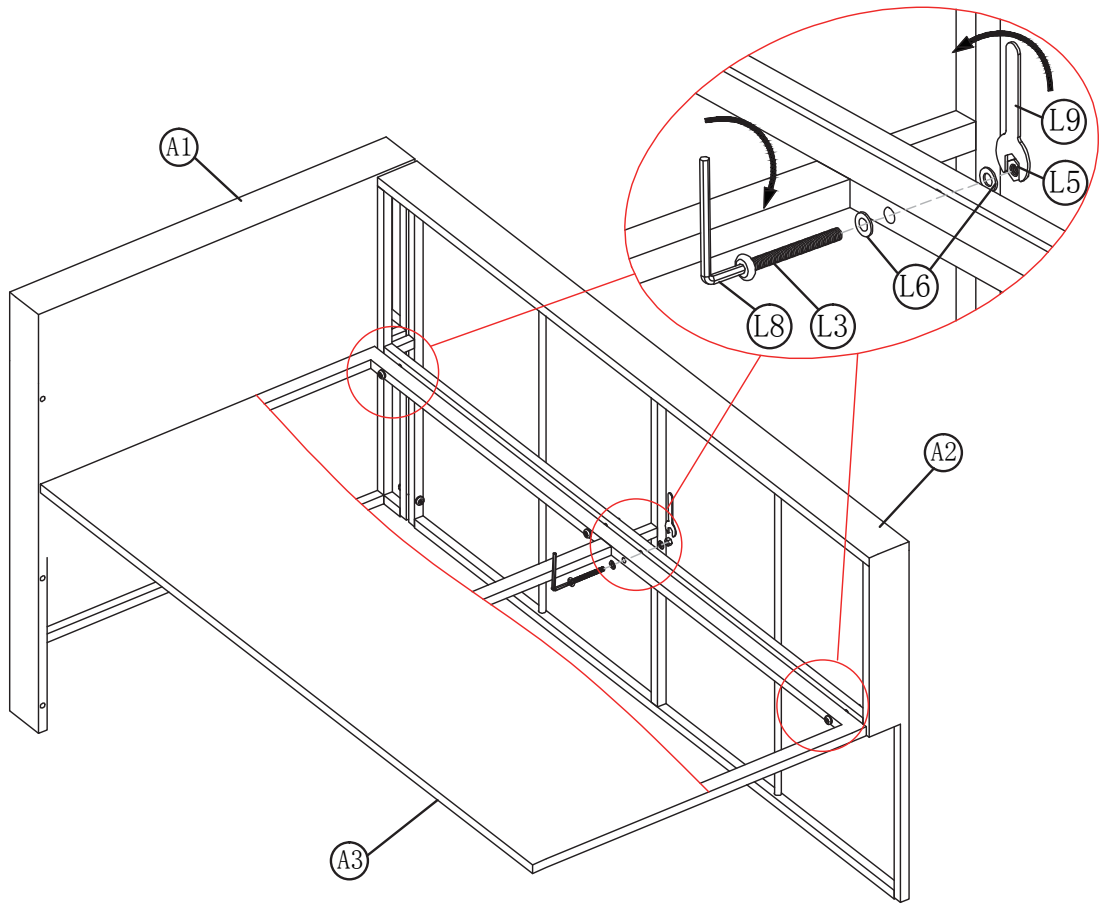
1



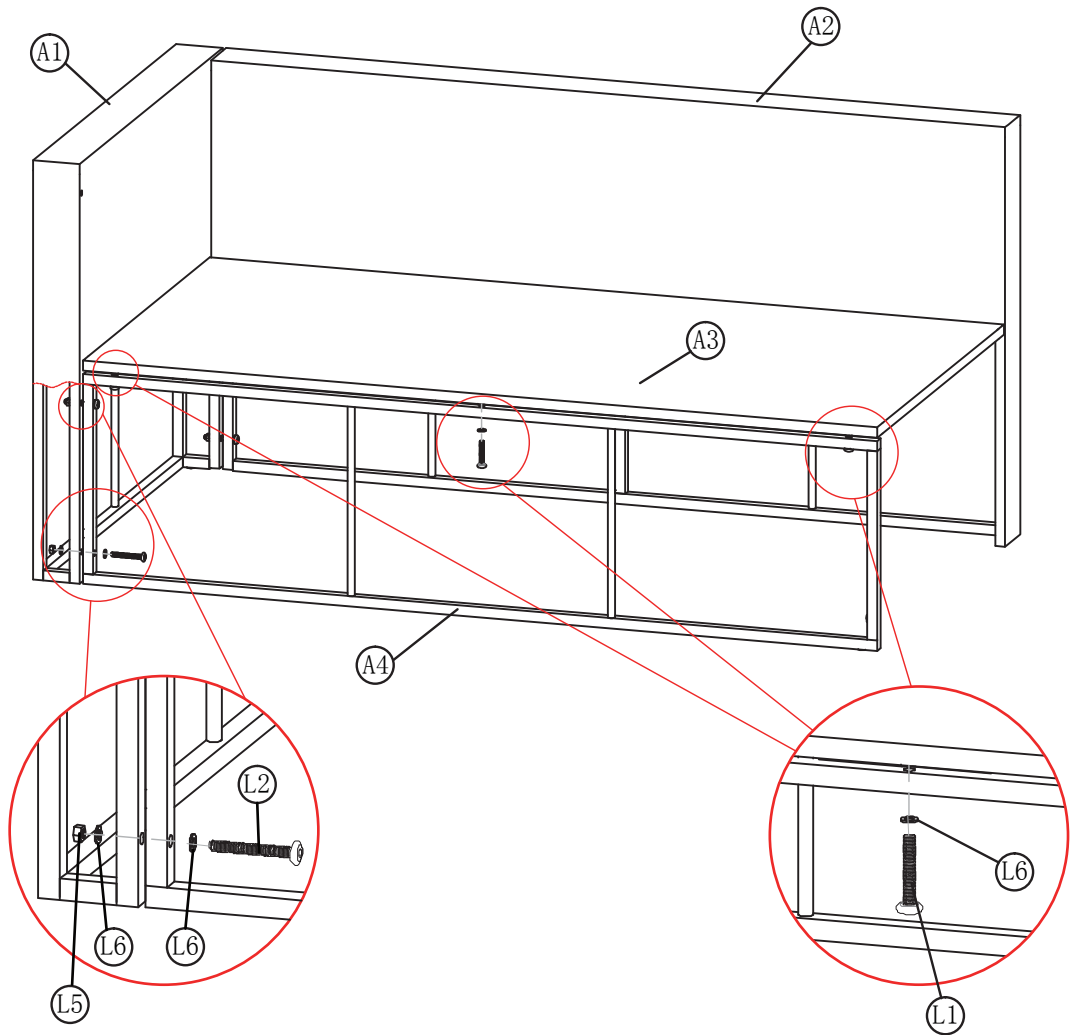
2



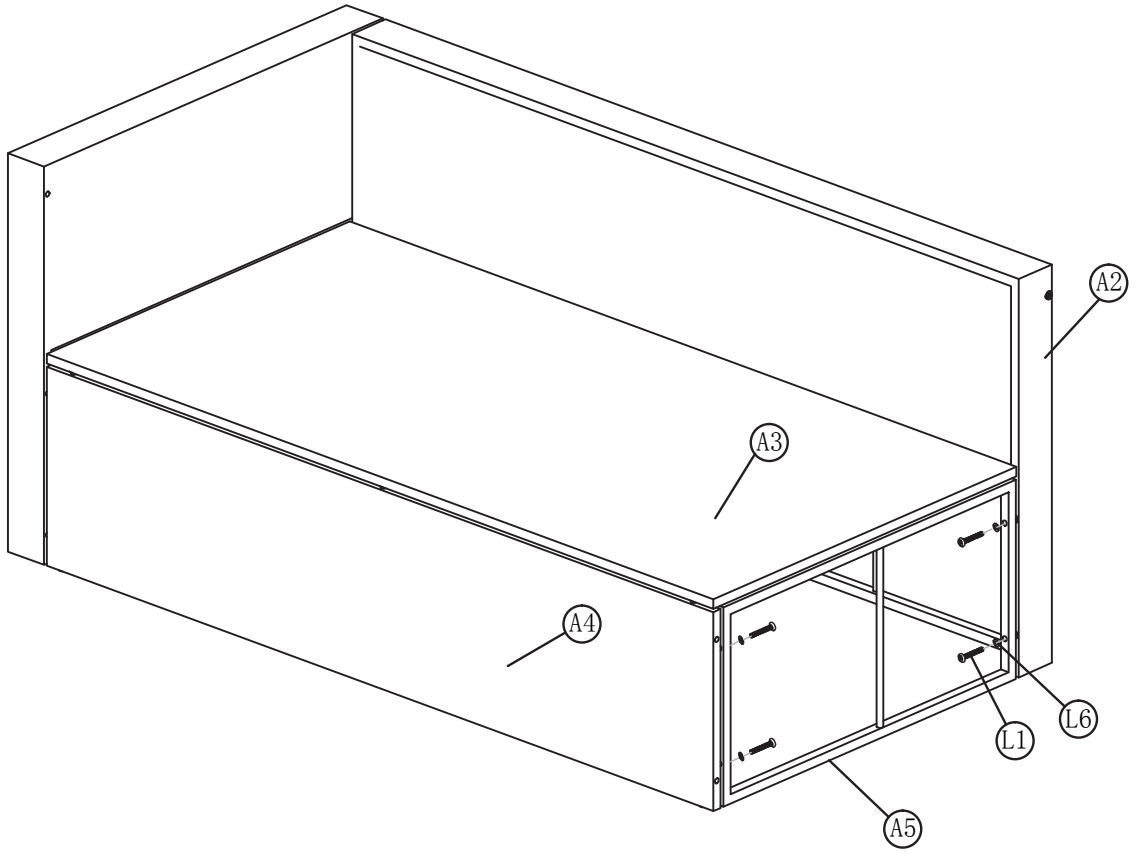
3



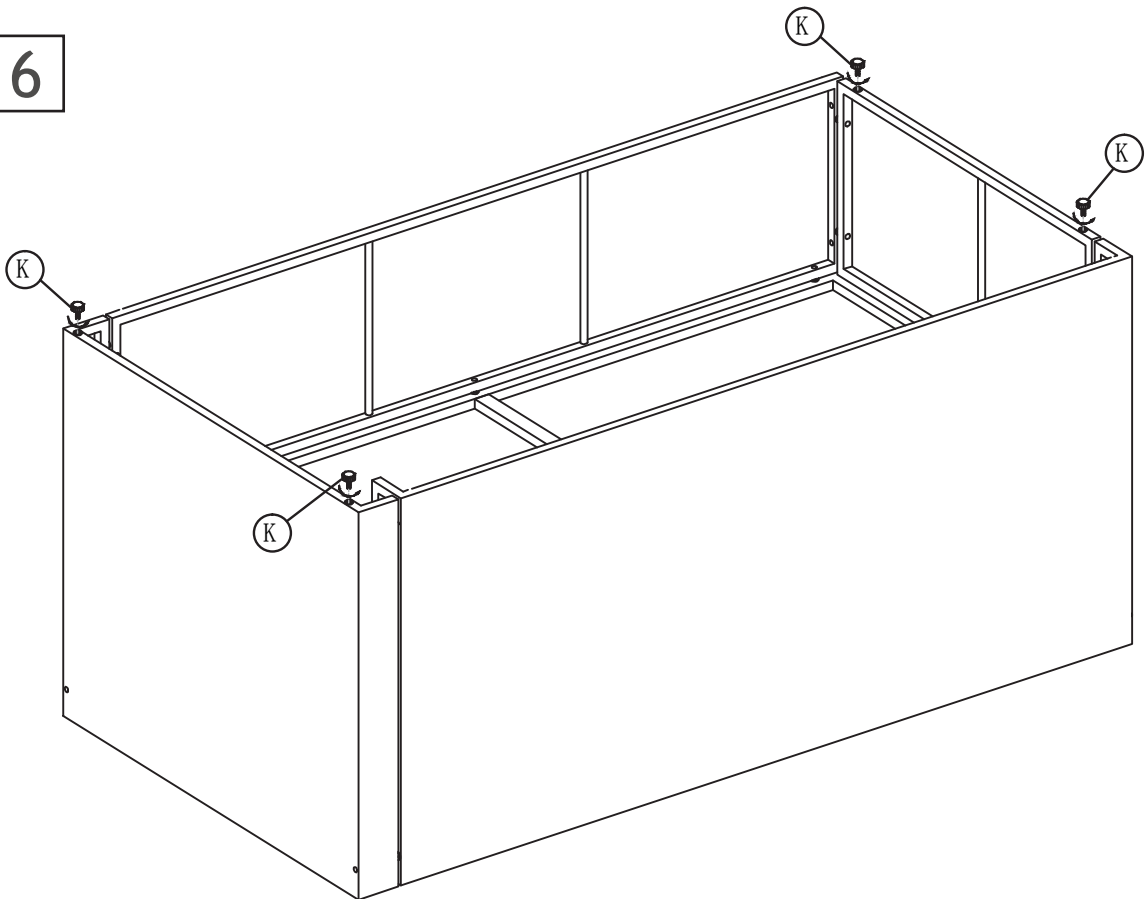
4



5



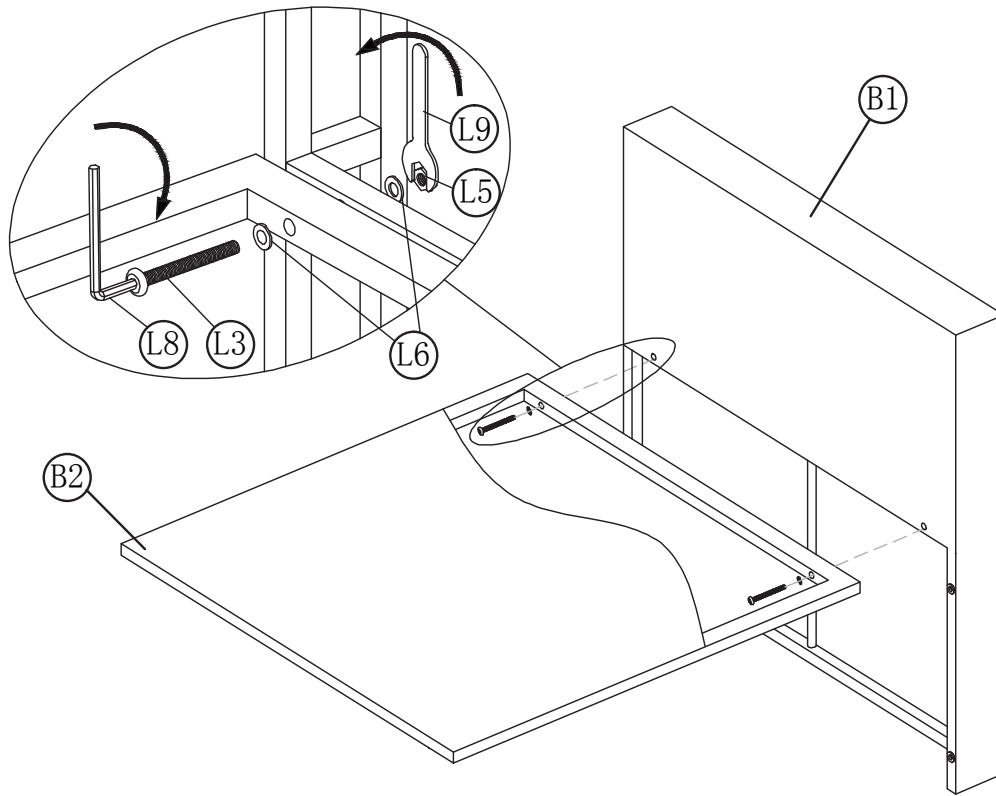
6



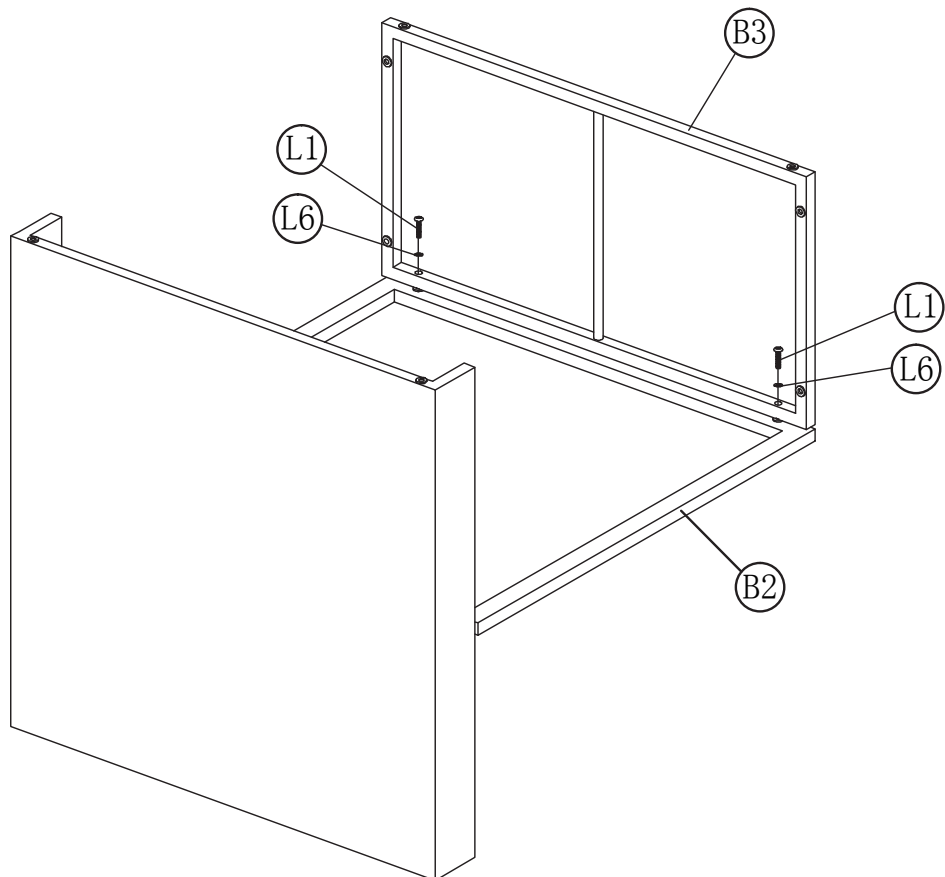
Single sofa asselbly

Do not tighten when asselbling,tighten all parts after asselbly.

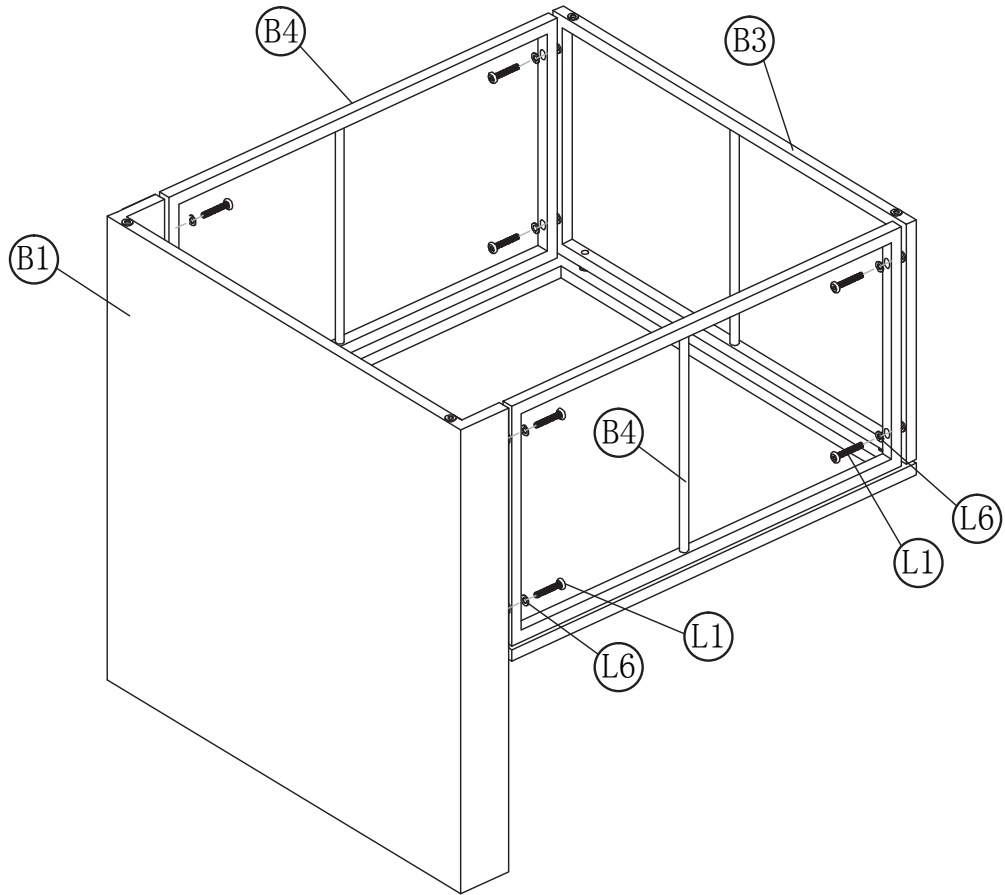
1



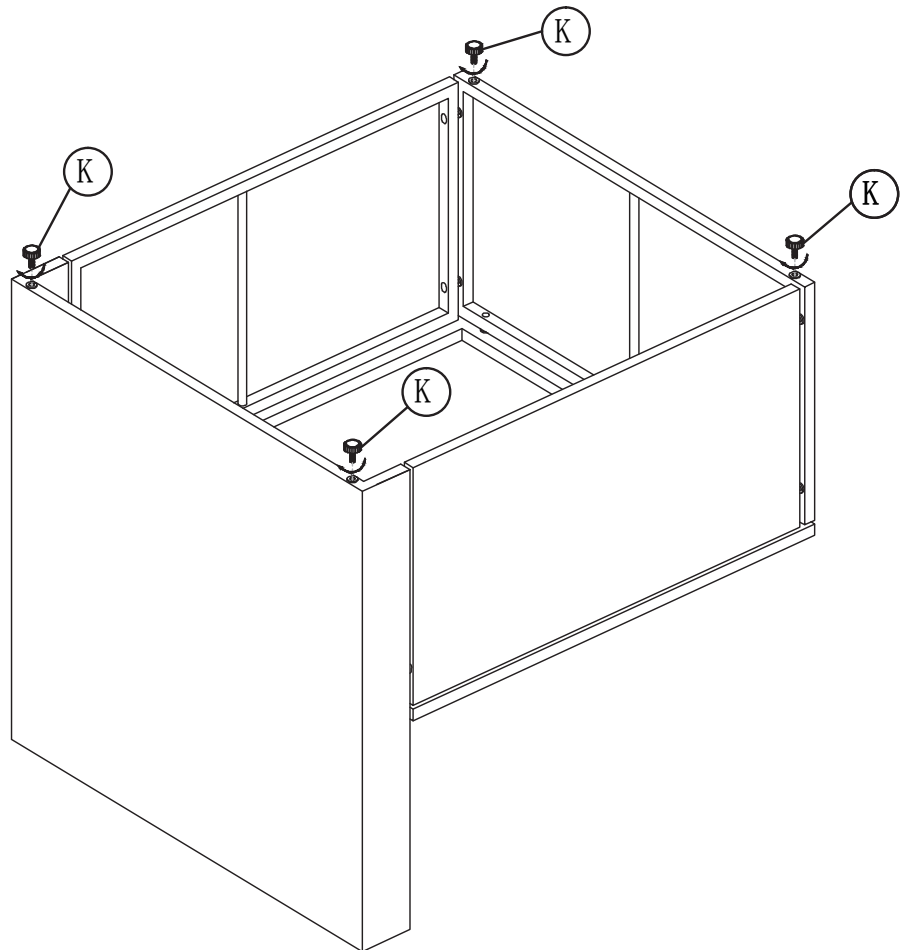
2



3



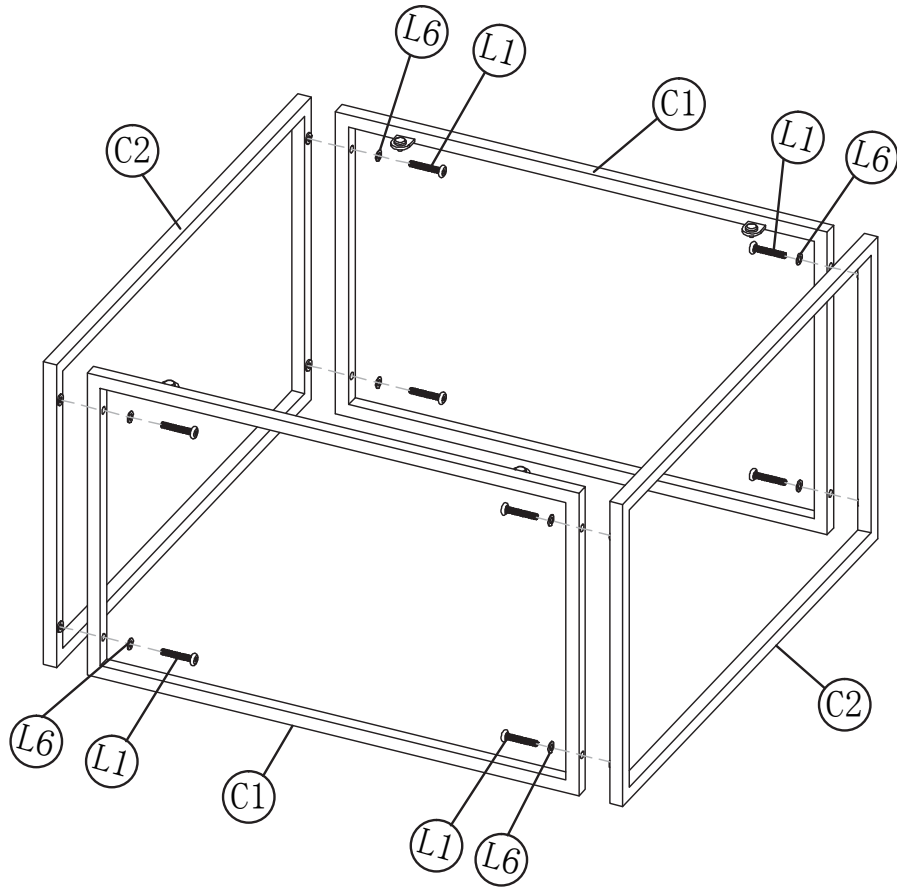
4



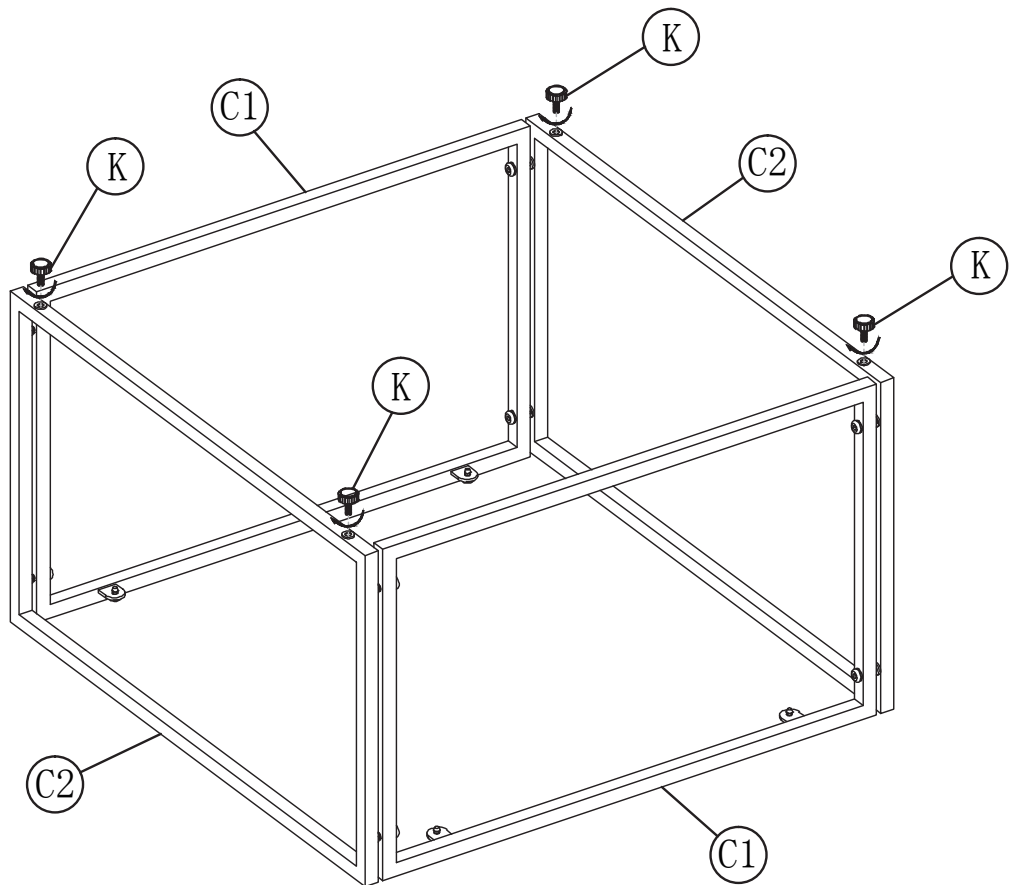
Coffee Table asselby

Do not tighten when asselbling,tighten all parts after asselby.

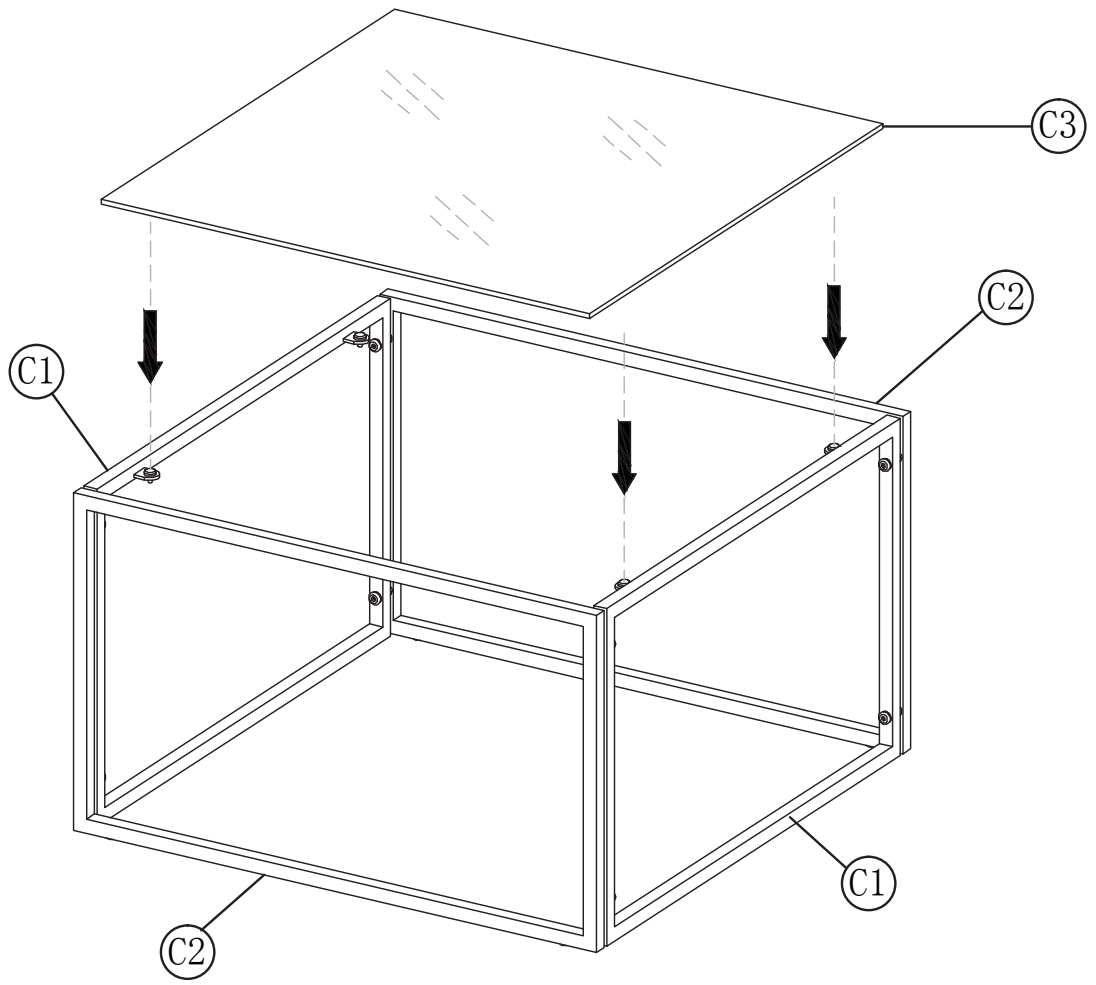
1



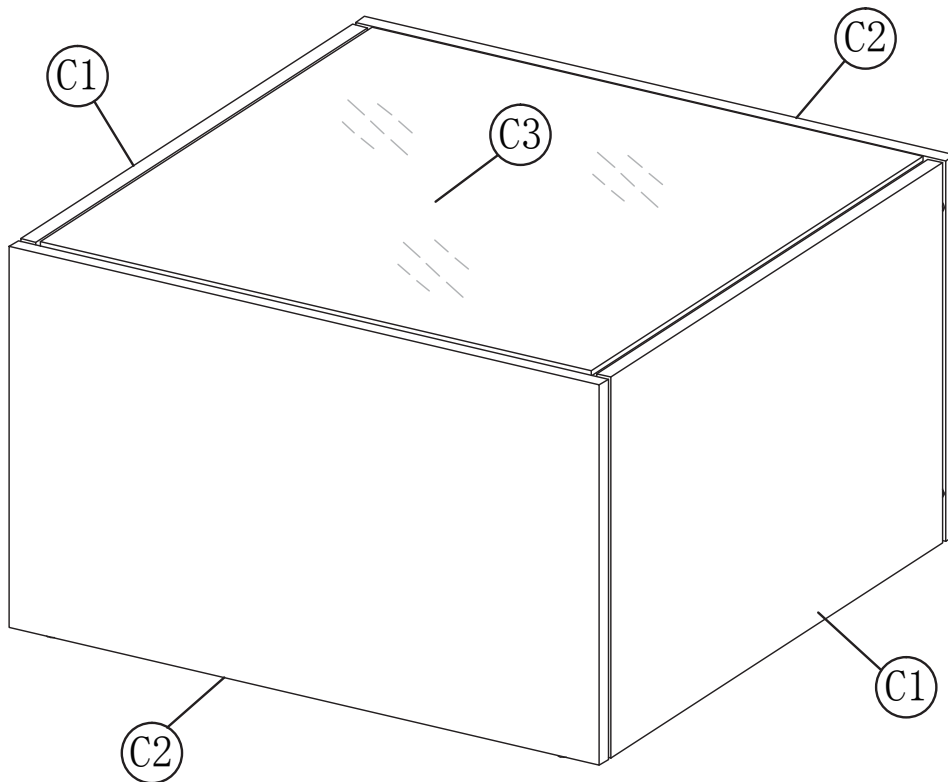
2



3

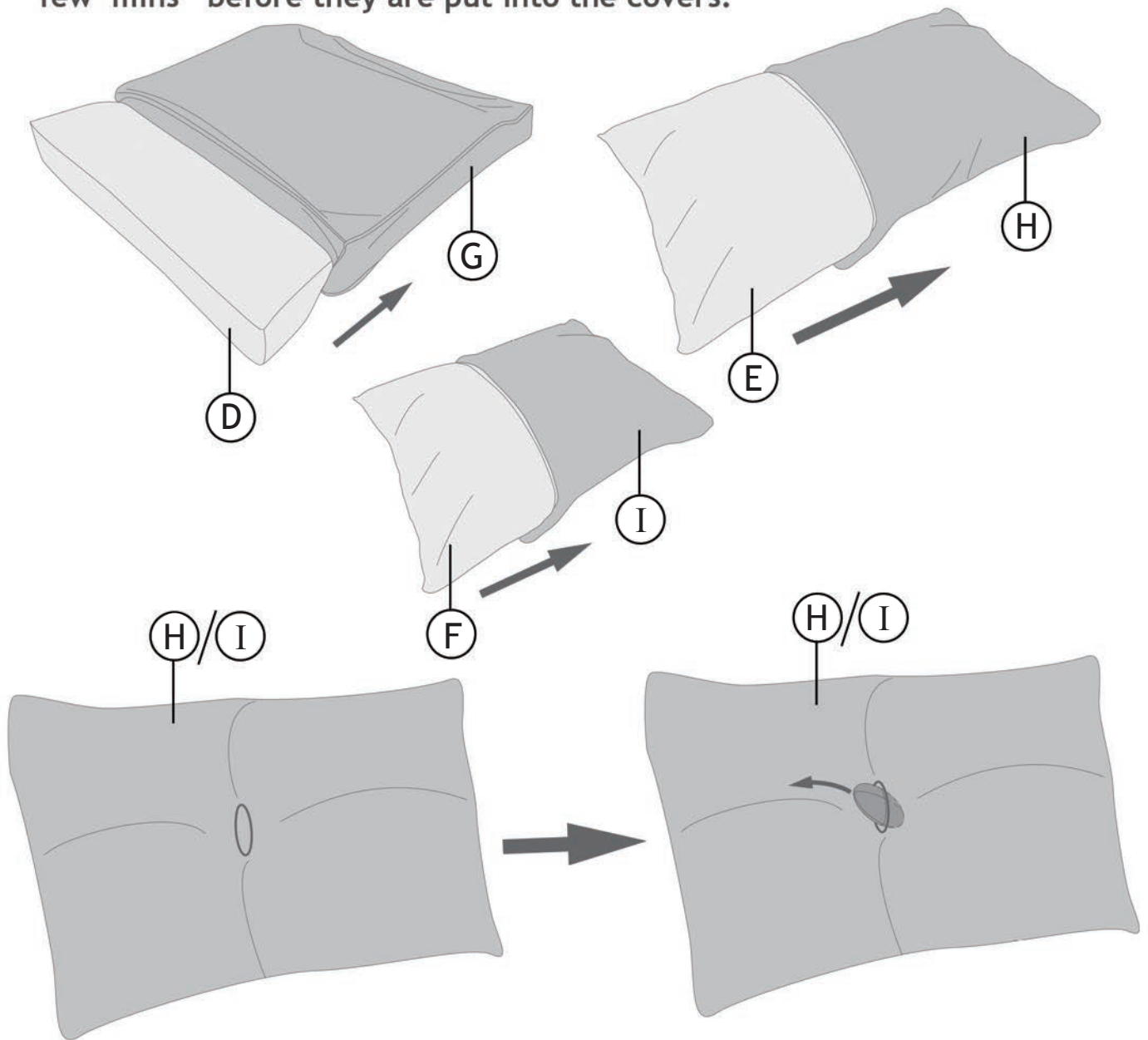


4



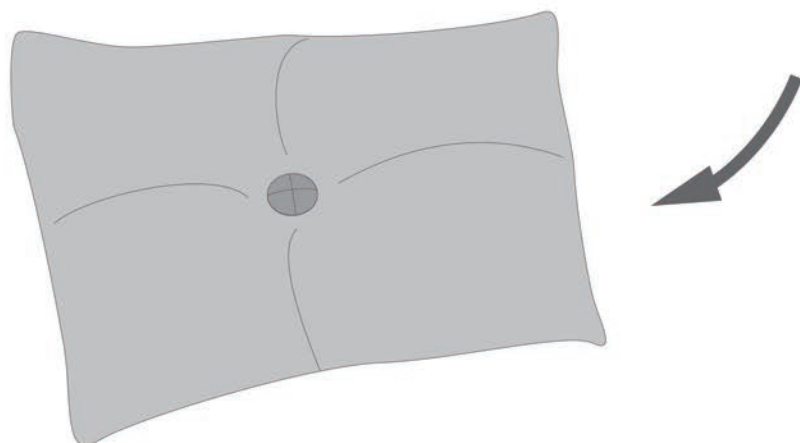
The pillow and cushion assembly

The compressed cushions will inflate with opening the packing within a few mins before they are put into the covers.



1. Put the pillow into the cover.

2. Pull the button out from the Buttonhole.



As is shown, Use clips (J) to keep the sofas connected.

