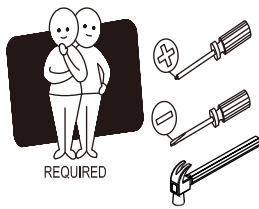
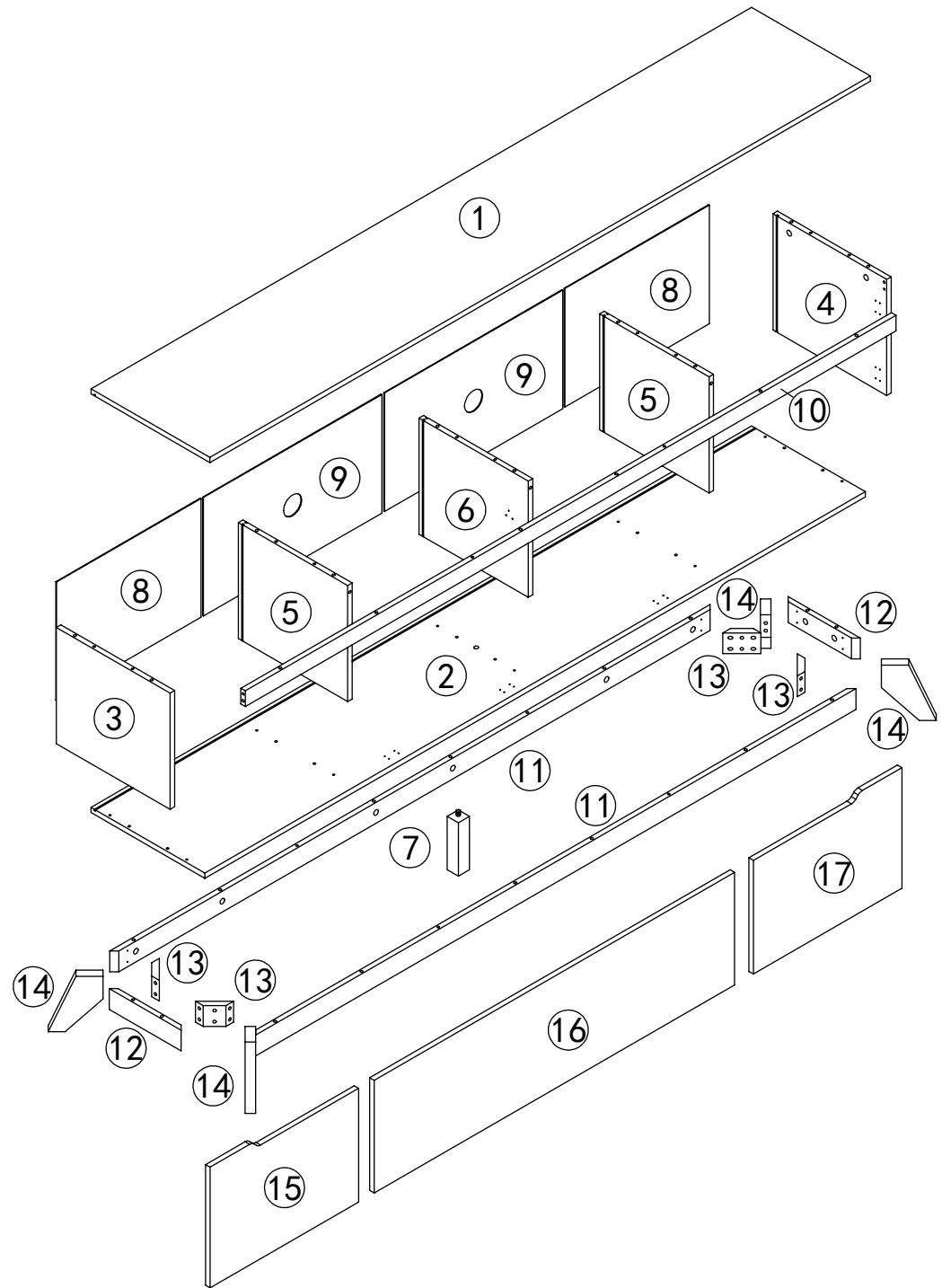
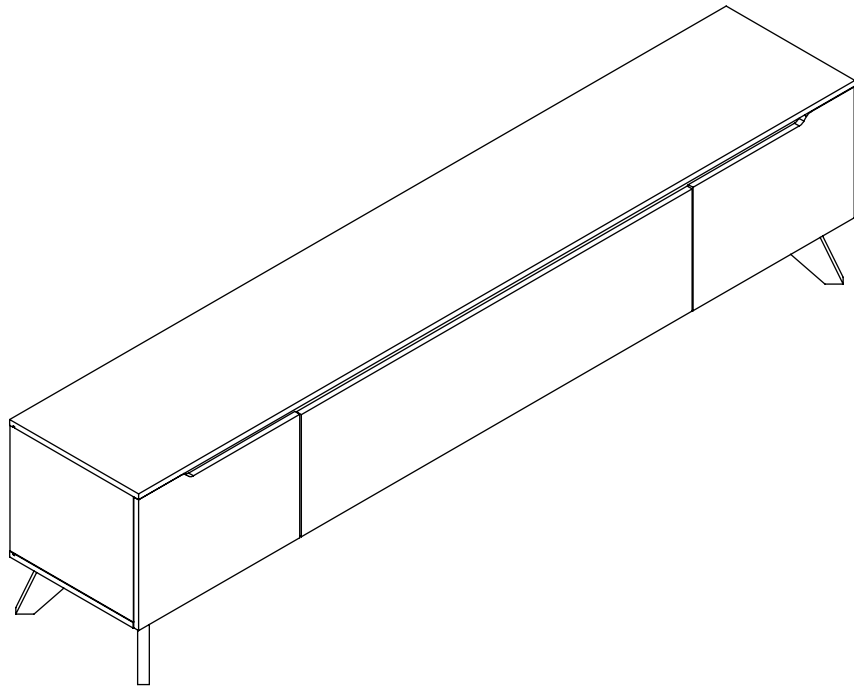






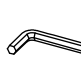













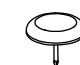
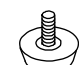


TWO PEOPLE



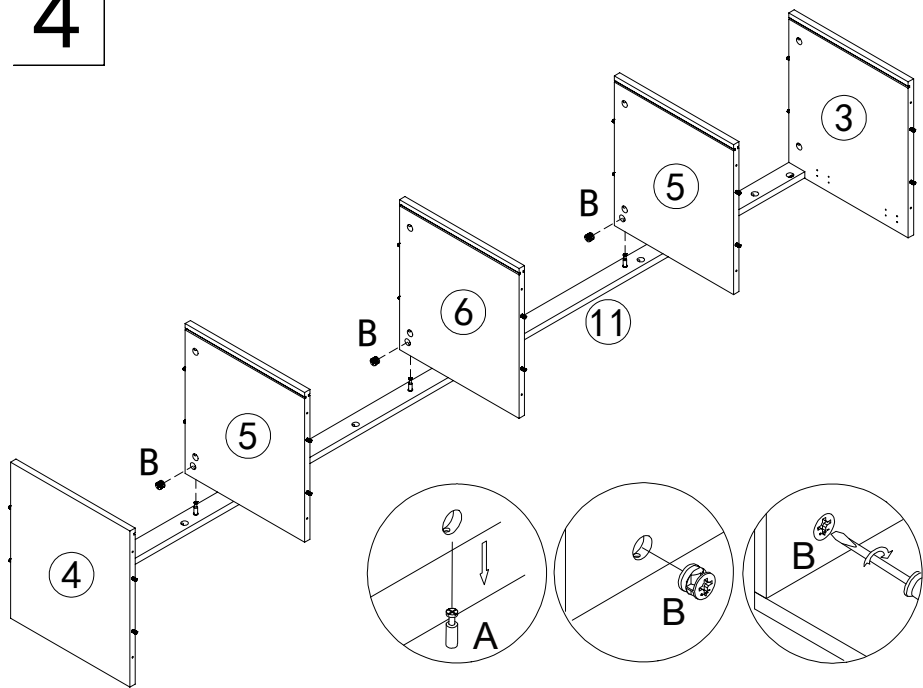
REQUIRED



A	x37	B	x37	C	x28	D	x10	E	x16	F	x2	G	x1
													
7x35mm		15x9.3mm		Ø6x30mm		4x40mm		4x25mm		4x30mm			
H	x5	I	x16	J	x7	K	x2	L	x42	M	x2	N	x8
													
3x12mm		3x14mm				4x14mm		3.5x14mm					
O	x1	P	x2	Q	x8	R	x8	S	x4	T	x1		
													



4

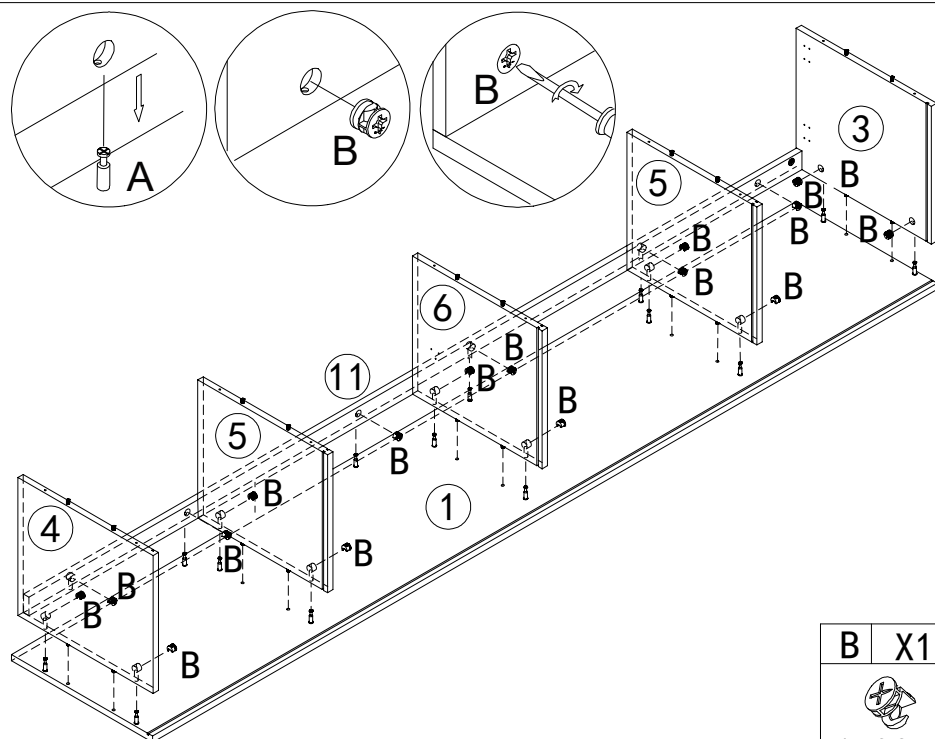


B X3



15x9.3mm

5

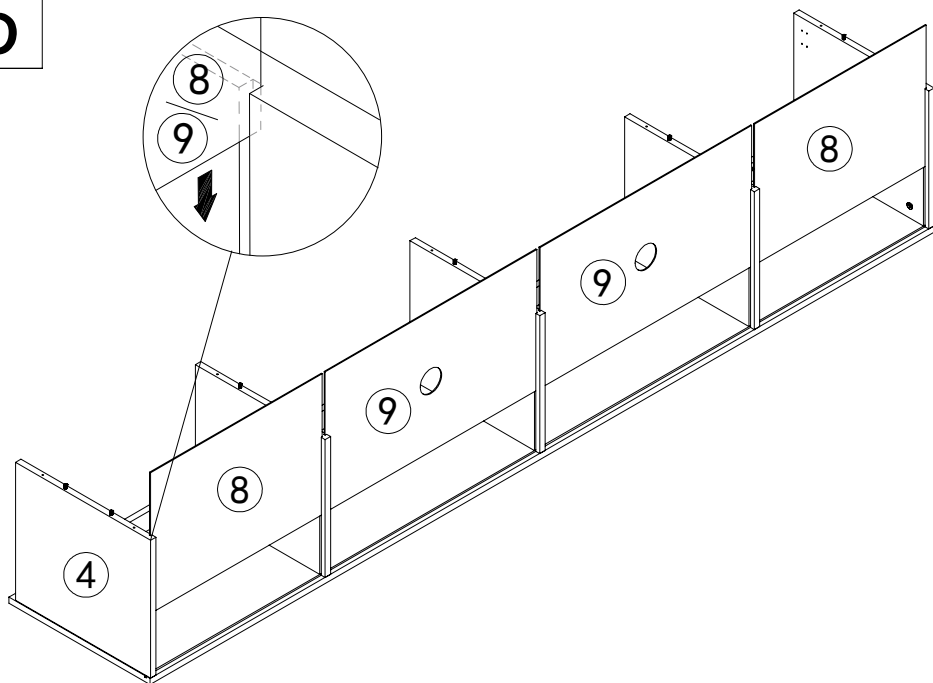


B X16

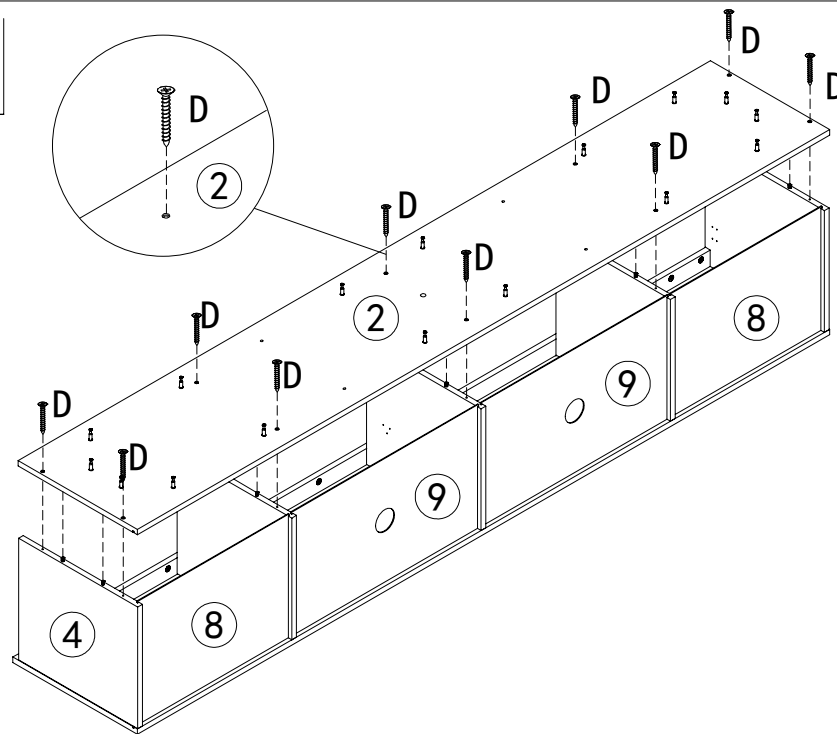


15x9.3mm

6



7

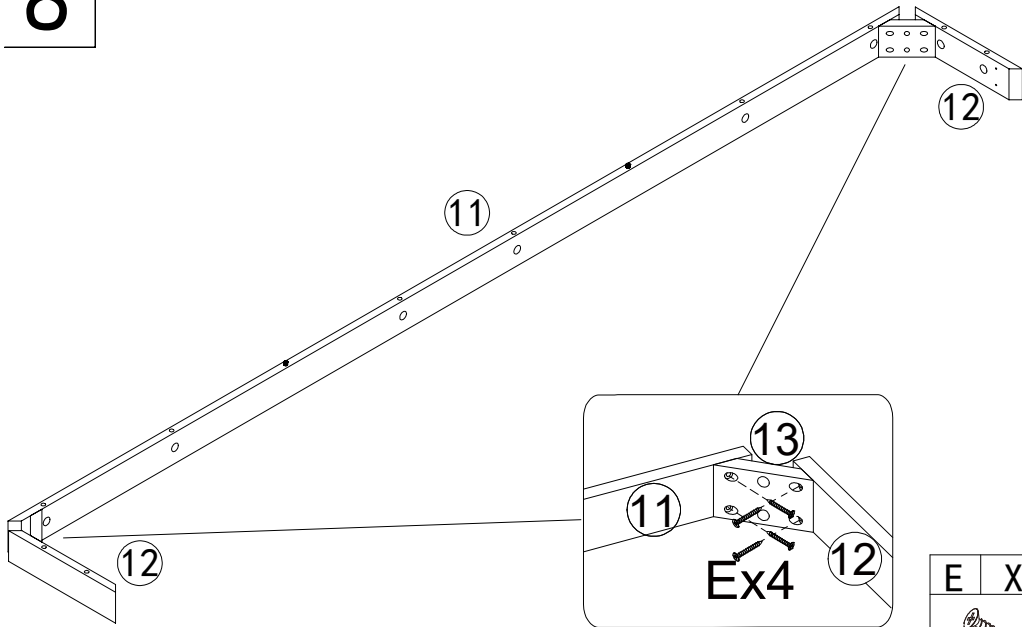



D X10



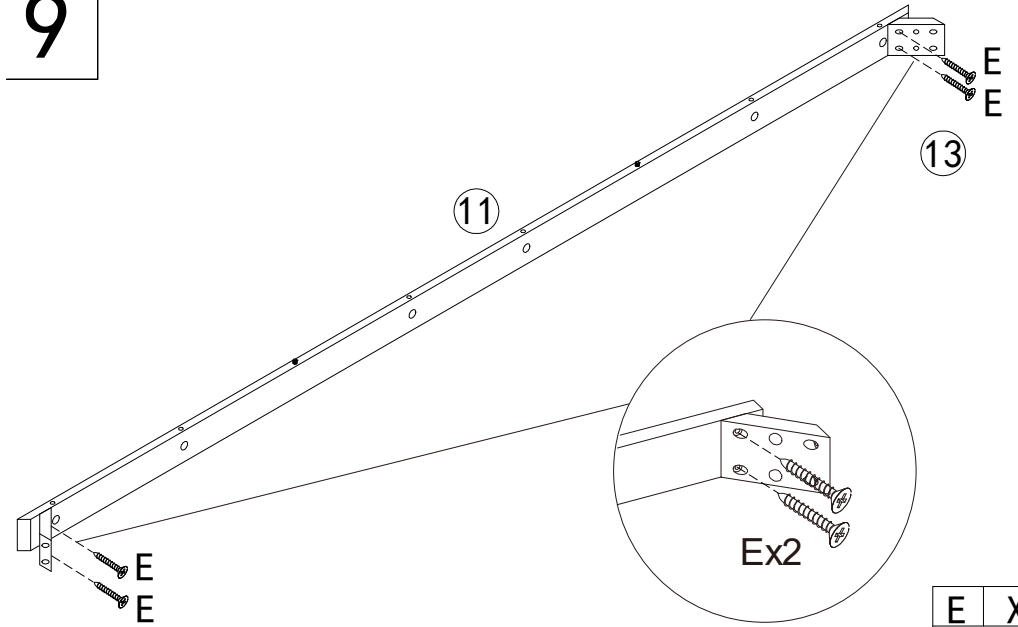
4x40mm

8



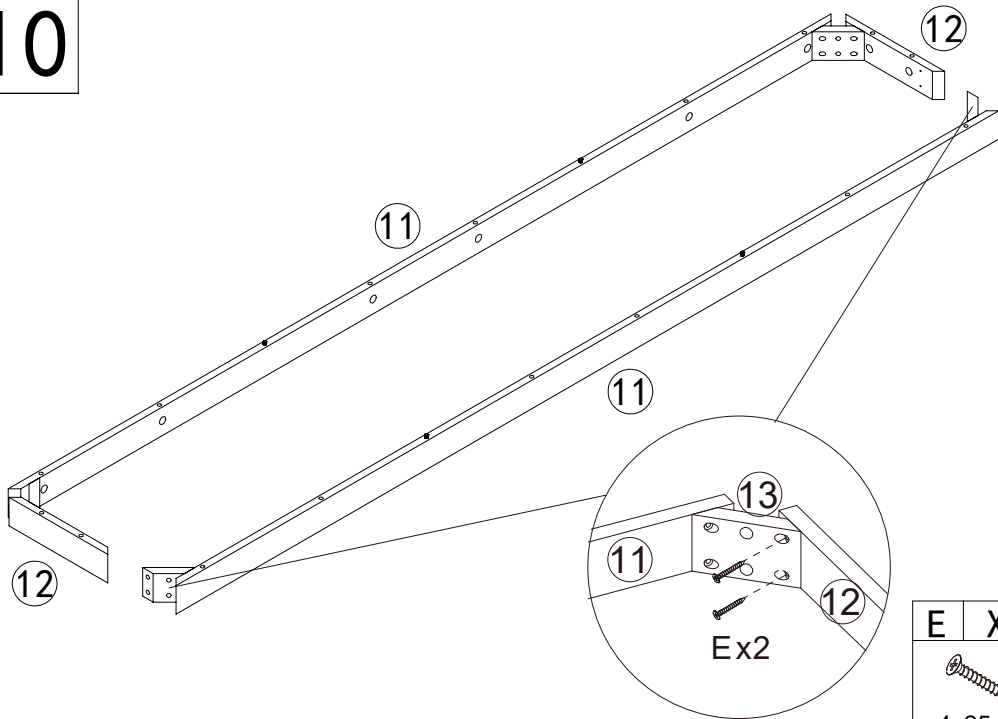
E	X8
 4x25mm	


9



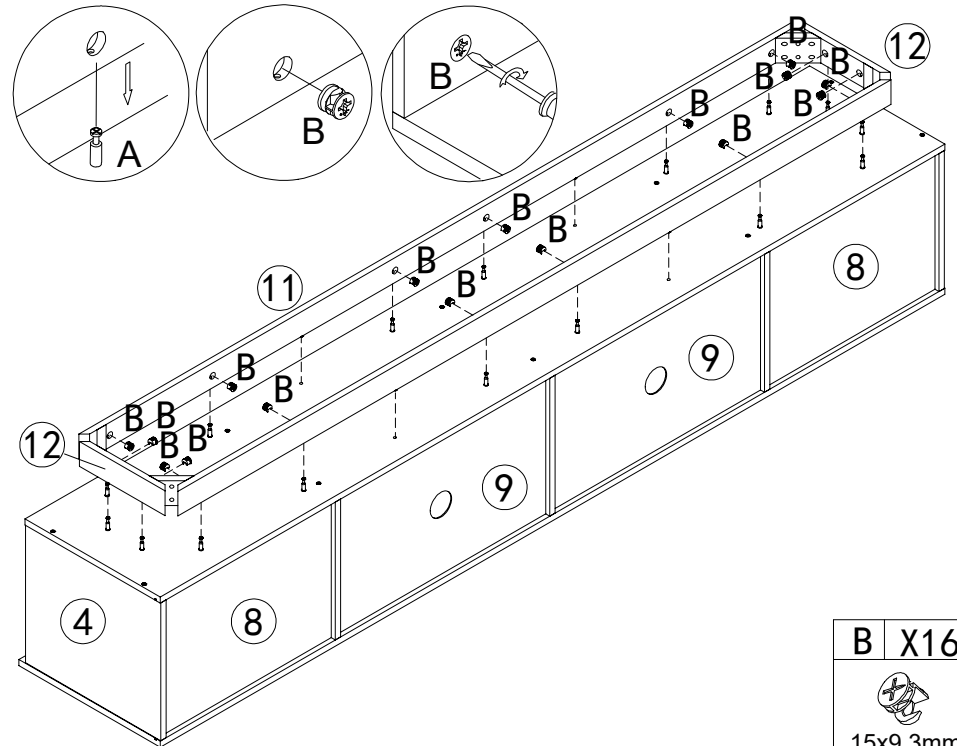
E	X4
 4x25mm	

10



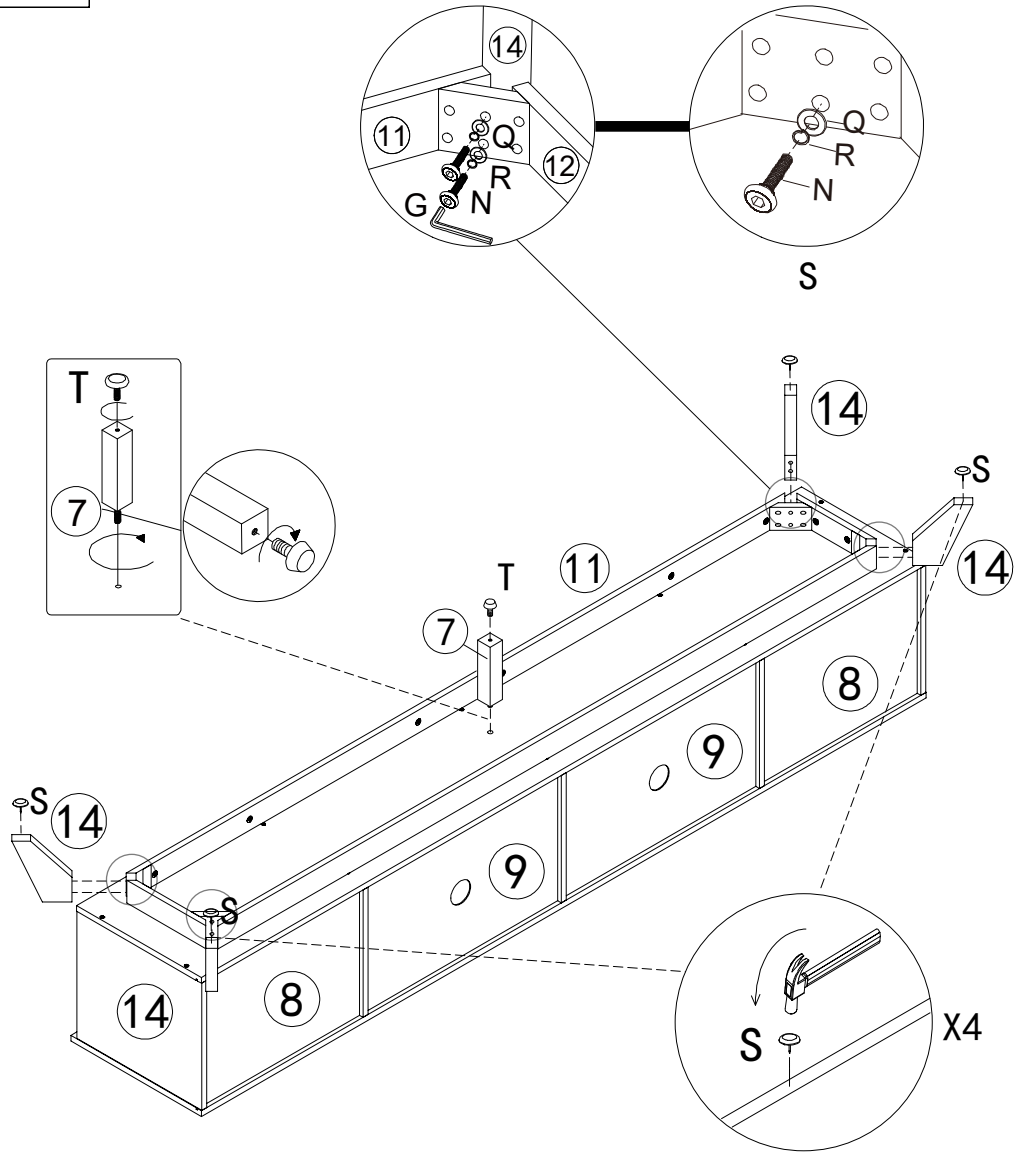
E	X4
 4x25mm	

11



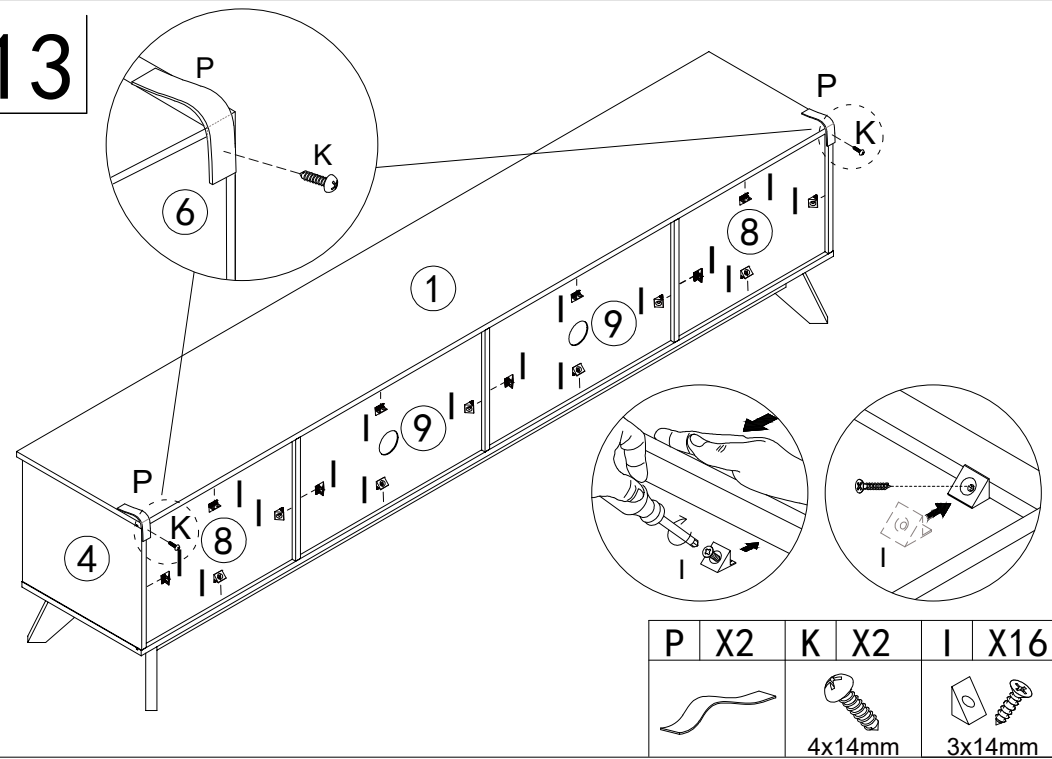
B	X16
 15x9.3mm	

# 12



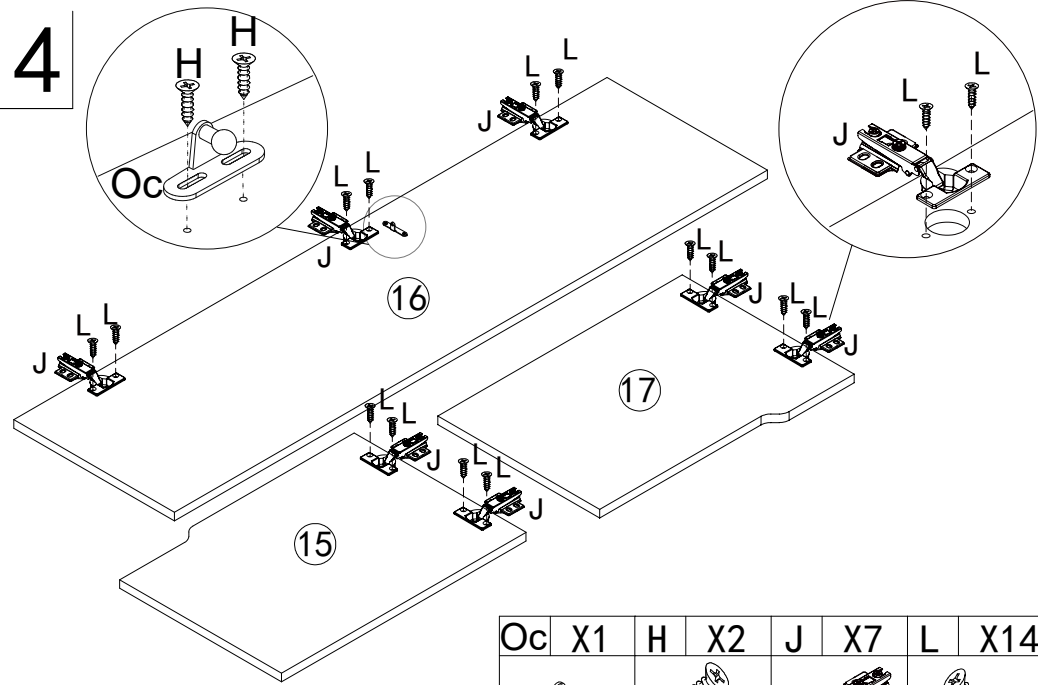
Q	X8	R	X8	G	X1	N	X8	S	X4	T	X1
			6x35mm								

# 13



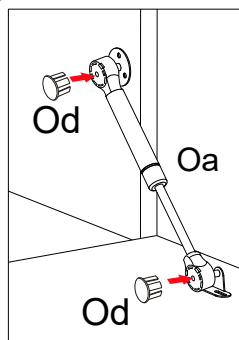
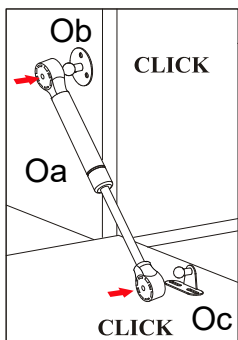
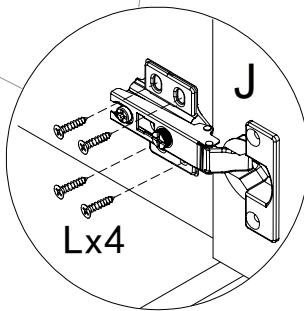
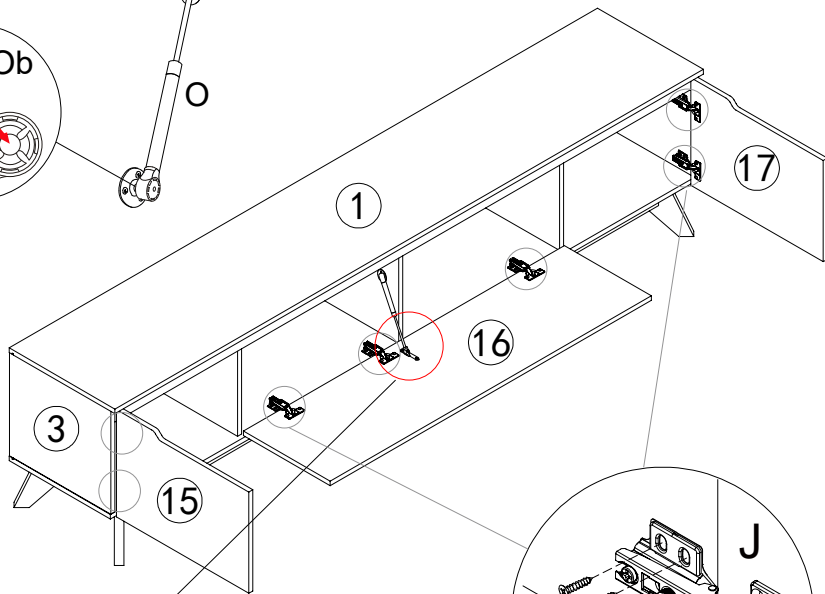
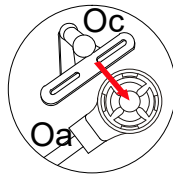
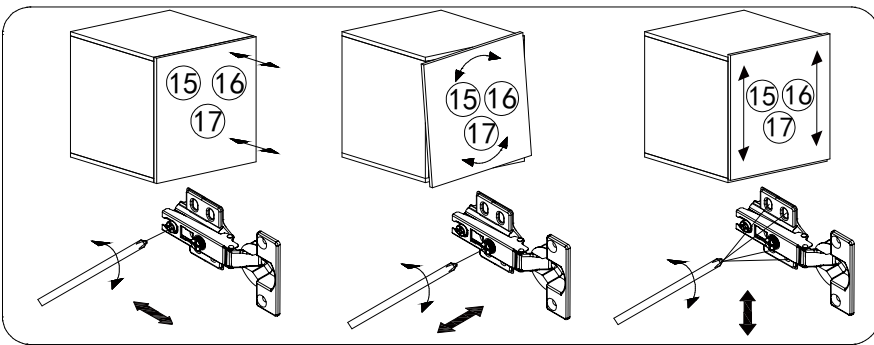
P	X2	K	X2	I	X16
		4x14mm		3x14mm	

# 14



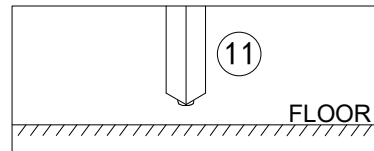
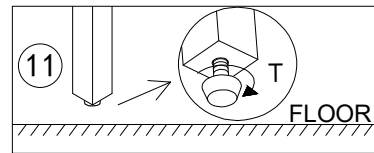
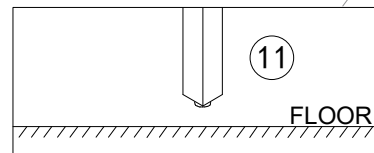
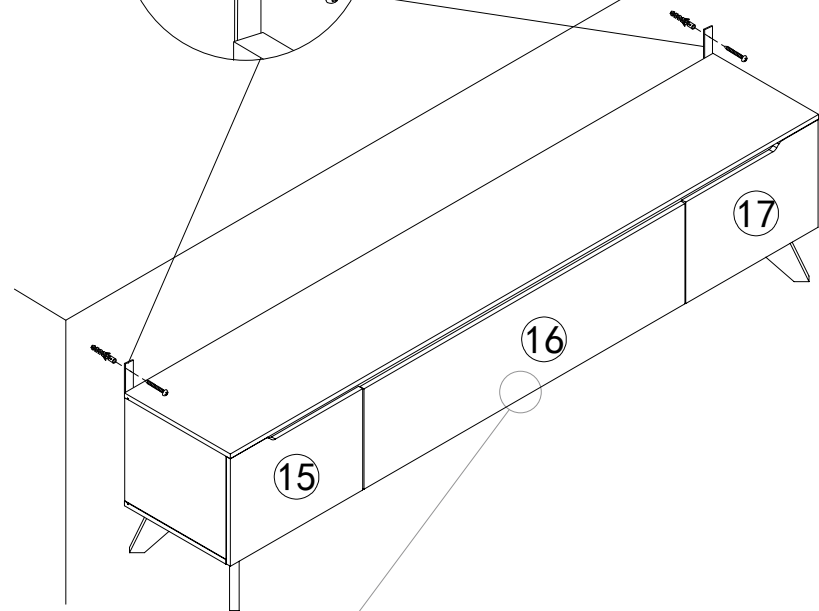
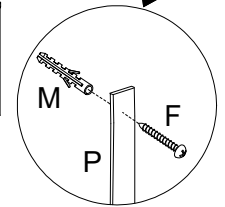
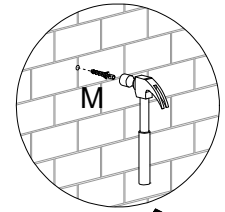
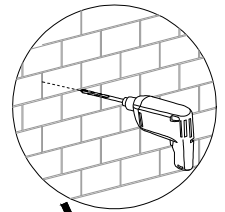
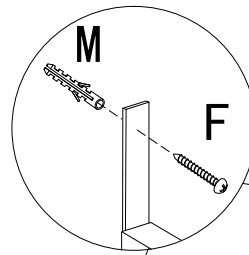
Oc	X1	H	X2	J	X7	L	X14
		3x12mm				3.5x14mm	

# 15



O	X1	L	X28
3.5x14mm			

# 16



M	X2	F	X2
4x30mm			