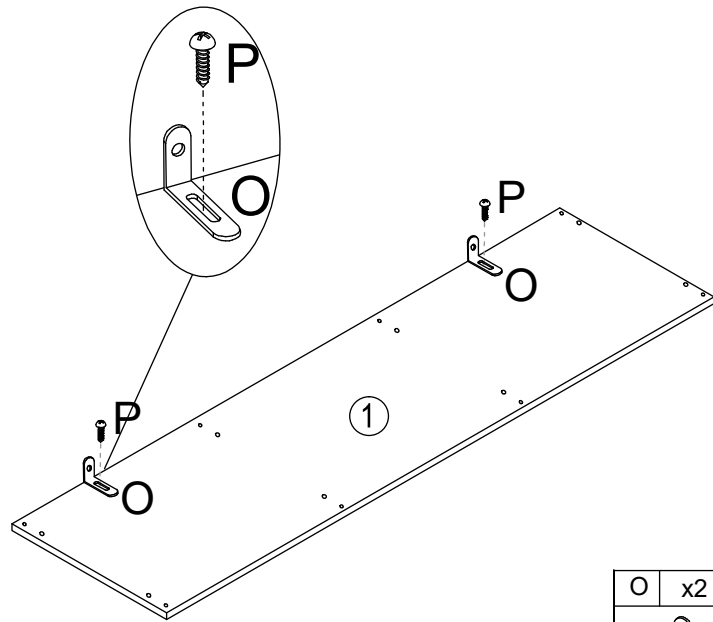
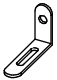



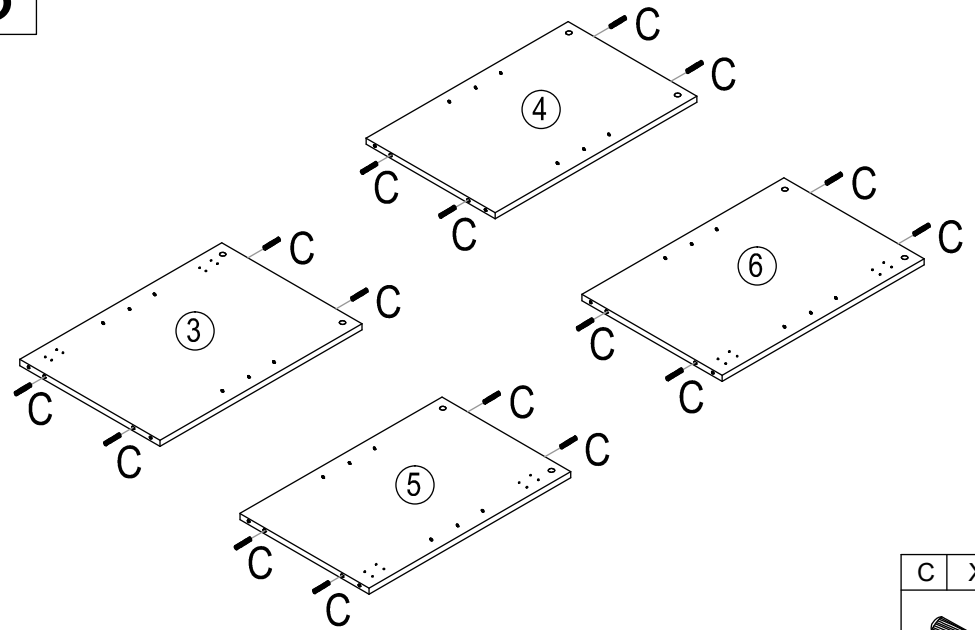
A	x8	B	x8	C	x16	D	x8	E	x8	F	x1
G	x4	H	x36	I	x3	J	x12	K	x2	L	x32
M	x3	N	x14	O	x2	P	x2	Q	x12	R	x2
S	x6										


1



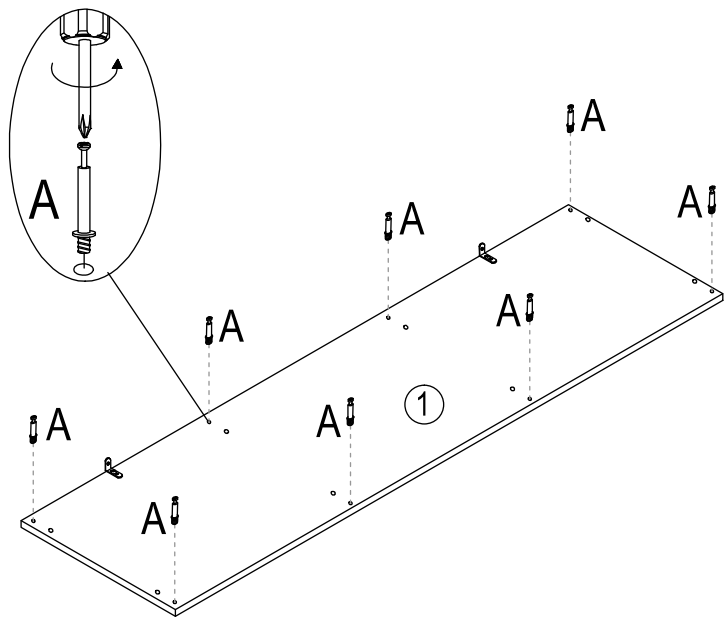
O	x2	P	x2
			4x14mm


3



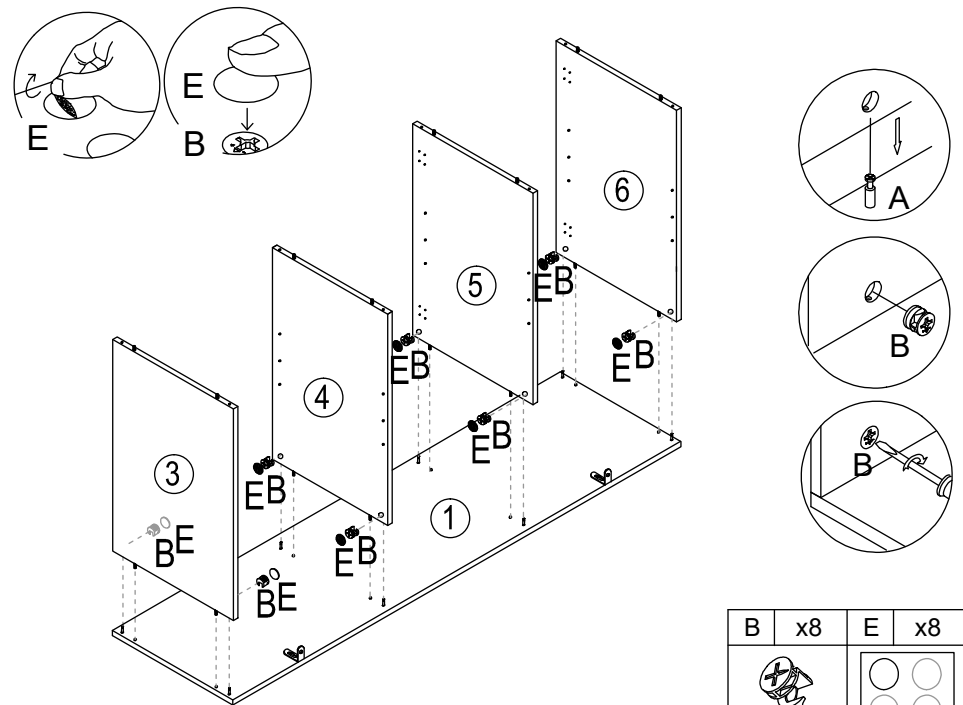
C	X16
	



2



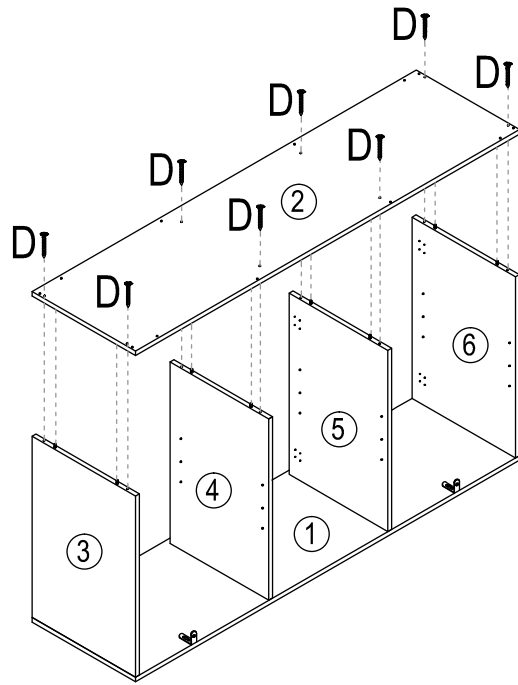
A	x8
	


4



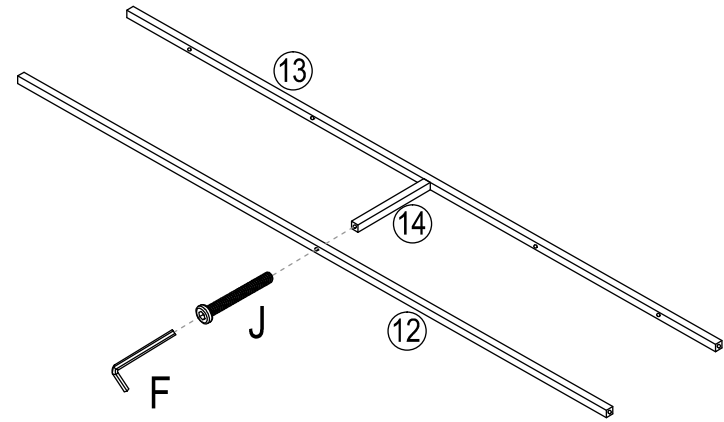
B	x8	E	x8
			

5

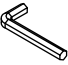



D	x8
	
4x40mm	

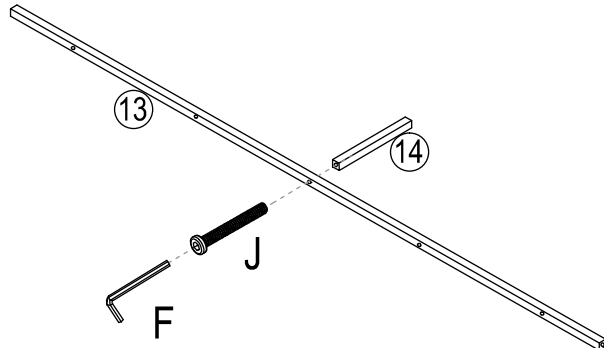
7



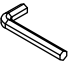

x2

F	x1	J	x2
			
		6x40mm	

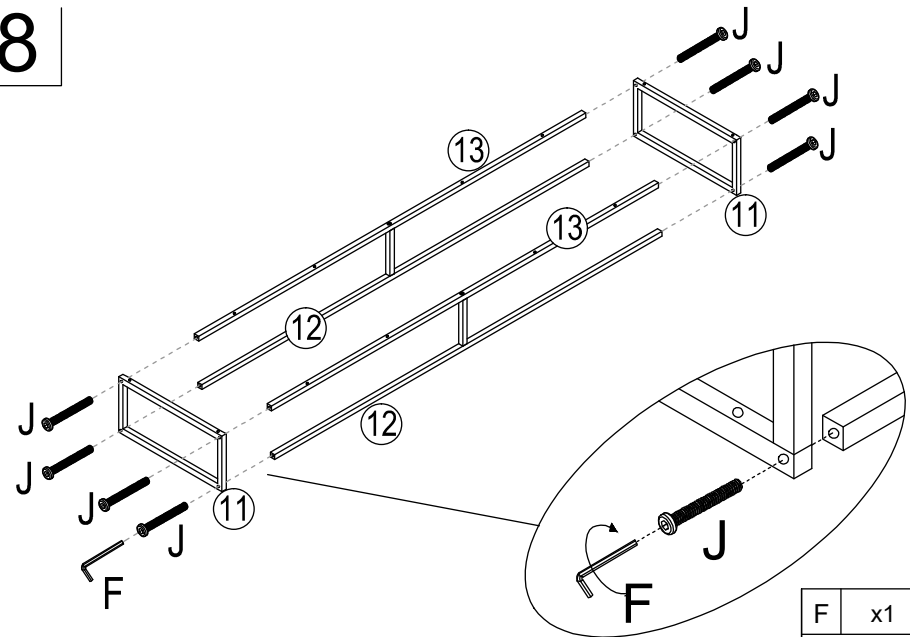
6

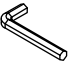



x2

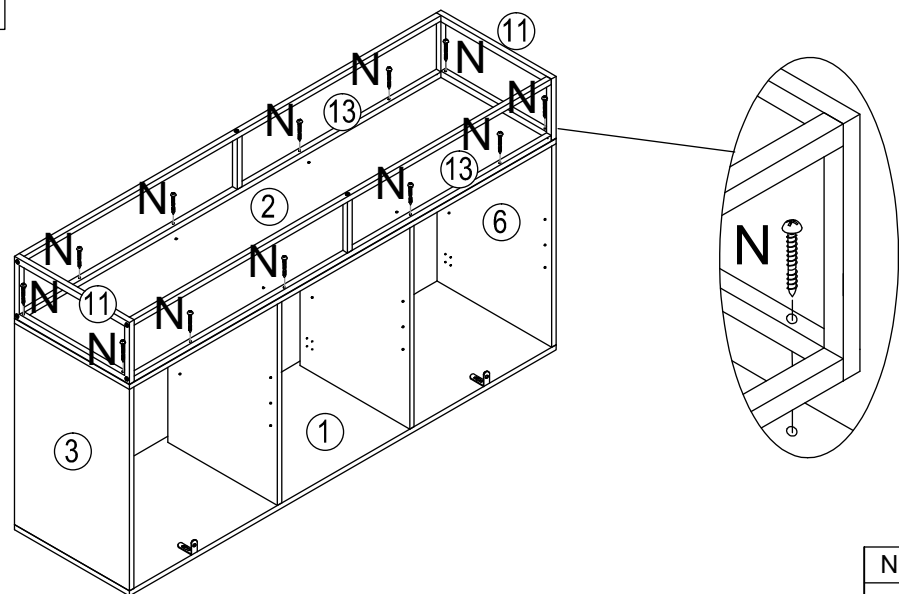
F	x1	J	x2
			
		6x40mm	

8



F	x1	J	x8
			
		6x40mm	

9

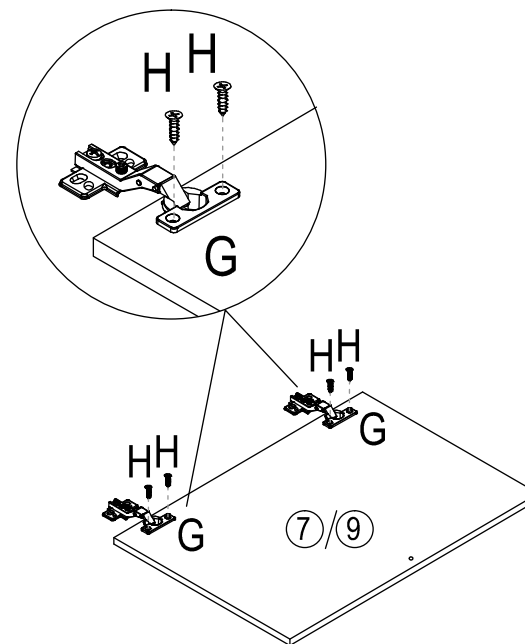


N X12

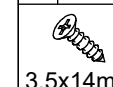


4x30mm

11



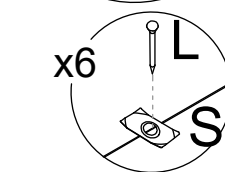
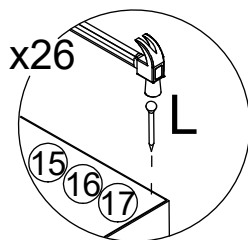
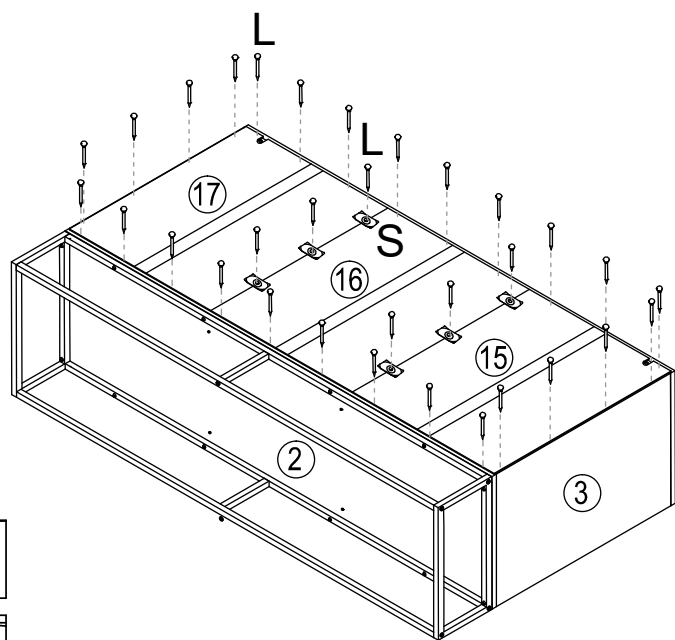
H x8 G x4



3.5x14mm



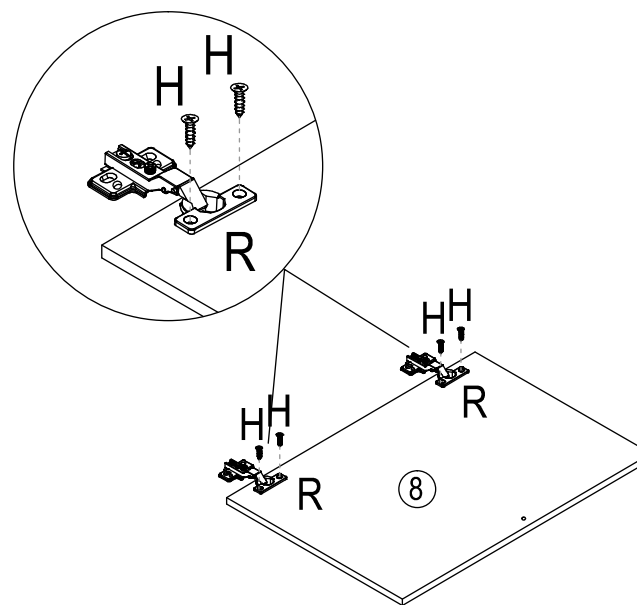
10



S x6 L x32



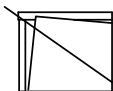
12



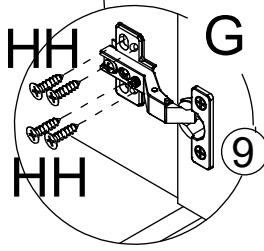
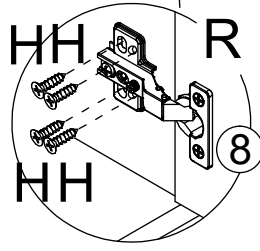
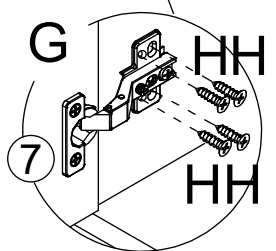
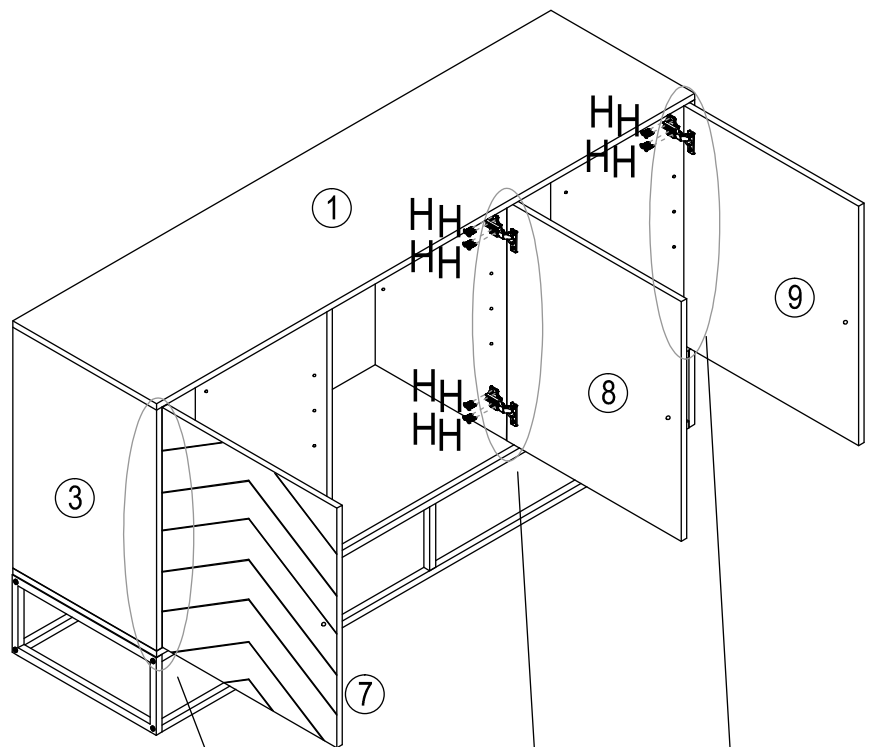
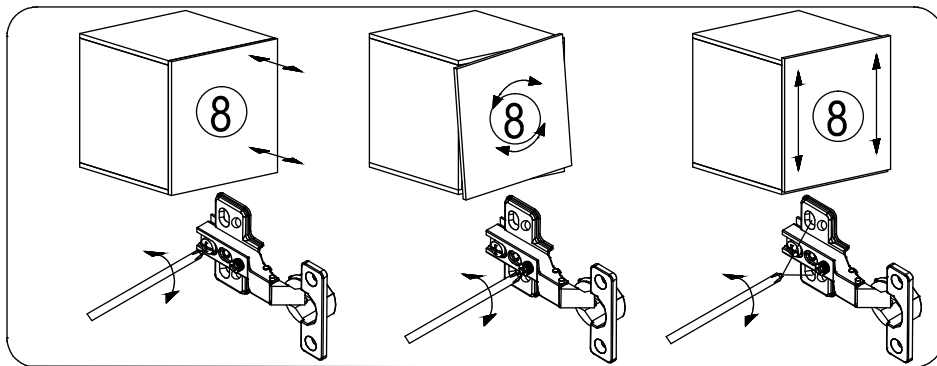
H x4 R x2



3.5x14mm

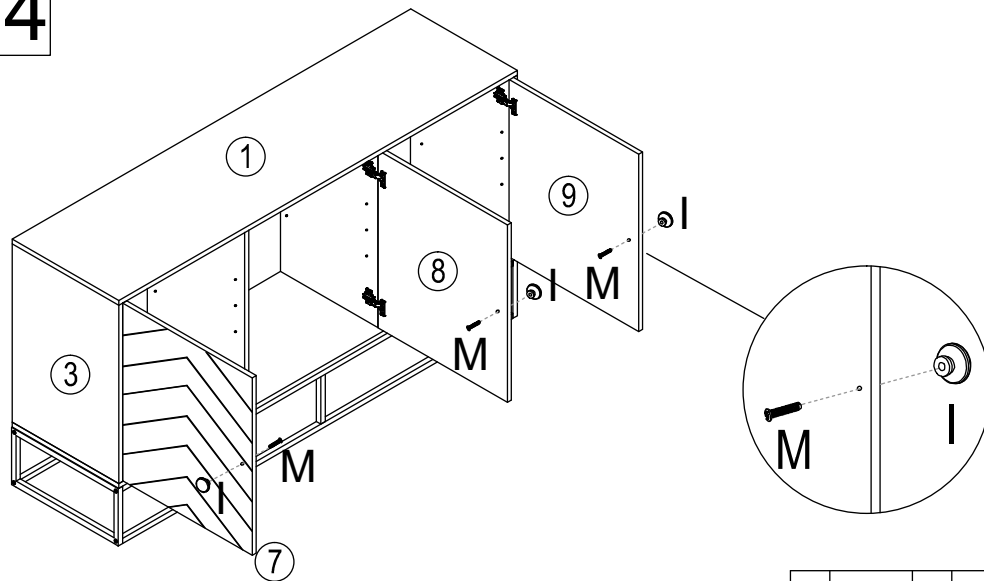


13



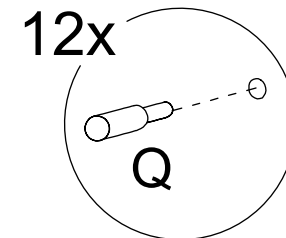
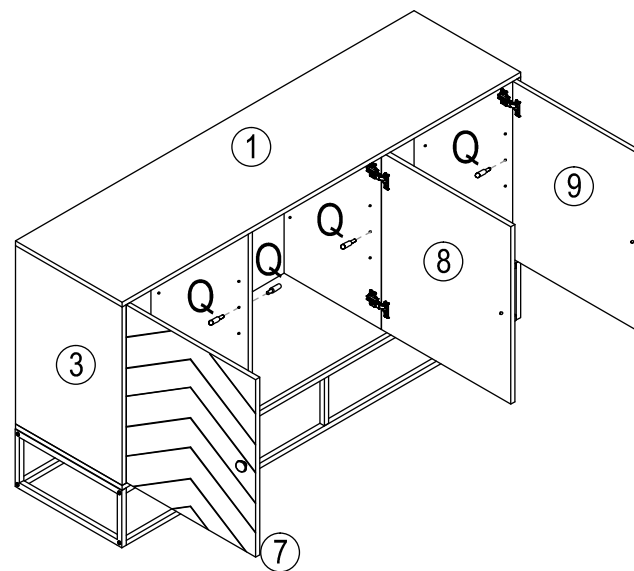
H	x24
3.5x14mm	

14



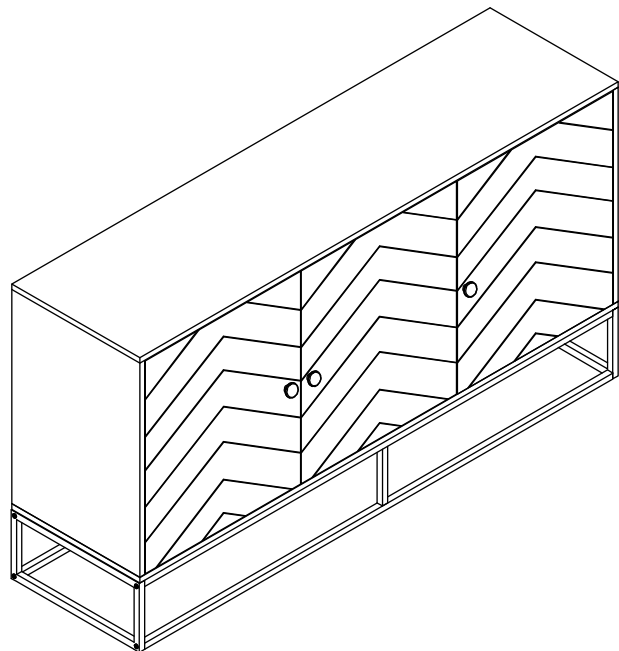
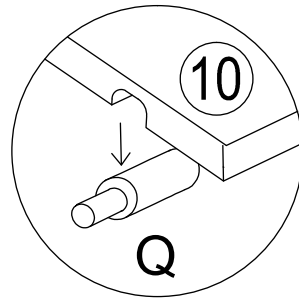
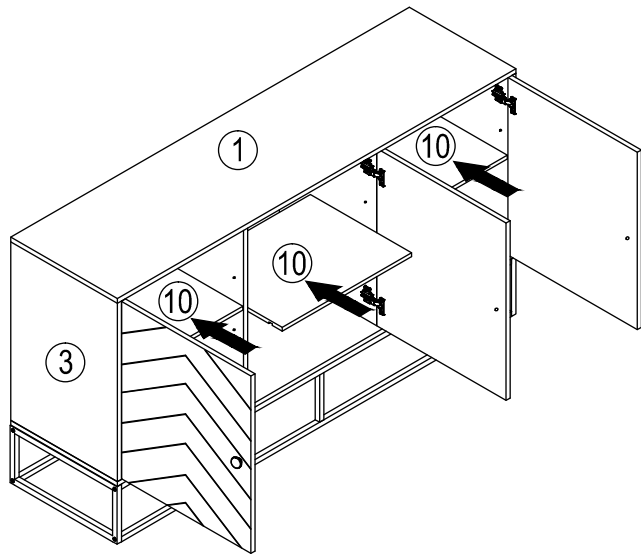
I	x3	M	x3
		4x20mm	

15



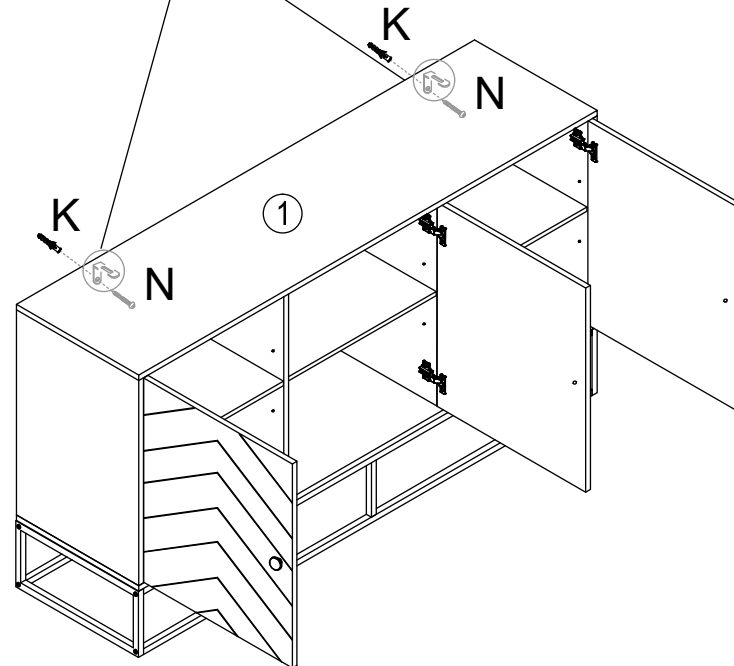
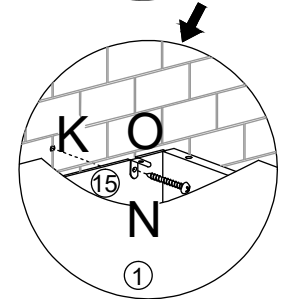
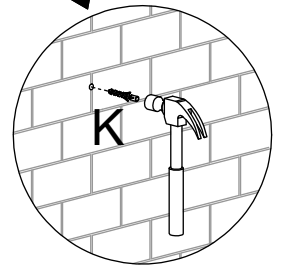
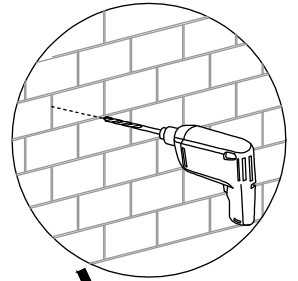
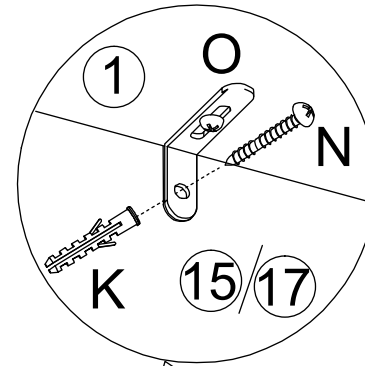
Q	x12



16



17

Pre-drilled hole at wall



N	x2	K	x2
			
4x30mm			