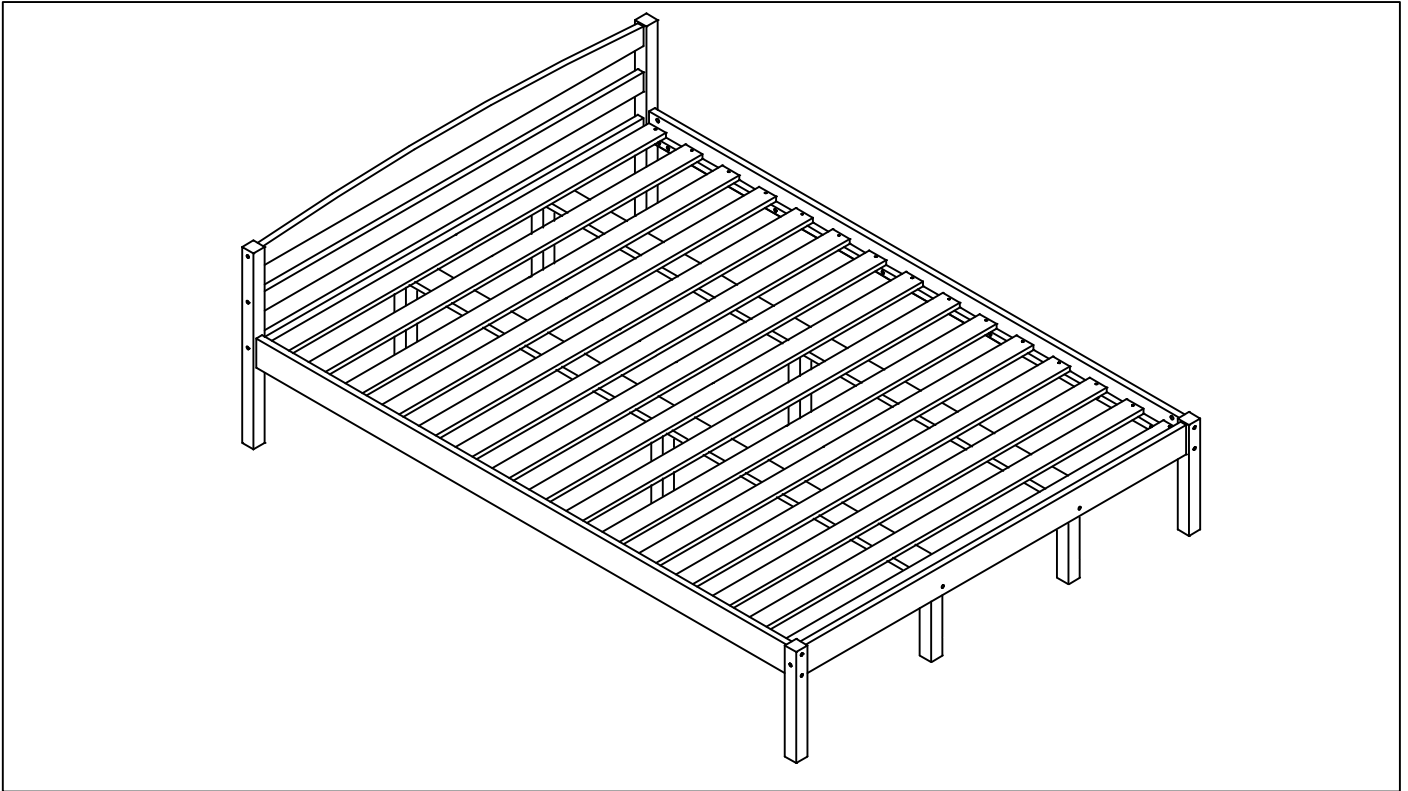





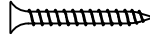
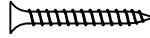

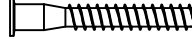


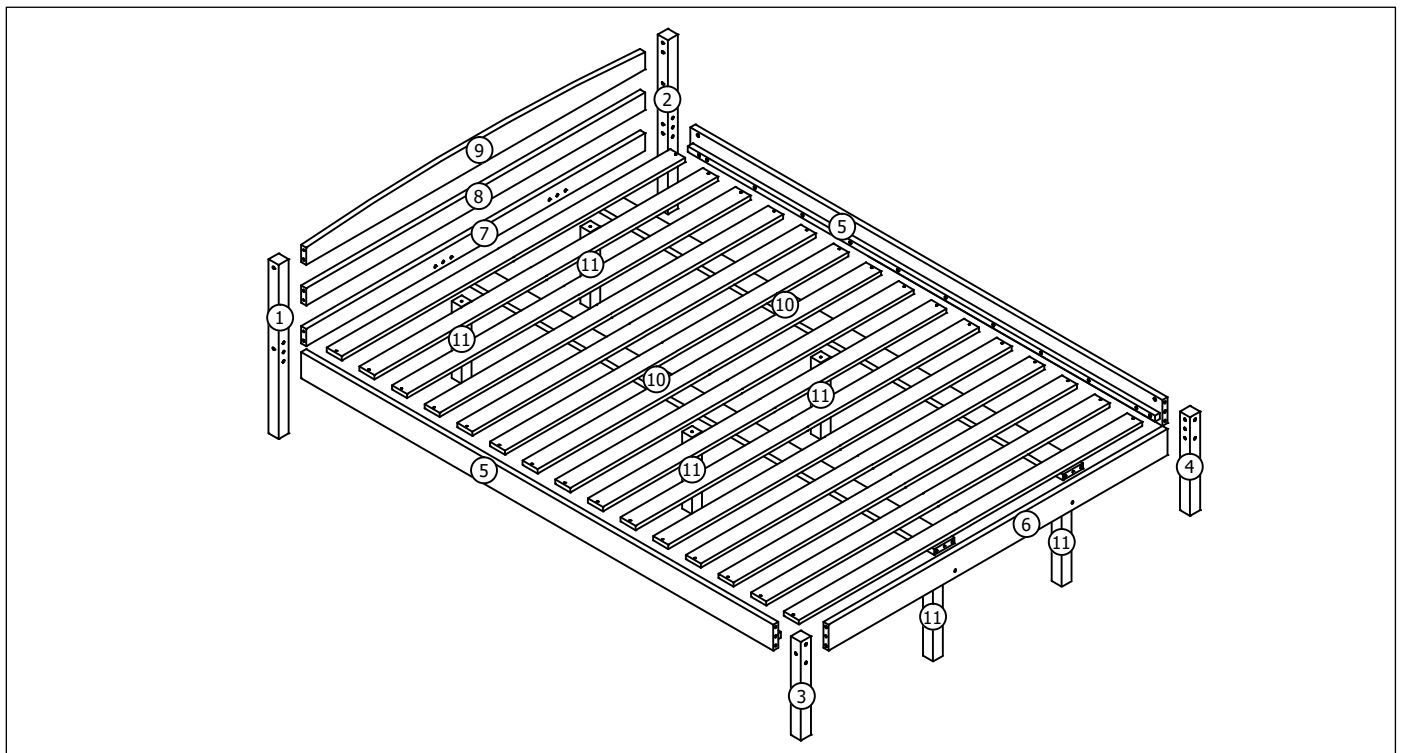
# Assembly Instructions



## HARDWARE

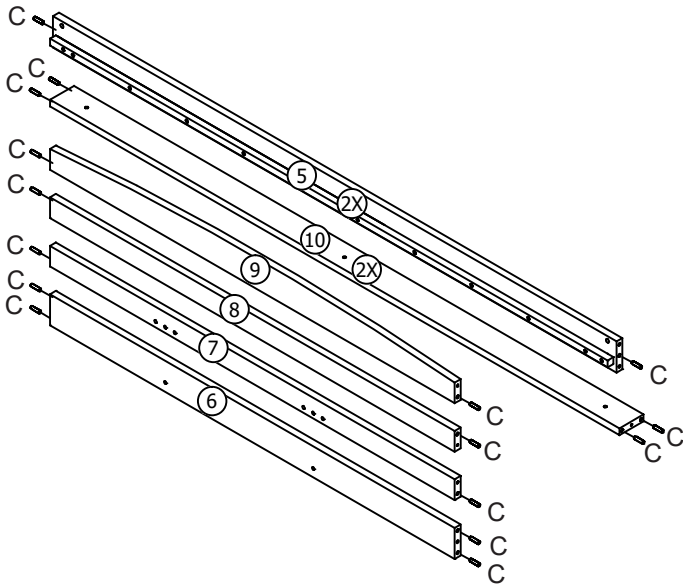
A	 15mm	 M6x90mm	16
B			16
C	 Ø8x30mm		22

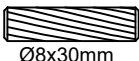
D			01
E	 8mm	 Ø4x30mm	30
F	 10mm	 Ø7x50mm	10



# 01

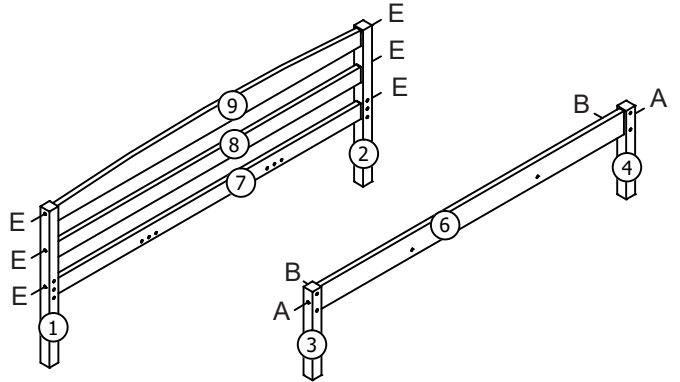
Insert 2 x dowel(C) into the panel [5][7][8][9],  
Insert 4 x dowel(C) into the panel [6][10].


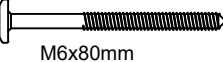



C	 Ø8x30mm	22
---	---	----

# 02

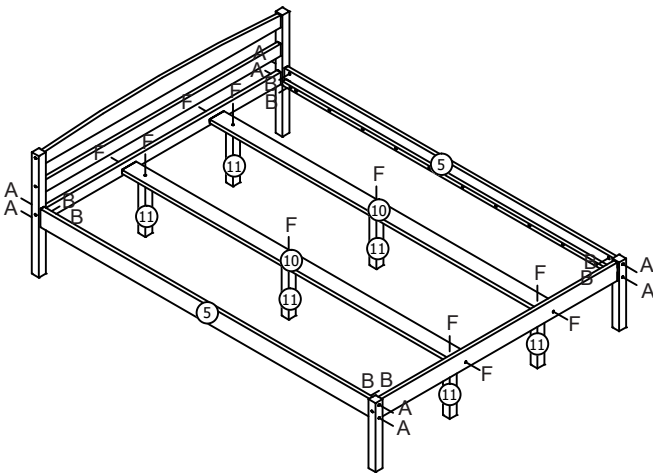
Attach bar[1][2] to panel [7][8][9] and secure with 6 x bolt(A) and 6 x nut (B).  
Attach bar [3][4] to panel (6) and secure with 2 x bolt (A) and 2 x nut (B).


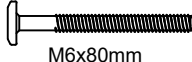





A	 15mm	 M6x80mm	08
B			08

# 03

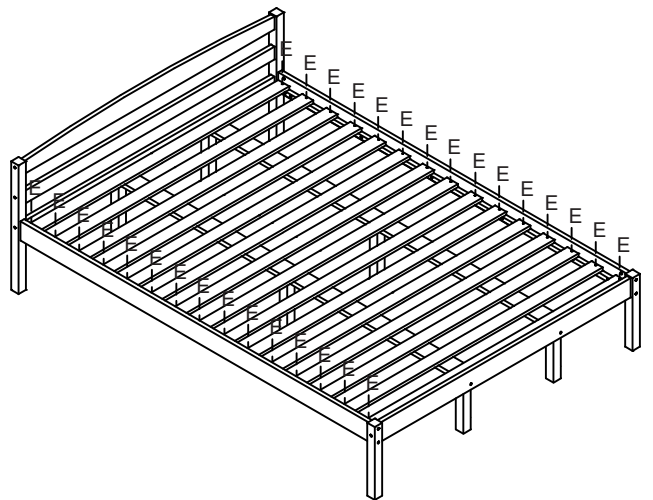
Assemble the 2 items to 2 x panel [5] with 8 x bolt (A) and 8 x nut (B).  
Attach 2 x panel[10] to 6 x panel [11] with 6 x screw(F), attach 2xpanel [10] to the items with 4 x screw (F).


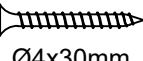


A	 15mm	 M6x80mm	08
B			08
F	 10mm	 Ø7x50mm	10

# 04

Install the slat with 30 x screw (E).



E	 8mm	 Ø4x30mm	30
---	--	--	----

# **RETURN / DAMAGE CLAIM INSTRUCTIONS**

1. **DO NOT** discard of the box / original packaging.

In case a return is required, the item must be returned in original box. Without this your return will not be accepted.

2. Take a photo of the box markings.

A photo of the markings (text) on the box is required in case a part is needed for replacement. This helps our staff identify your product number to ensure you receive the correct parts.

3. Take a photo / Video of Damage (if applicable).

A photo / Video of the damage is always required to file a claim and get your replacement or refund processed quickly. Please make sure you have the box even if it is damaged.

4. Send us an email with the images requested.

Email us directly with the attached images, order number (SOXXXX) and a description of your claim.

Auckland / Waikato / BOP Branch: [sales@tsbliving.co.nz](mailto:sales@tsbliving.co.nz)  
Christchurch Branch: [customersupport@tsbliving.co.nz](mailto:customersupport@tsbliving.co.nz)  
Wellington Branch: [wellington@tsbliving.co.nz](mailto:wellington@tsbliving.co.nz)