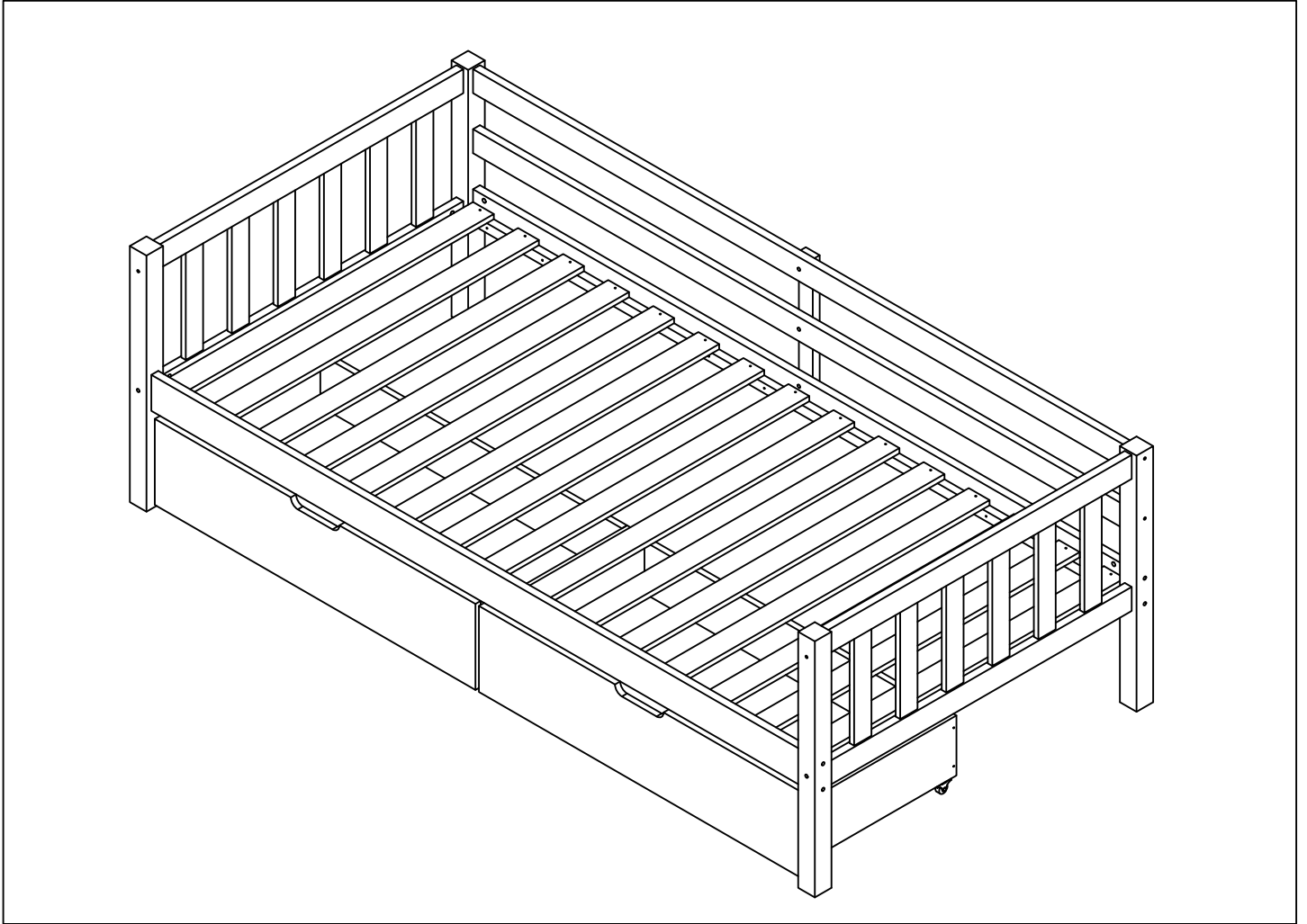
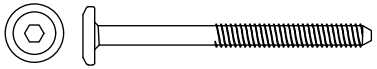


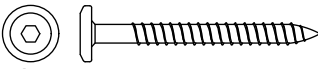
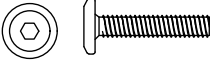
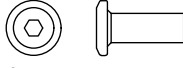



ASSEMBLY INSTRUCTIONS

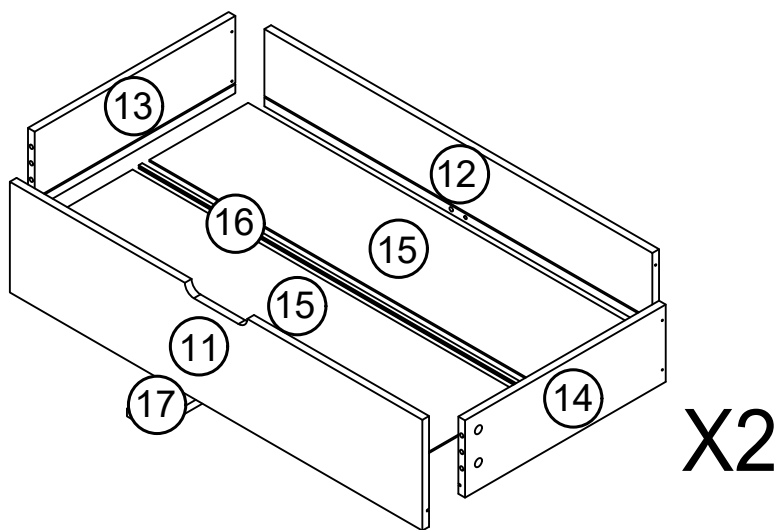
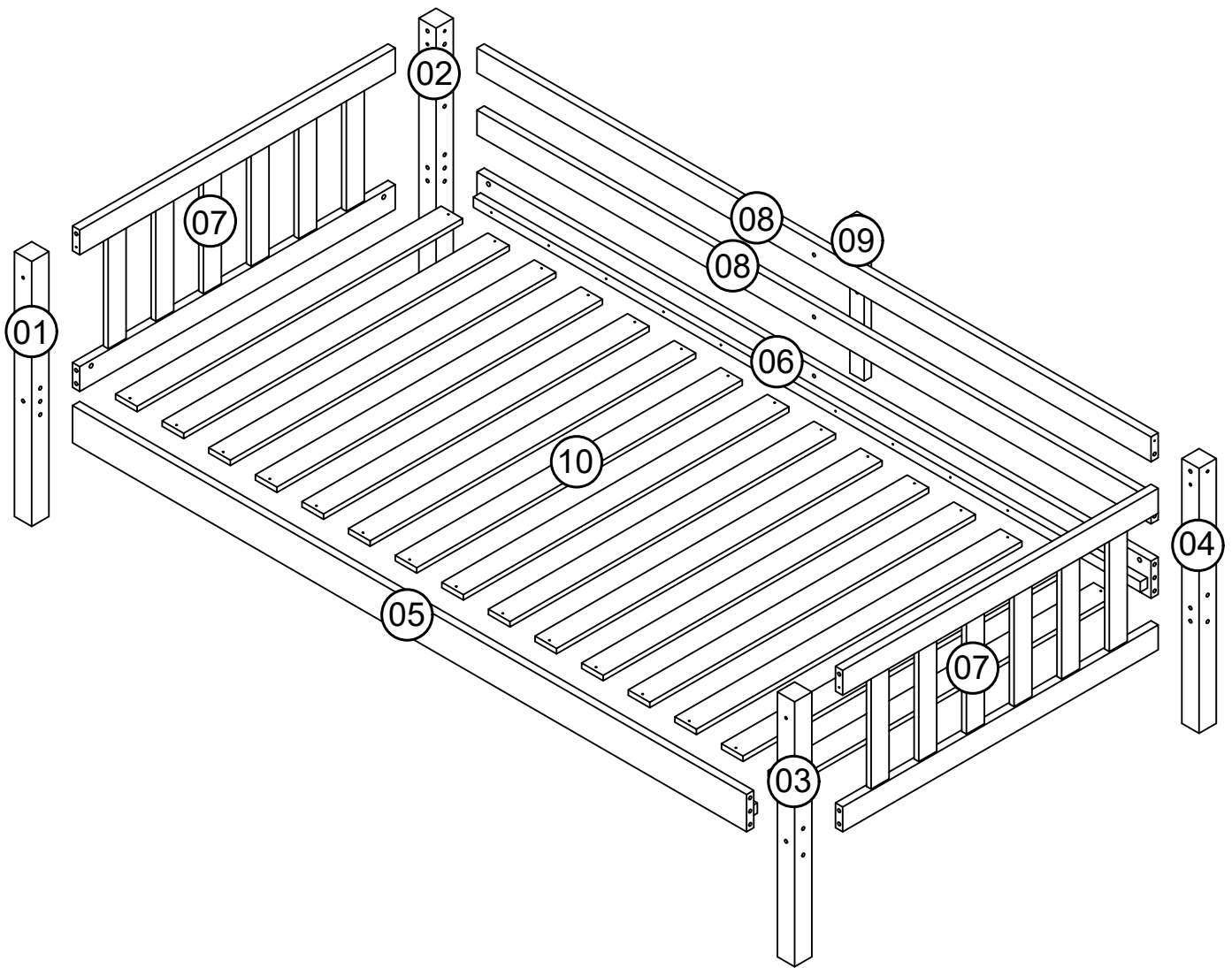
INNER SIZE:1910*910MM



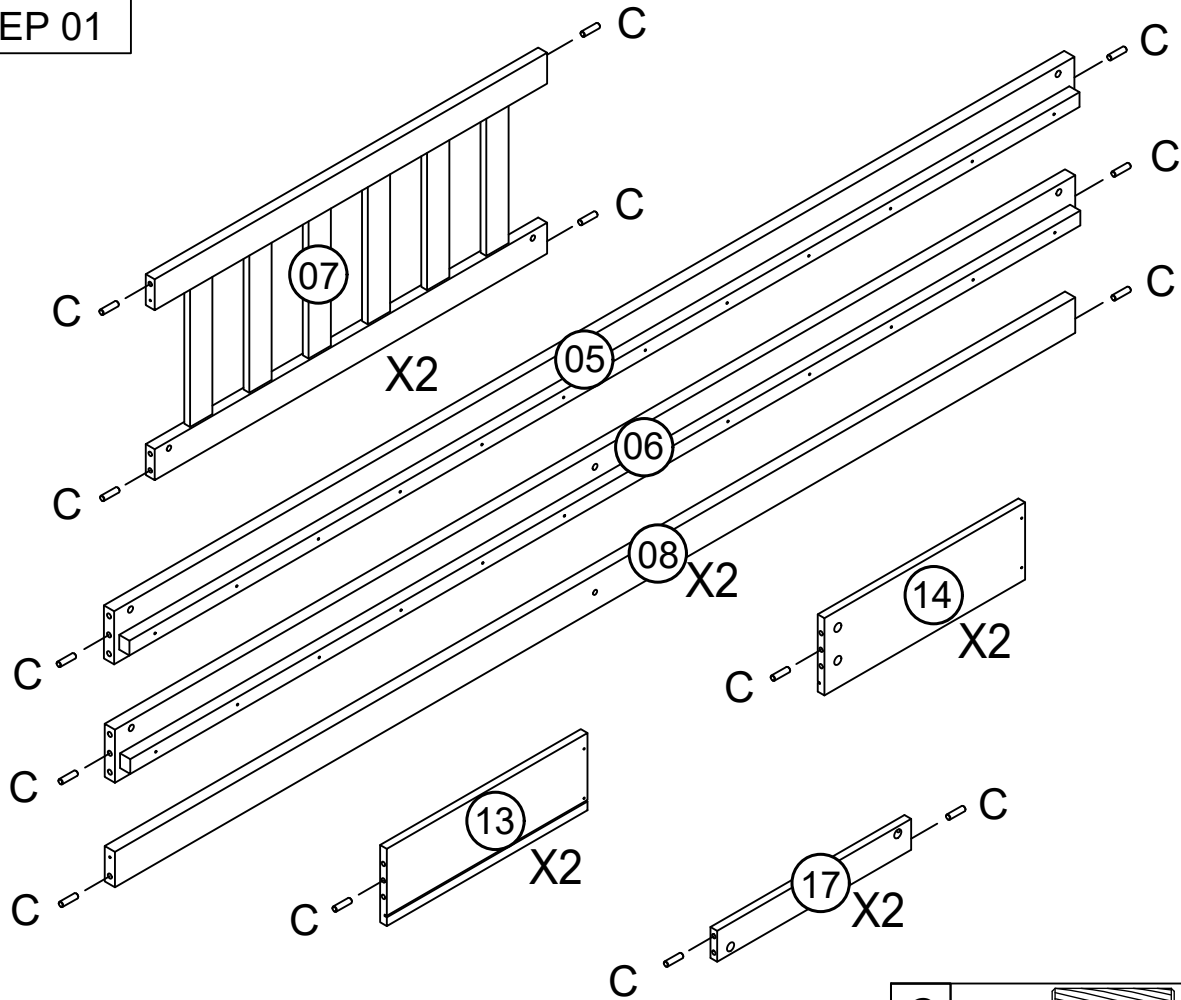
HARDWARE

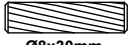
A	 15mm M6x90mm	12
B		12
C	 Ø8x30mm	24
D	 15mm Ø6x80mm	08
E	 15mm M6x30mm	03
F	 15mm M8x20mm	03
G	 8mm Ø4x30mm	30

H		12
I	 Ø4x40mm	08
J		12
K	 Ø4x16mm	16
L		08
M		02

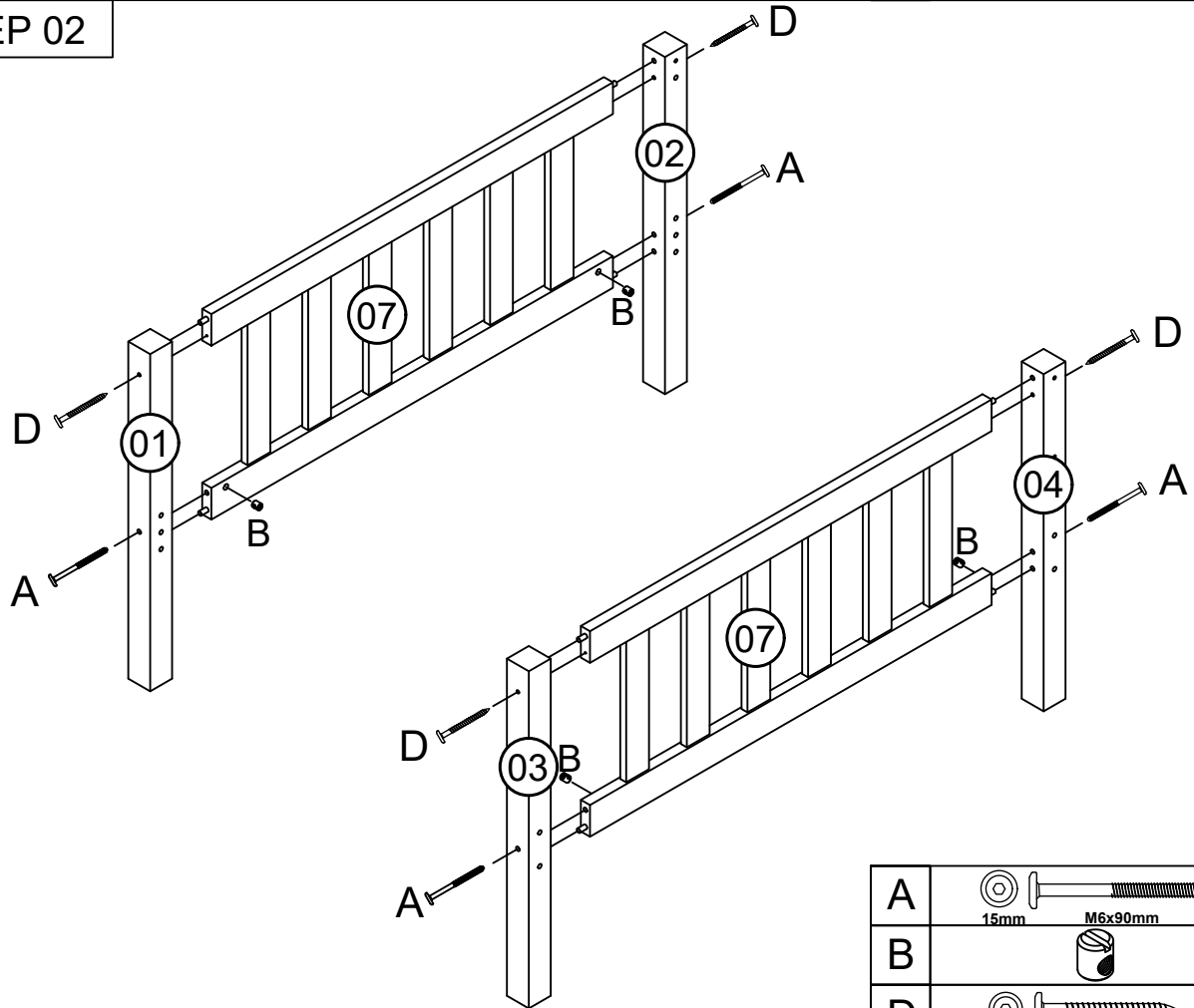


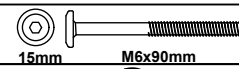

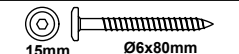
STEP 01



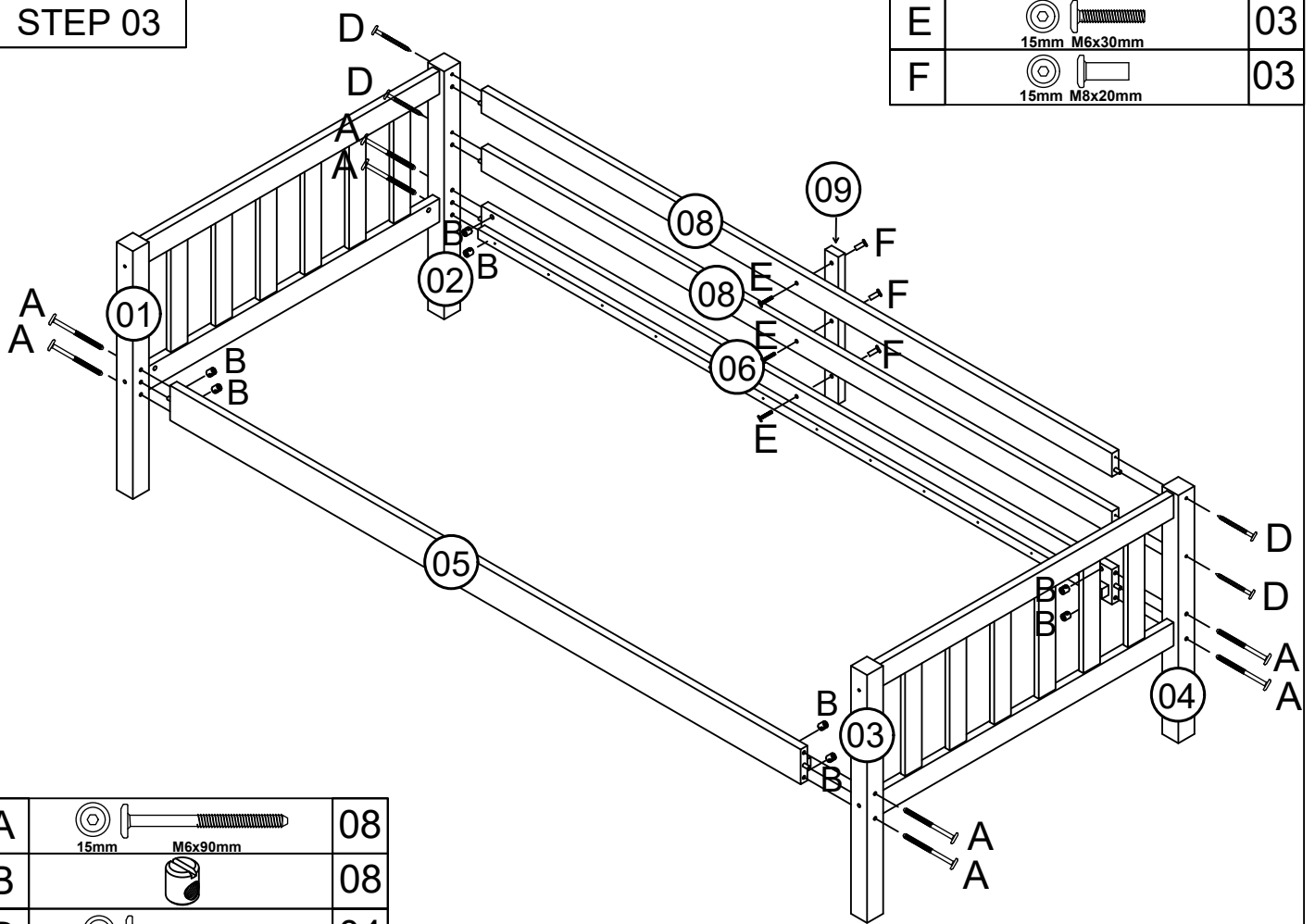
C		24
---	---	----



STEP 02






A		04
B		04
D		04

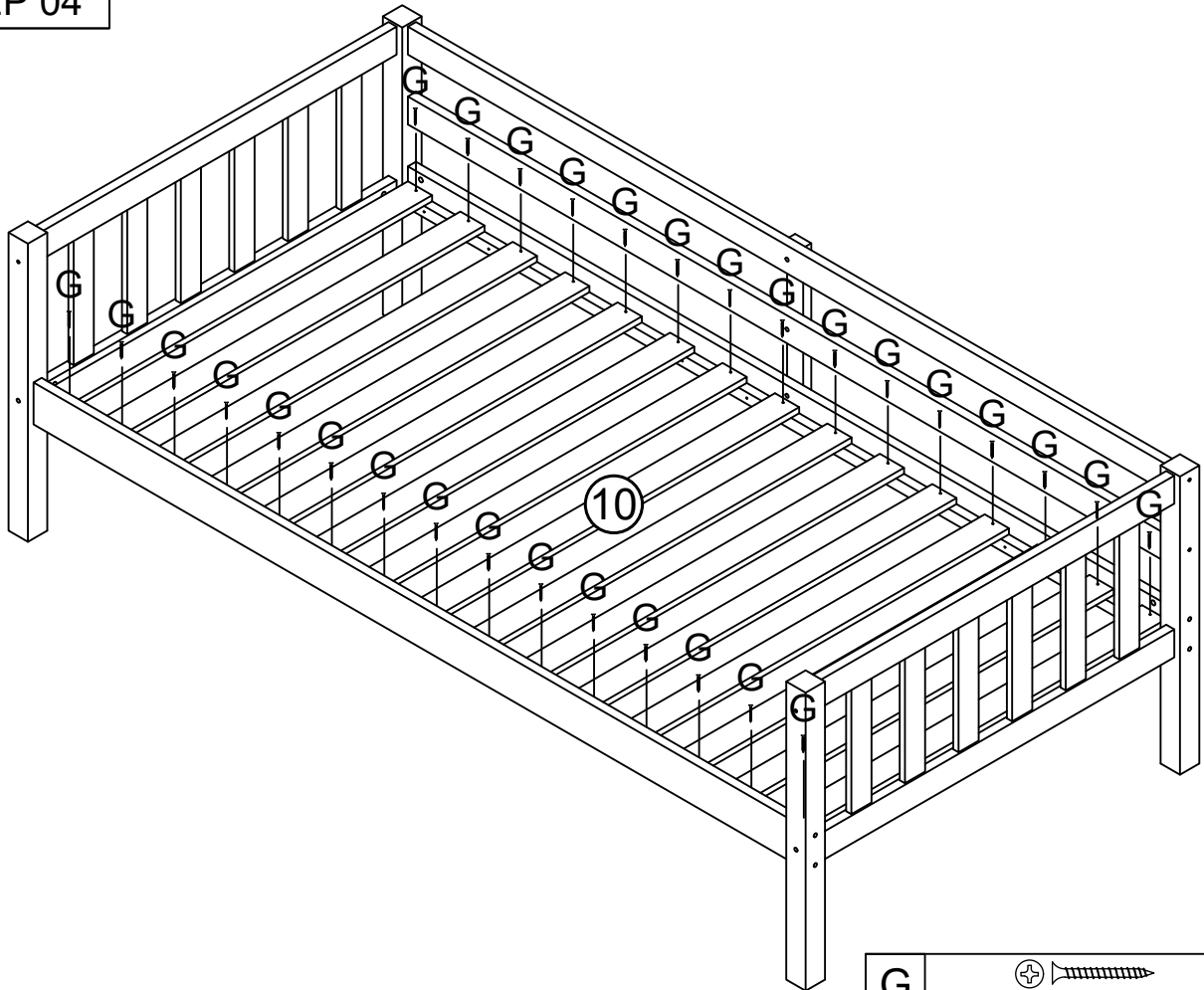
STEP 03




E	 15mm M6x30mm	03
F	 15mm M8x20mm	03

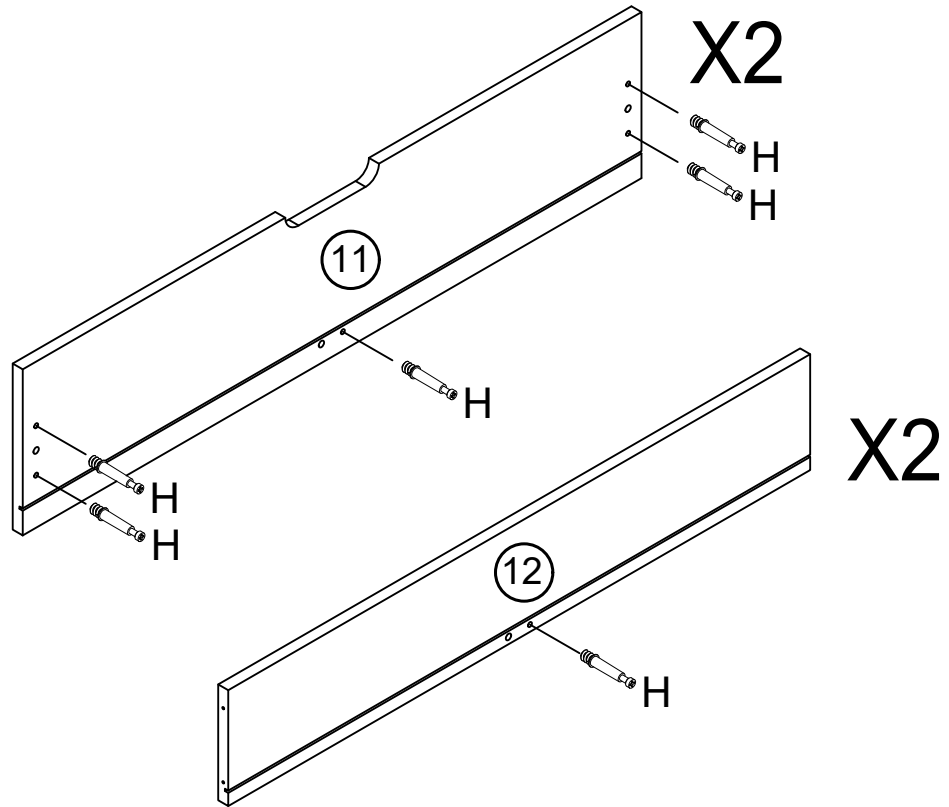
A	 15mm M6x90mm	08
B		08
D	 15mm Ø6x80mm	04

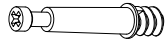
STEP 04



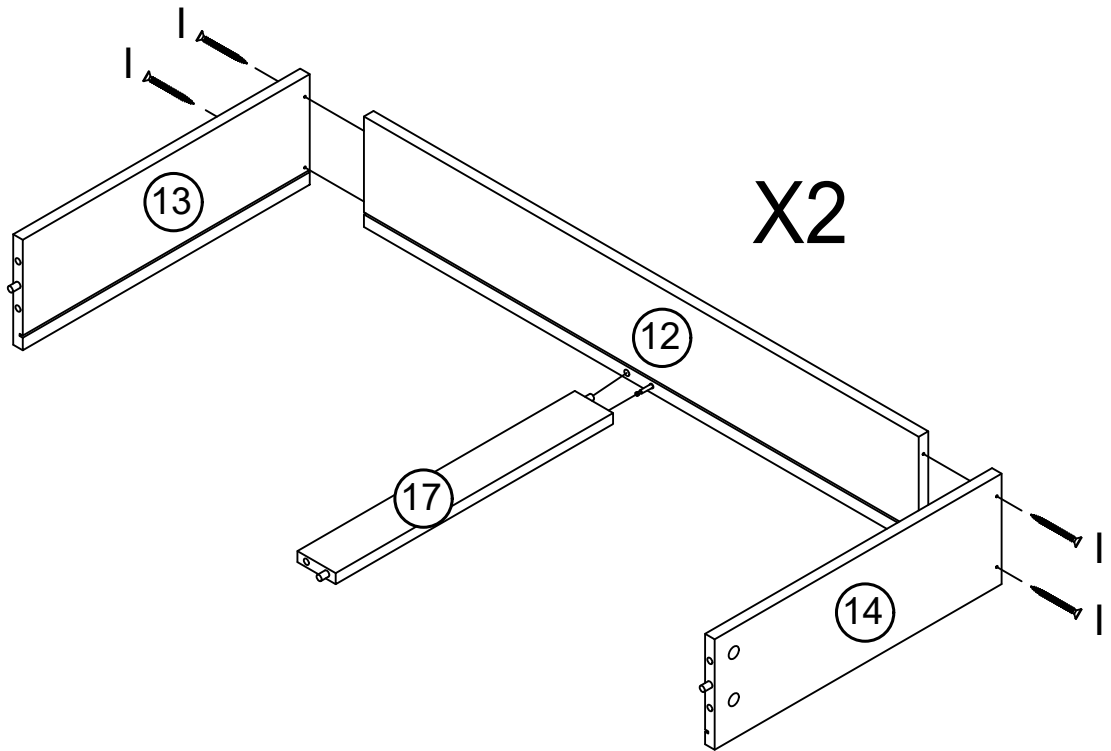
G	 8mm Ø4x30mm	30
---	---	----


STEP 05



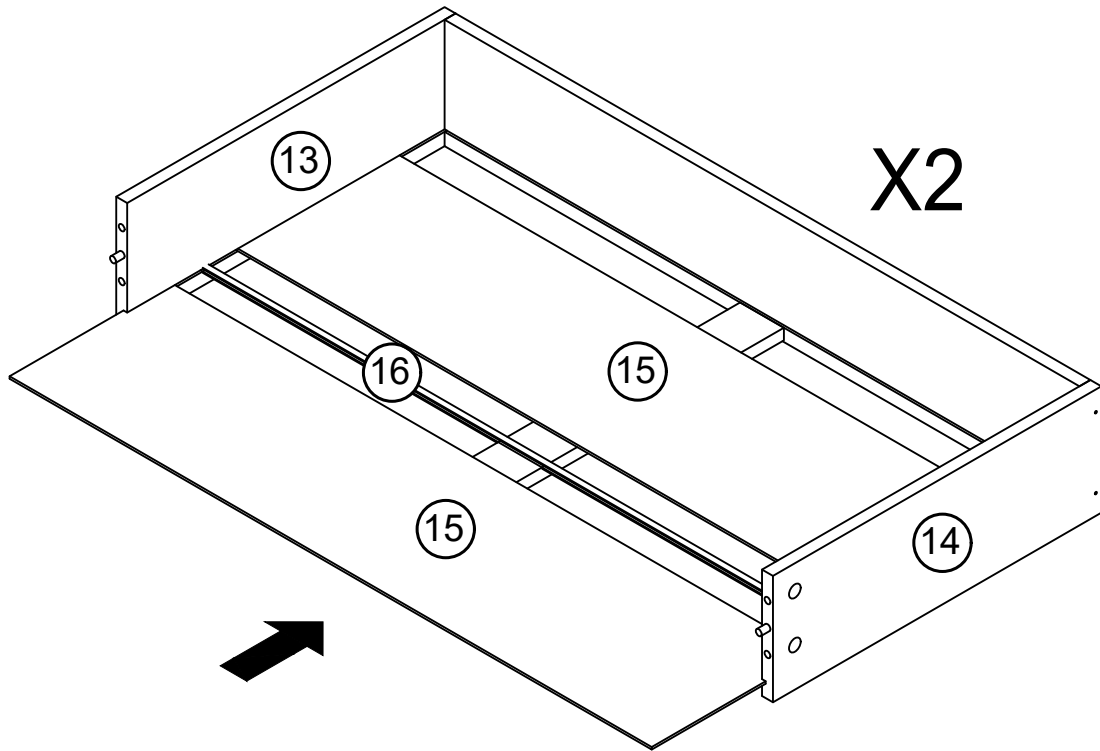
H		12
---	---	----

STEP 06

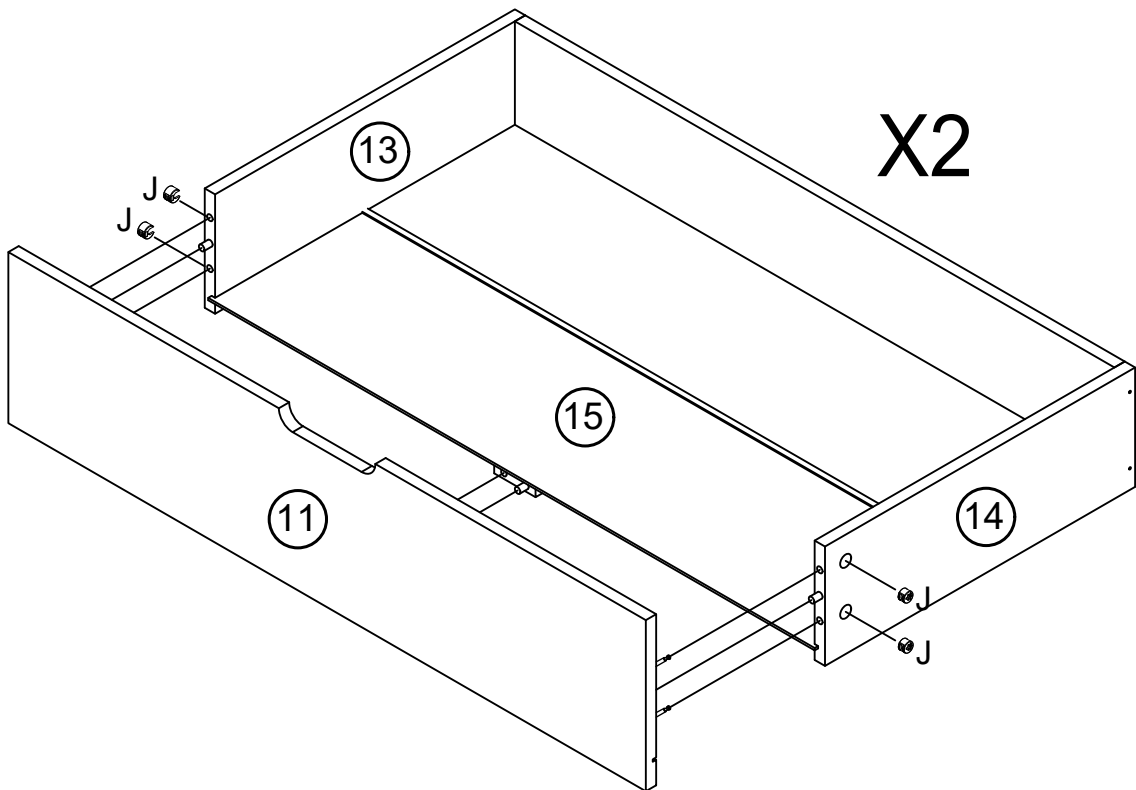


I	 Ø4x40mm	08
---	--	----

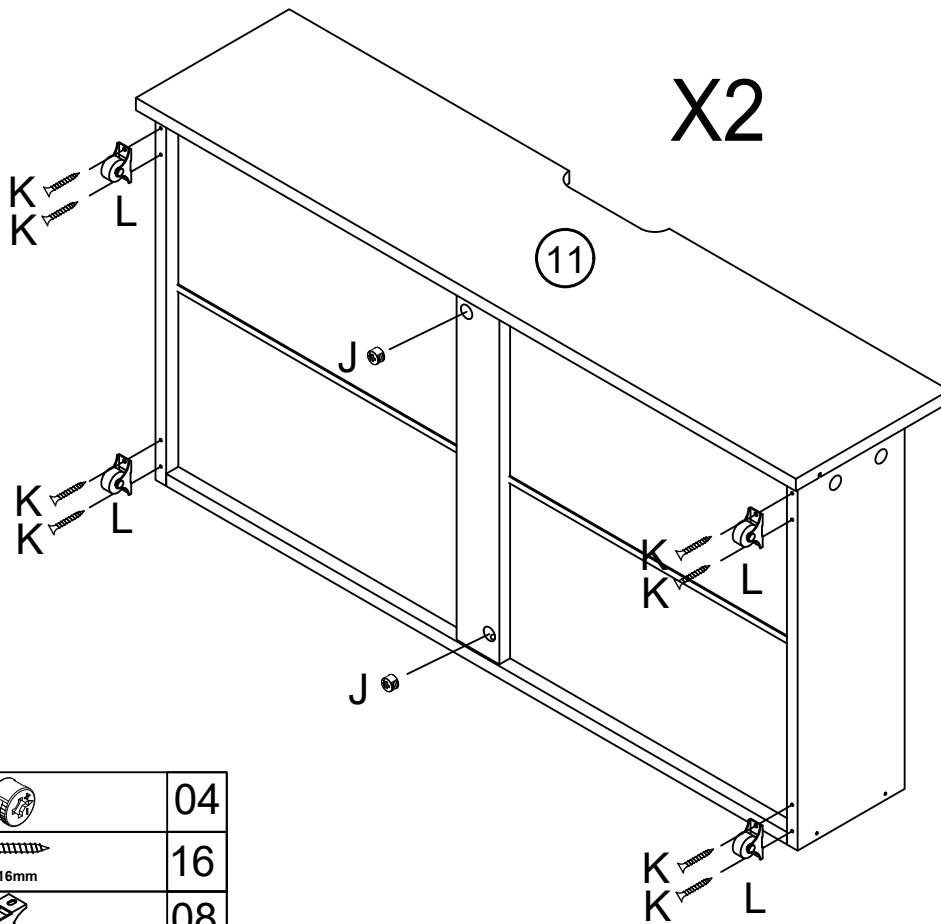
STEP 07


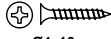



STEP 08

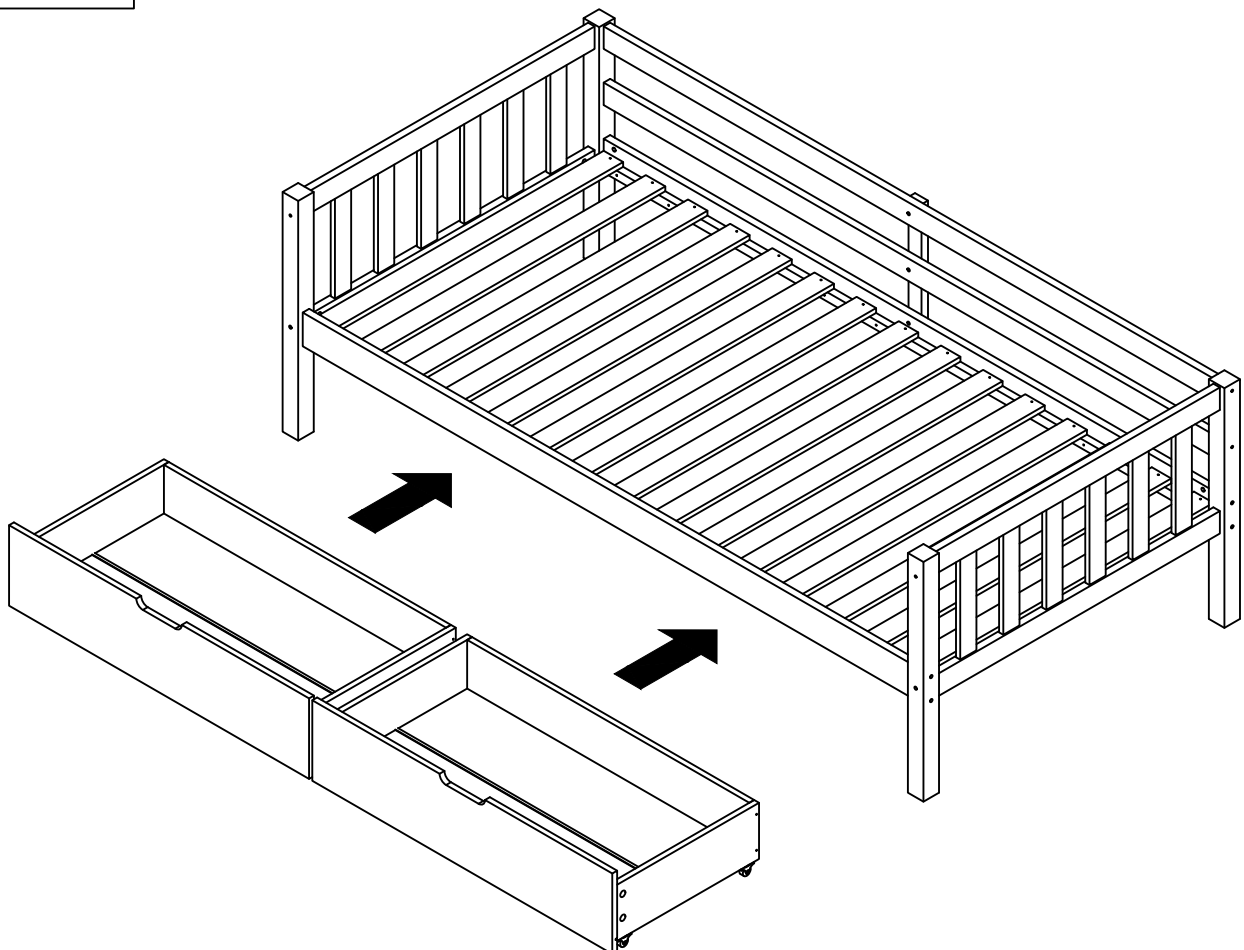


STEP 09



J		04
K	 Ø4x16mm	16
L		08

STEP 10



RETURN / DAMAGE CLAIM INSTRUCTIONS

1. **DO NOT** discard of the box / original packaging.

In case a return is required, the item must be returned in original box. Without this your return will not be accepted.

2. Take a photo of the box markings.

A photo of the markings (text) on the box is required in case a part is needed for replacement. This helps our staff identify your product number to ensure you receive the correct parts.

3. Take a photo / Video of Damage (if applicable).

A photo /Video of the damage is always required to file a claim and get your replacement or refund processed quickly. Please make sure you have the box even if it is damaged.

4. Send us an email with the images requested.

Email us directly with the attached images, order number (SOXXXX) and a description of your claim.

Auckland / Waikato / BOP Branch:	sales@tsbliving.co.nz
Christchurch Branch:	customersupport@tsbliving.co.nz
Wellington Branch:	wellington@tsbliving.co.nz