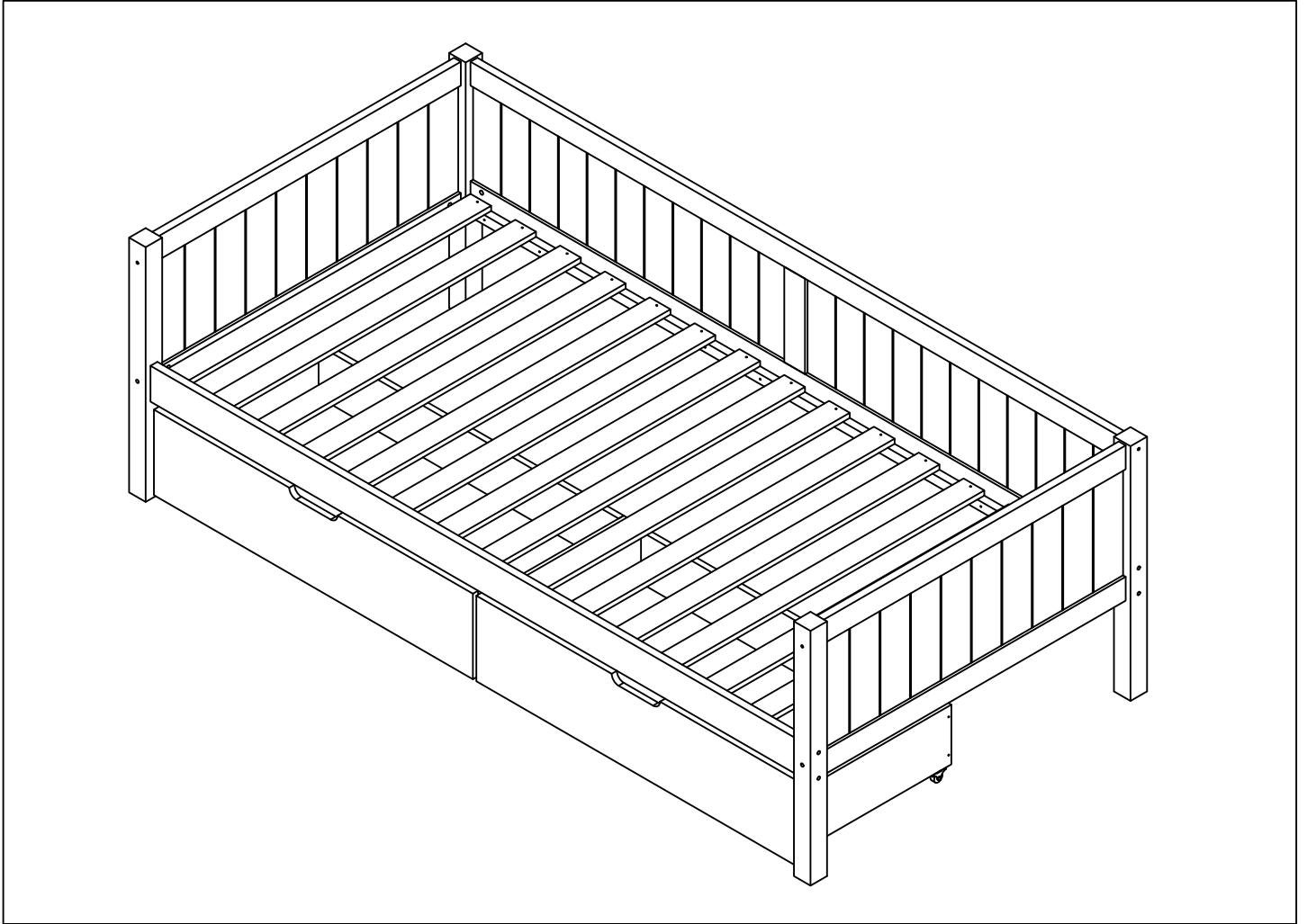
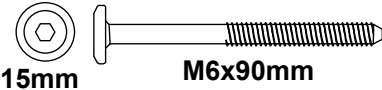

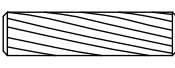
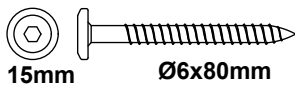
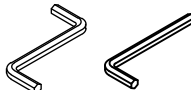



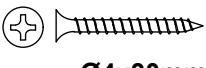
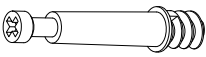
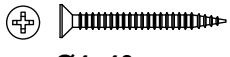
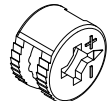
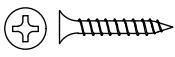
ASSEMBLY INSTRUCTIONS

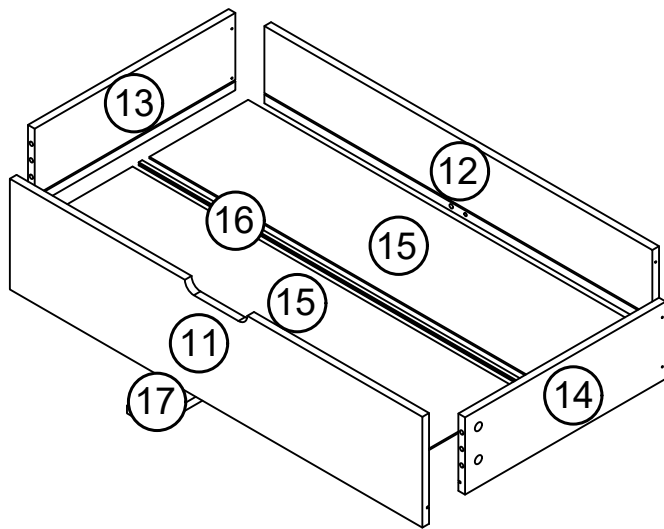
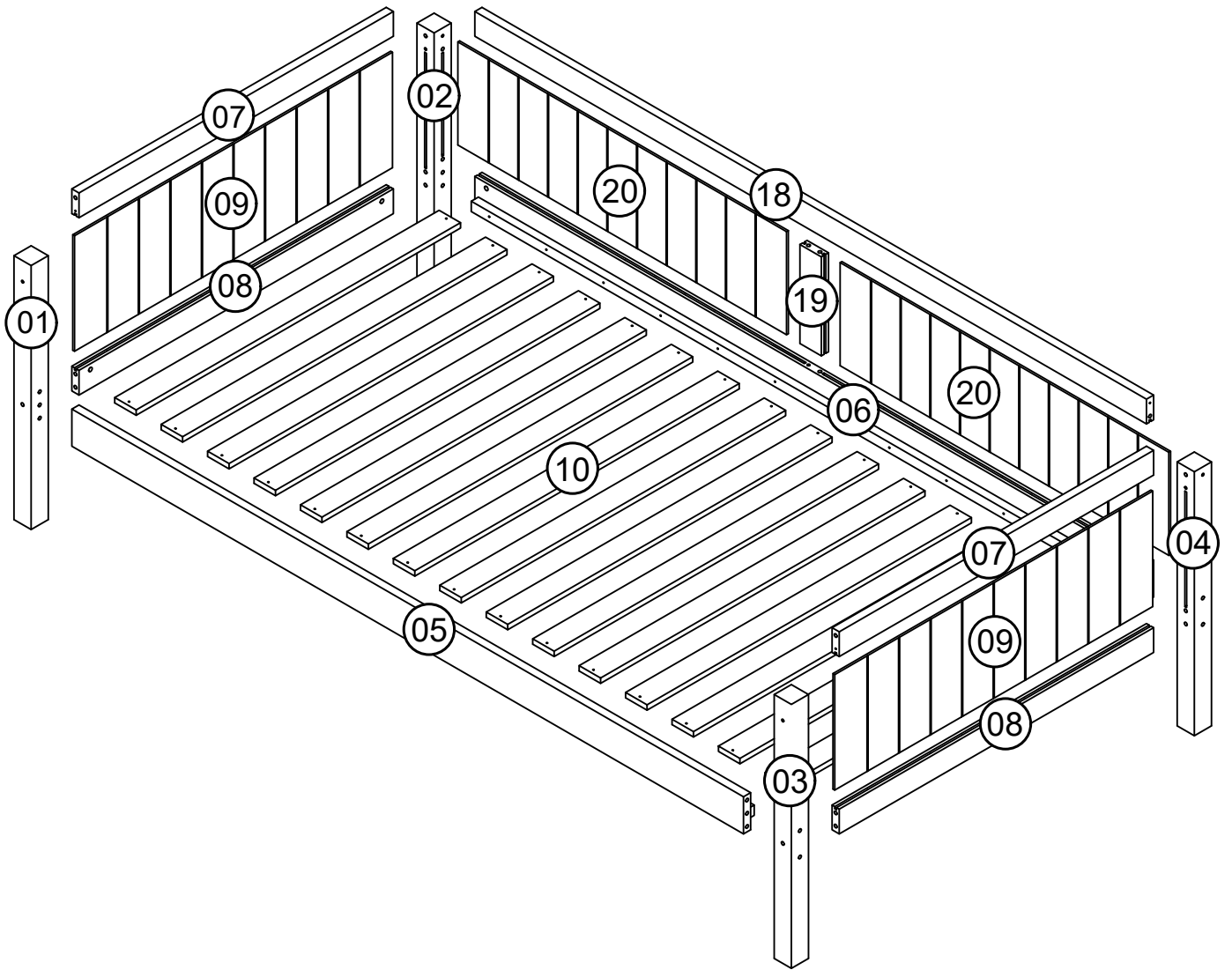
INNER SIZE:1910*910MM



HARDWARE

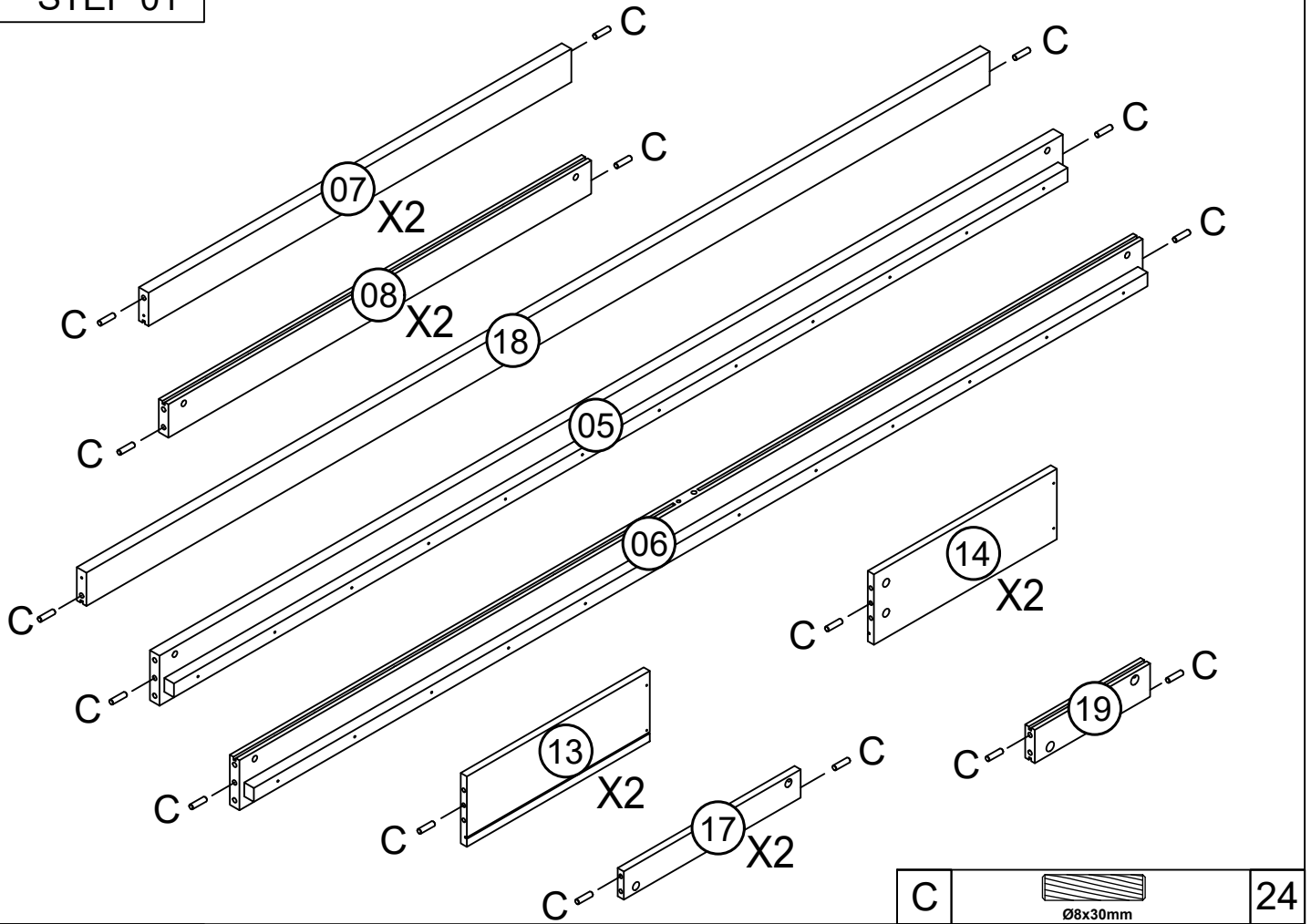
A	 15mm M6x90mm	12
B		12
C	 Ø8x30mm	24
D	 15mm Ø6x80mm	06
E		02
F		08

G	 8mm Ø4x30mm	30
H		14
I	 Ø4x40mm	08
J		14
K	 Ø4x16mm	16

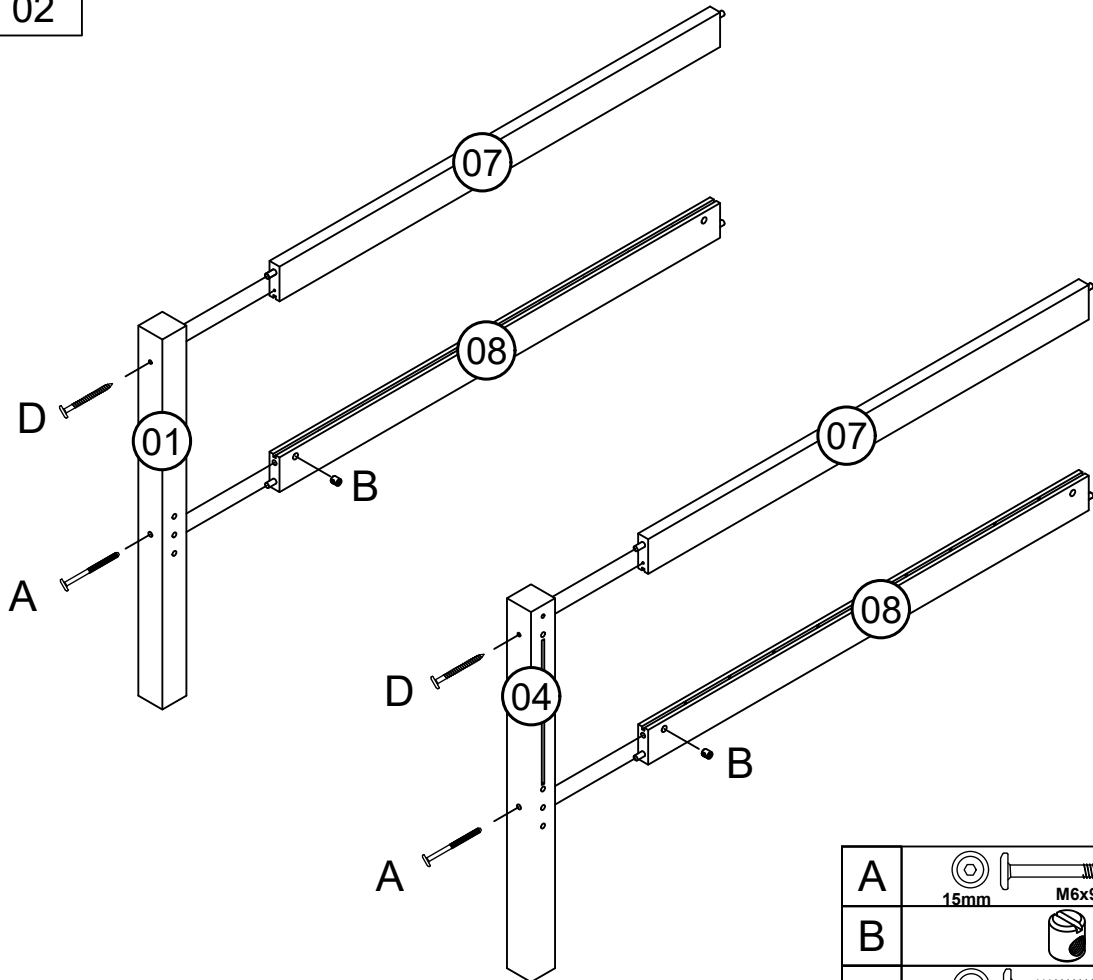


X2

STEP 01

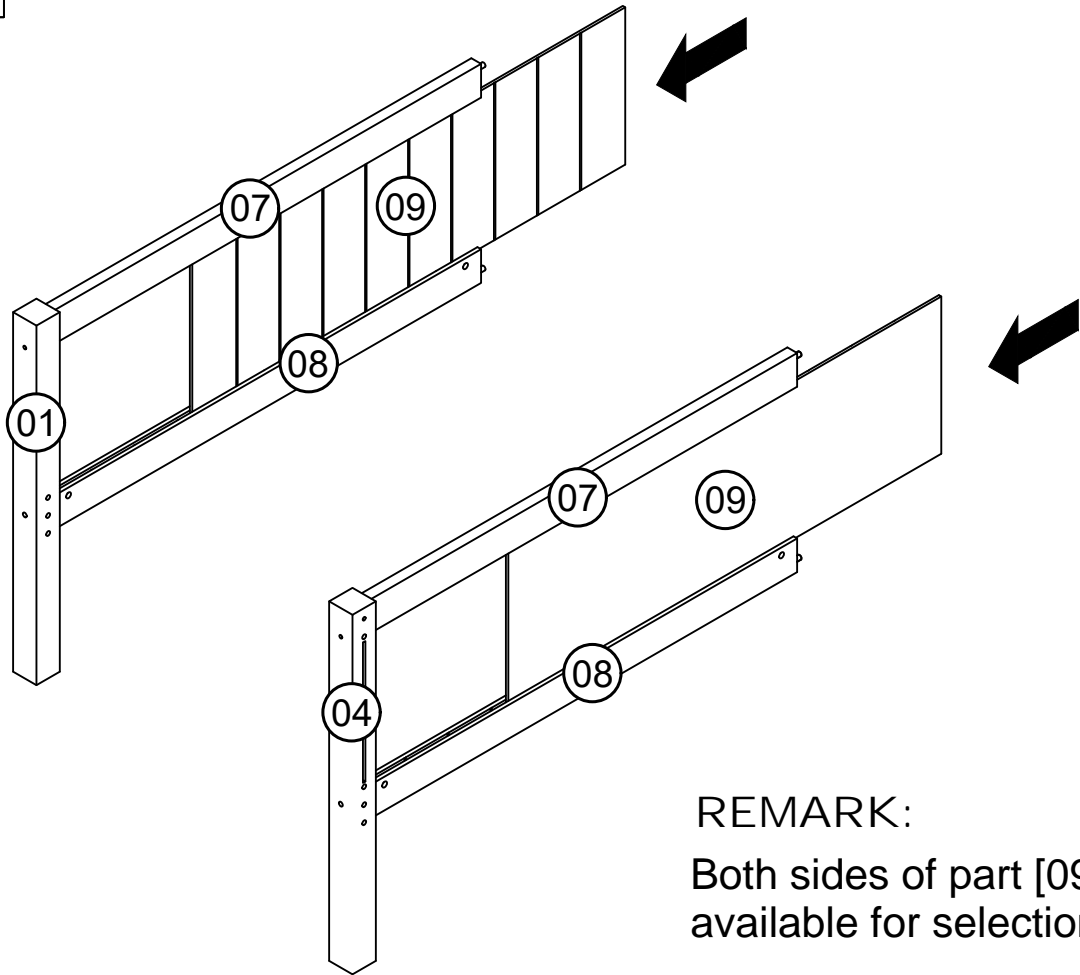


STEP 02



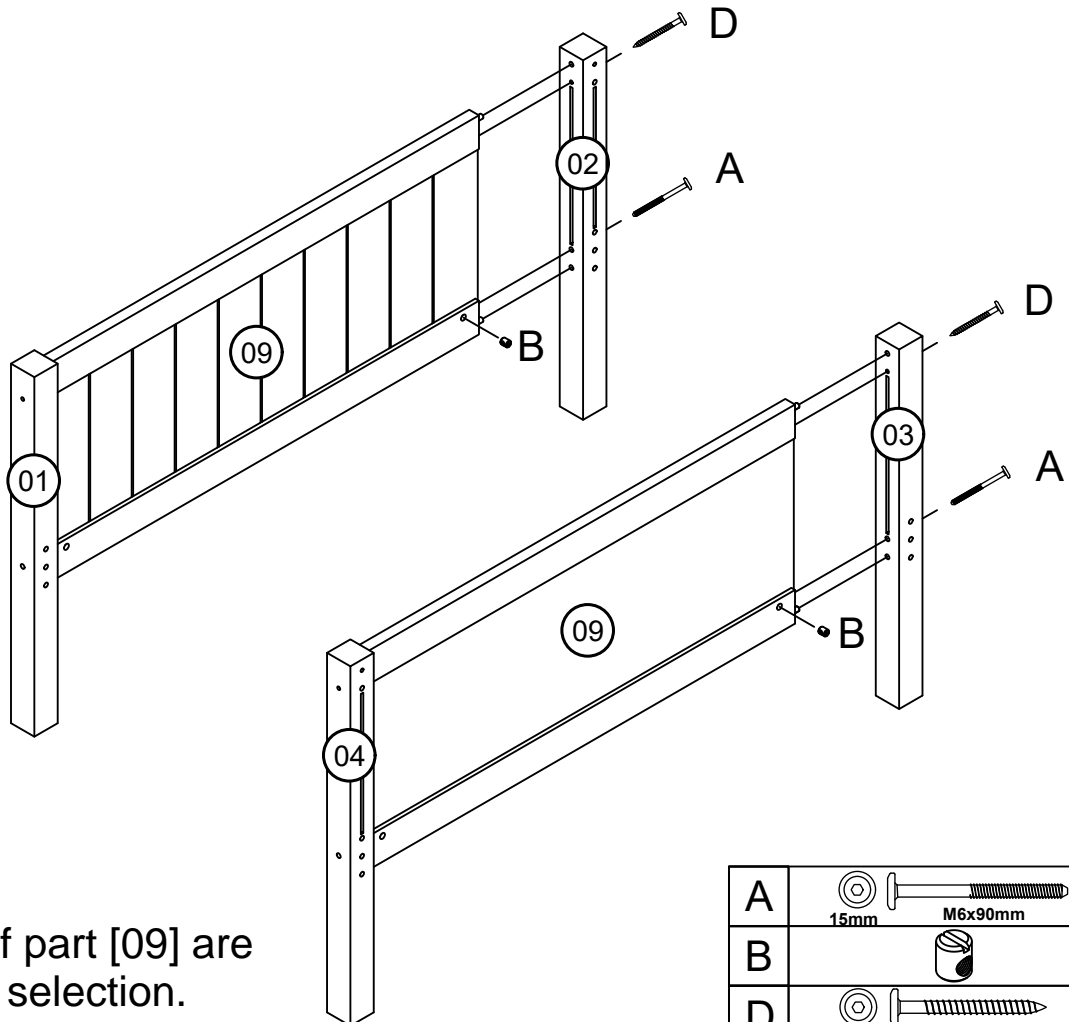
A		02
B		02
D		02

STEP 03






REMARK:
Both sides of part [09] are available for selection.

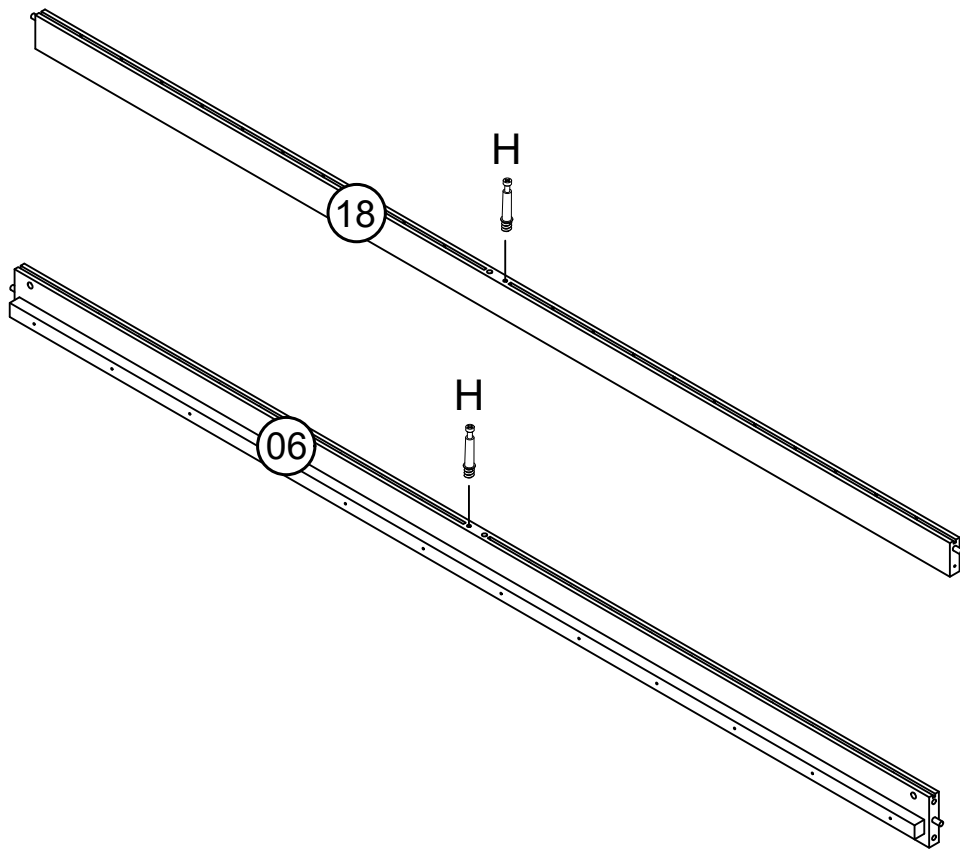
STEP 04



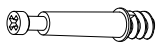
REMARK:
Both sides of part [09] are available for selection.

A		02
B		02
D		02

STEP 05

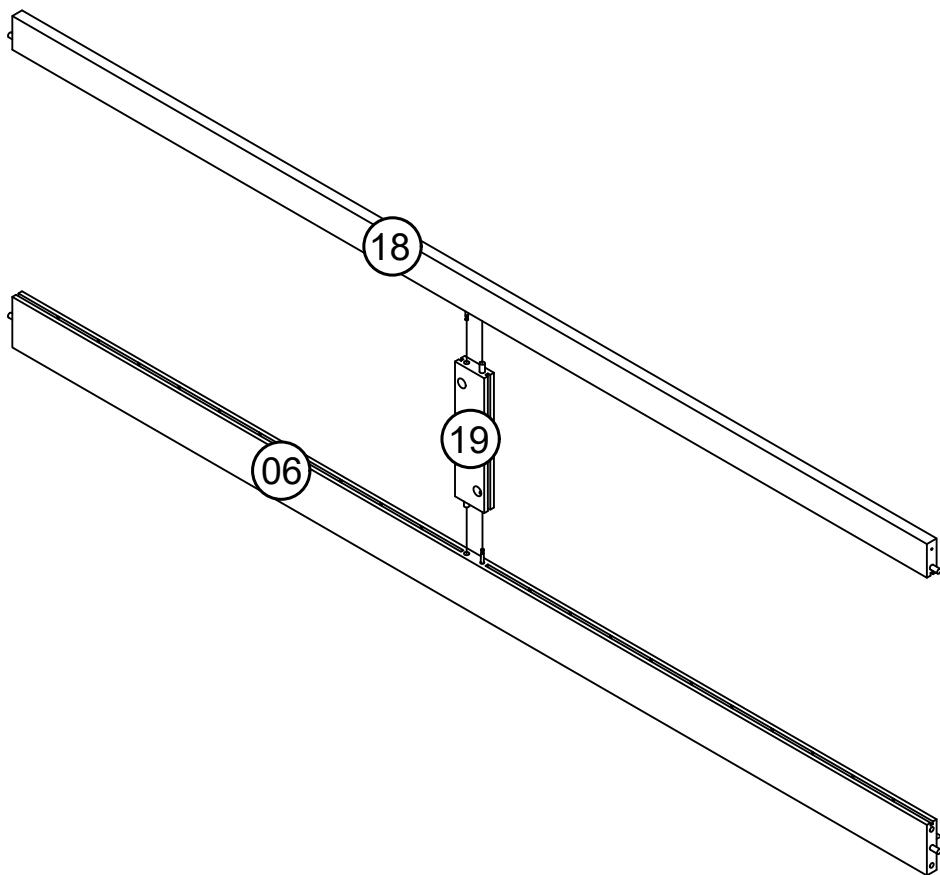


H

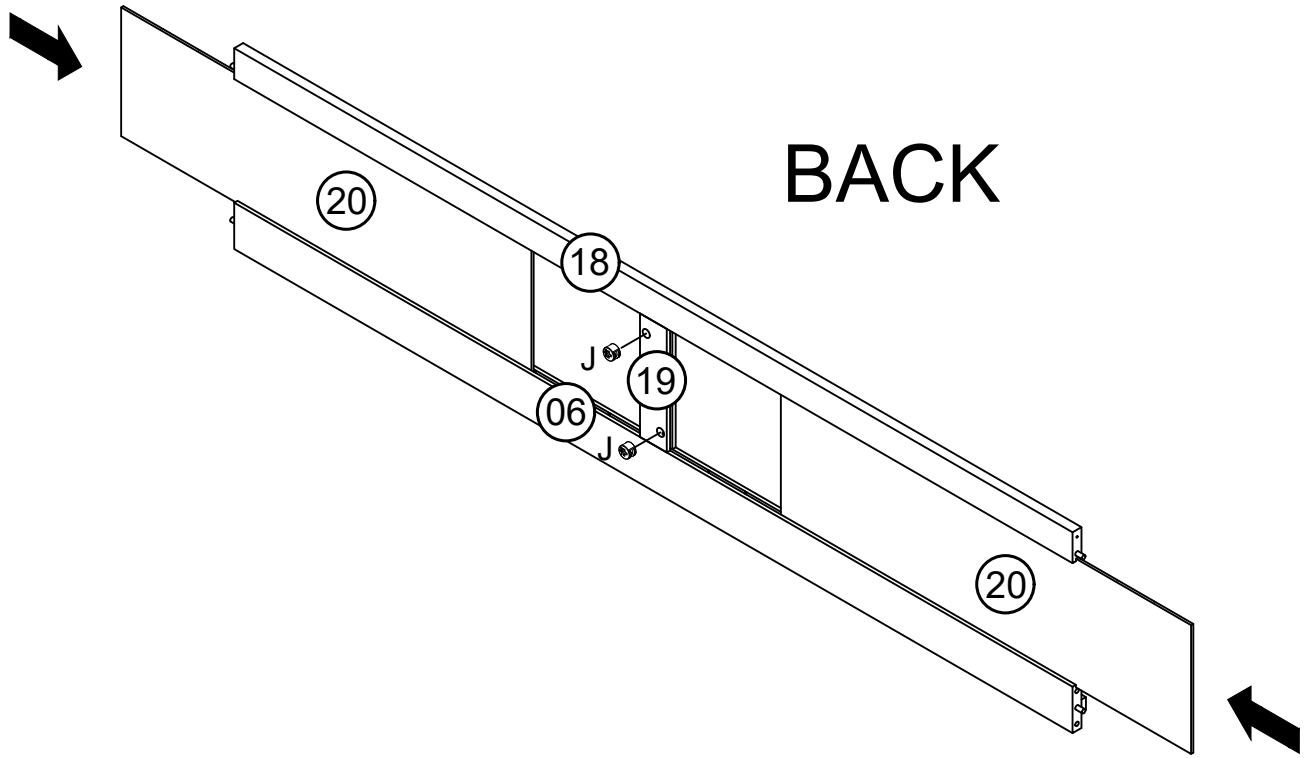



02

STEP 06

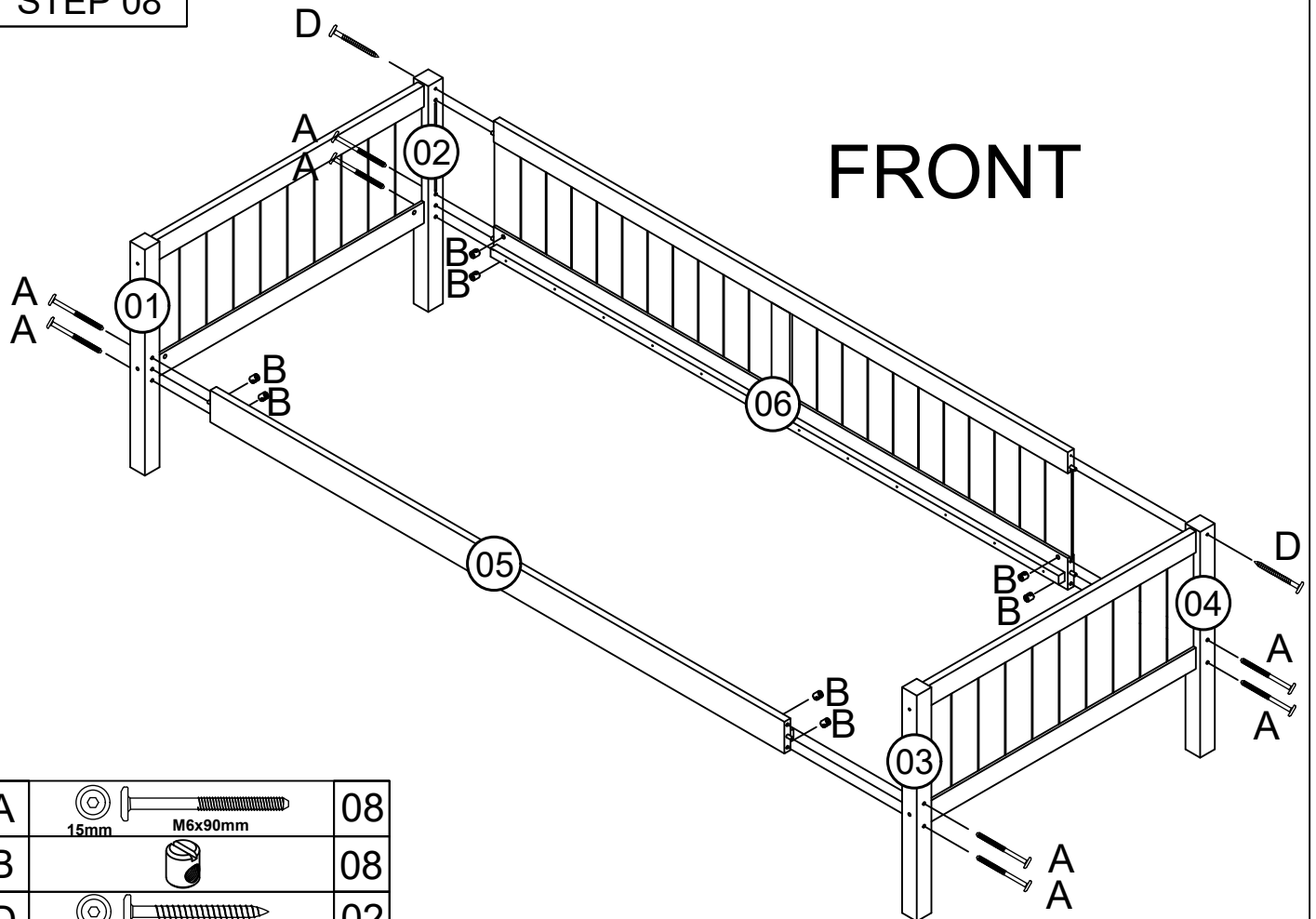





STEP 07



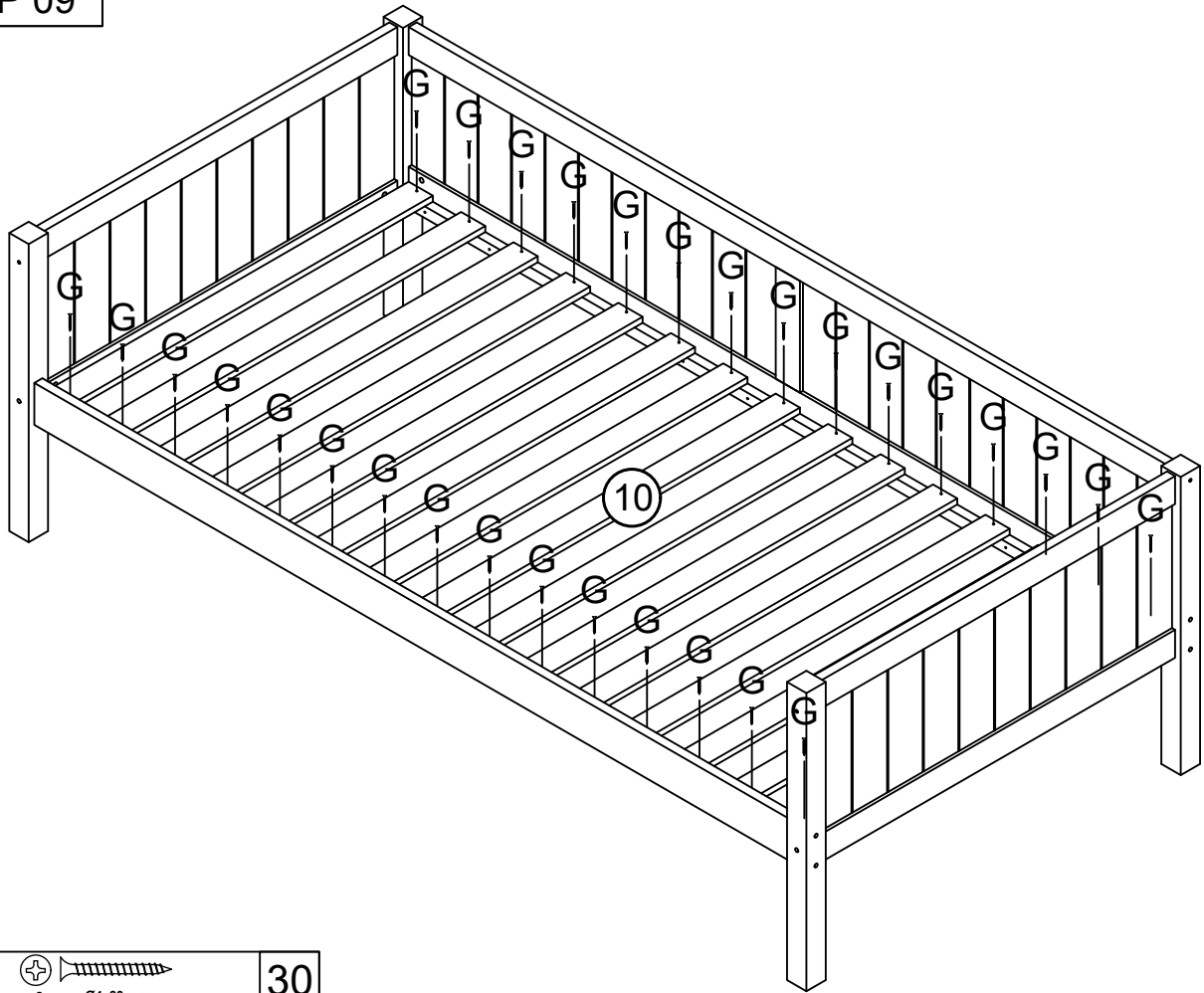
J		02
---	---	----

STEP 08

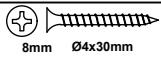


A		08
B		08
D		02

STEP 09

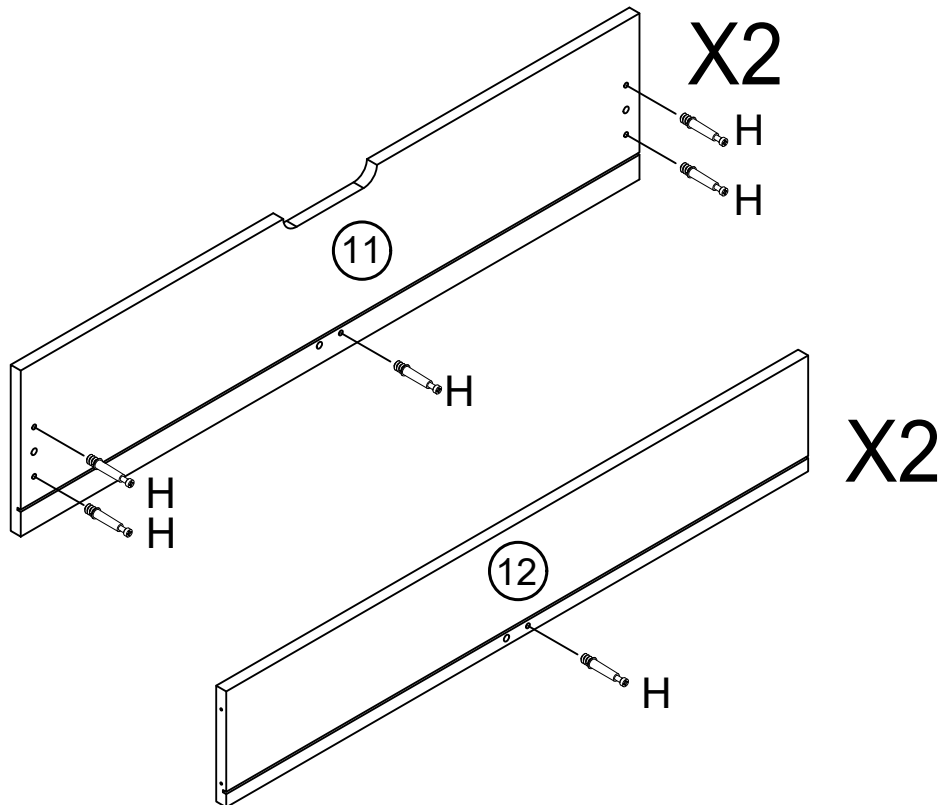


G



30

STEP 10



X2

11

H
H

H

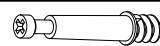
H
H

X2

12

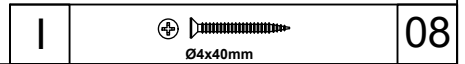
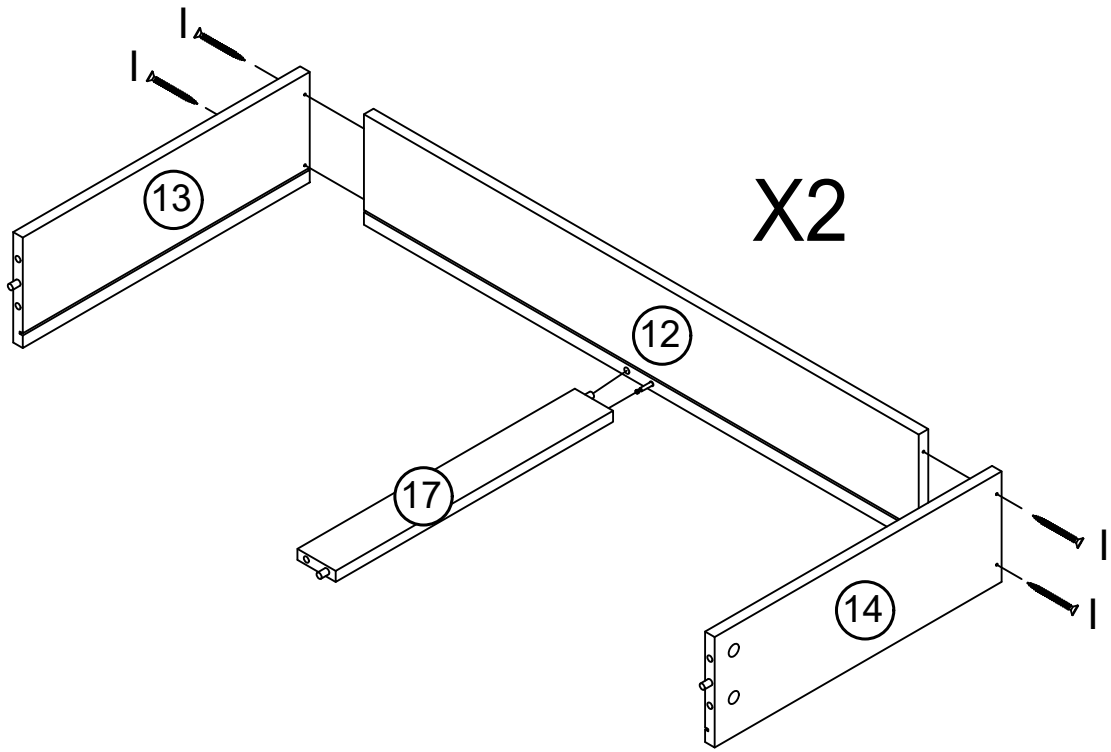
H

H

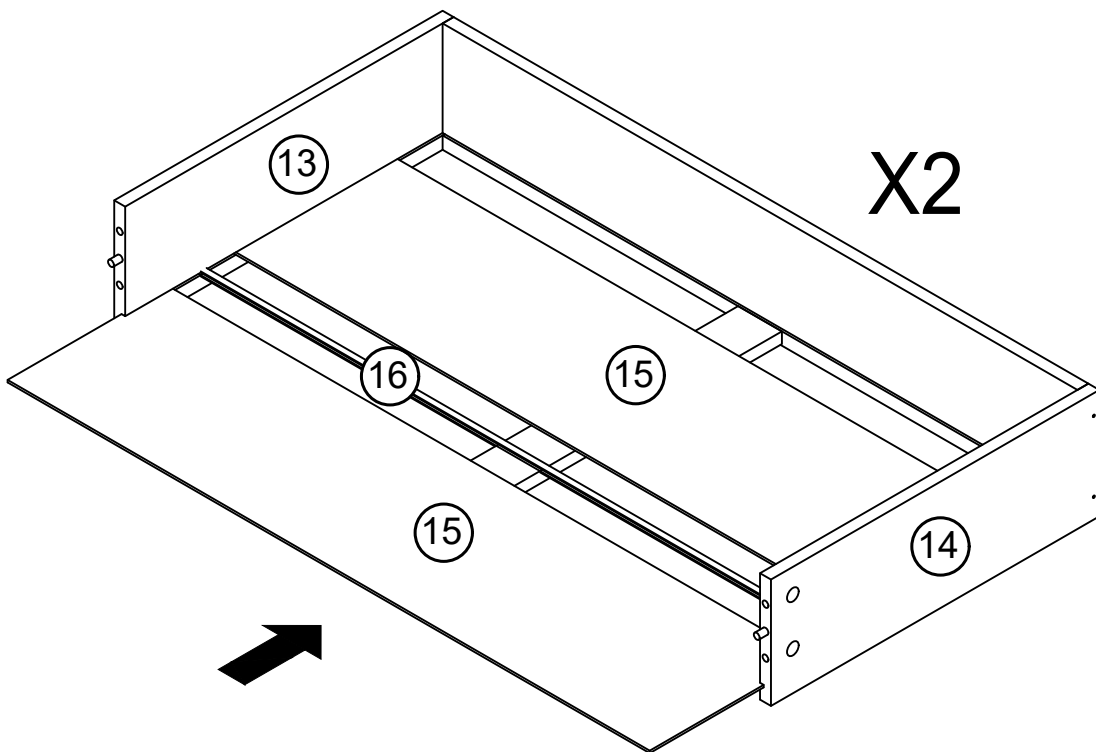


12

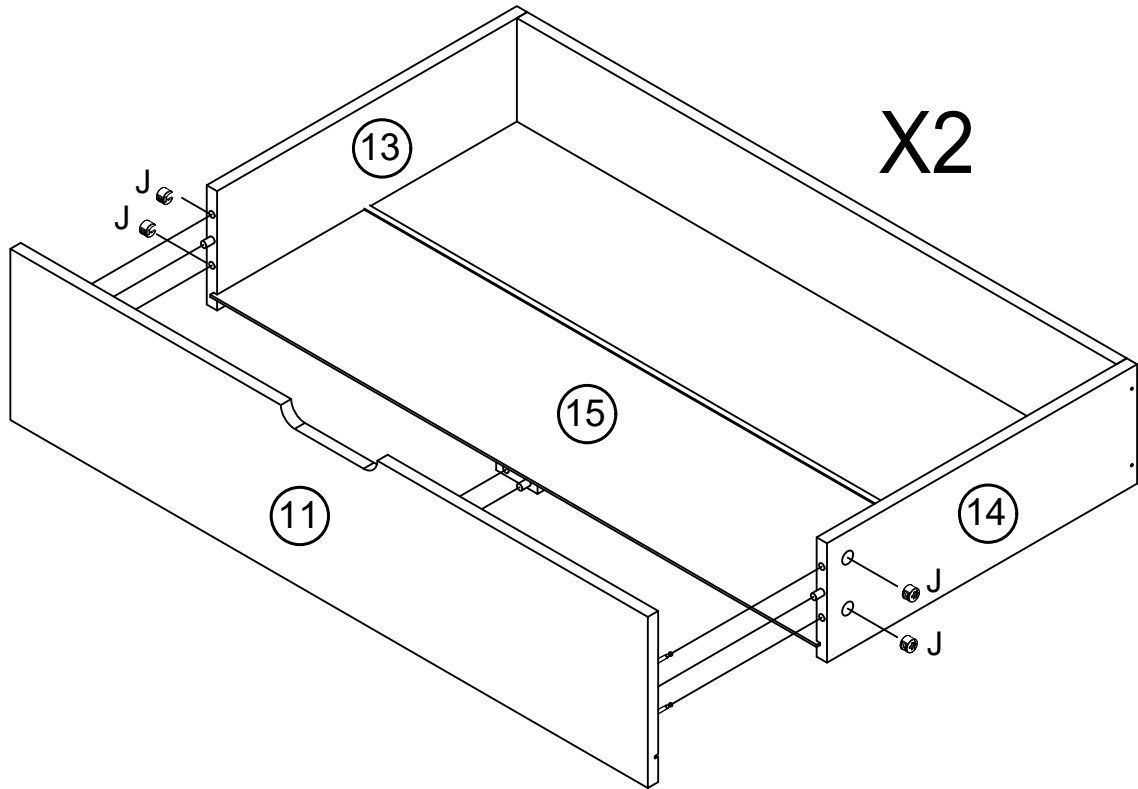
STEP 11




STEP 12

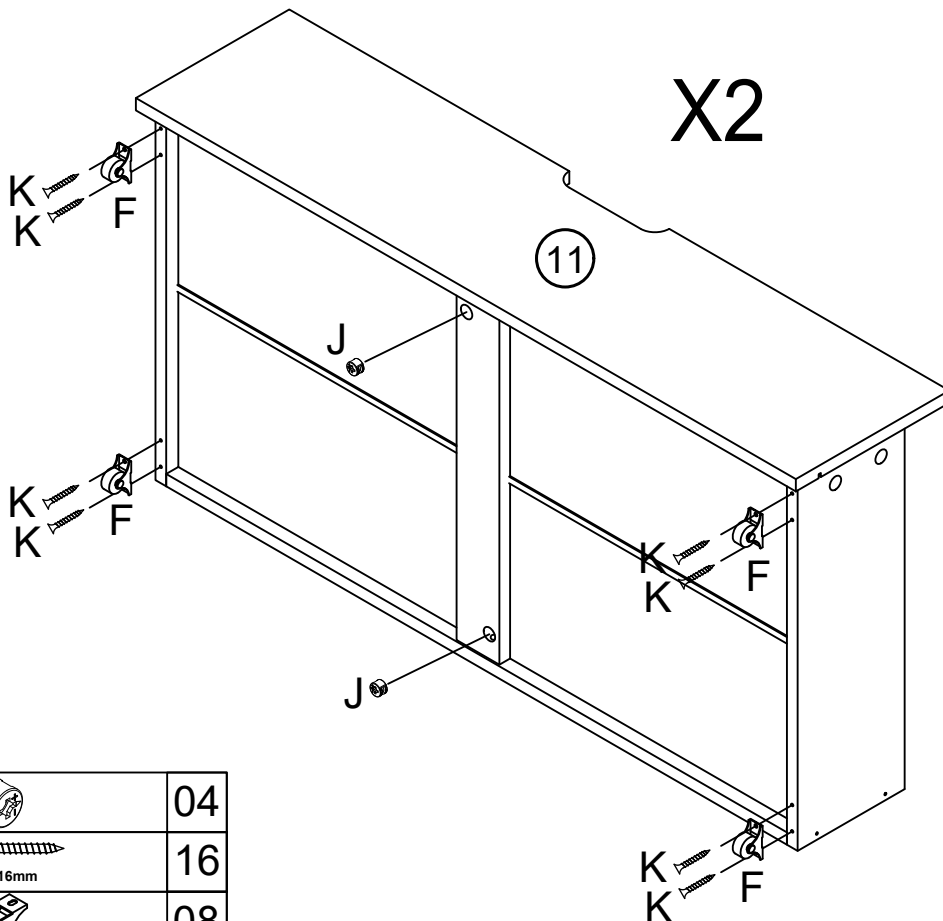



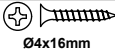

STEP 13



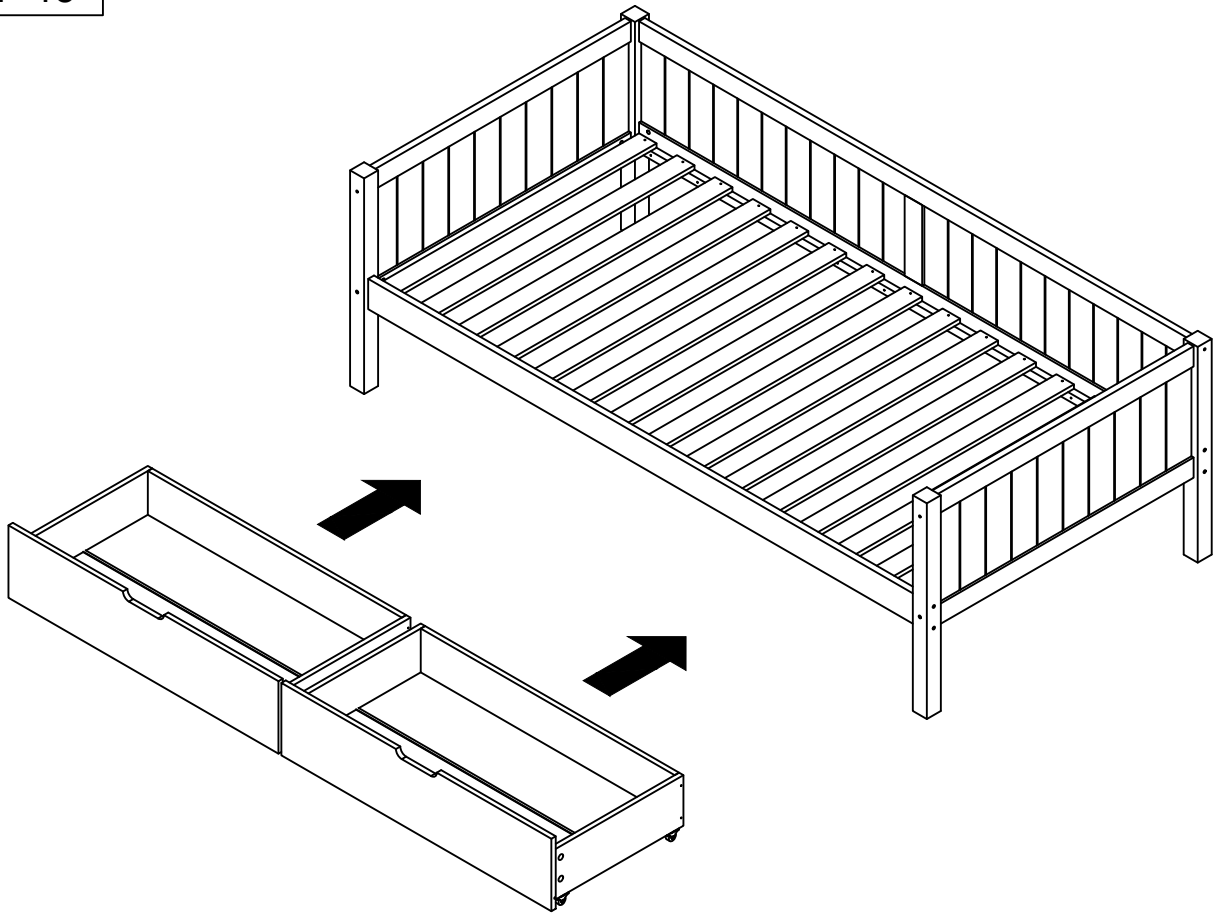
J		08
---	---	----

STEP 14

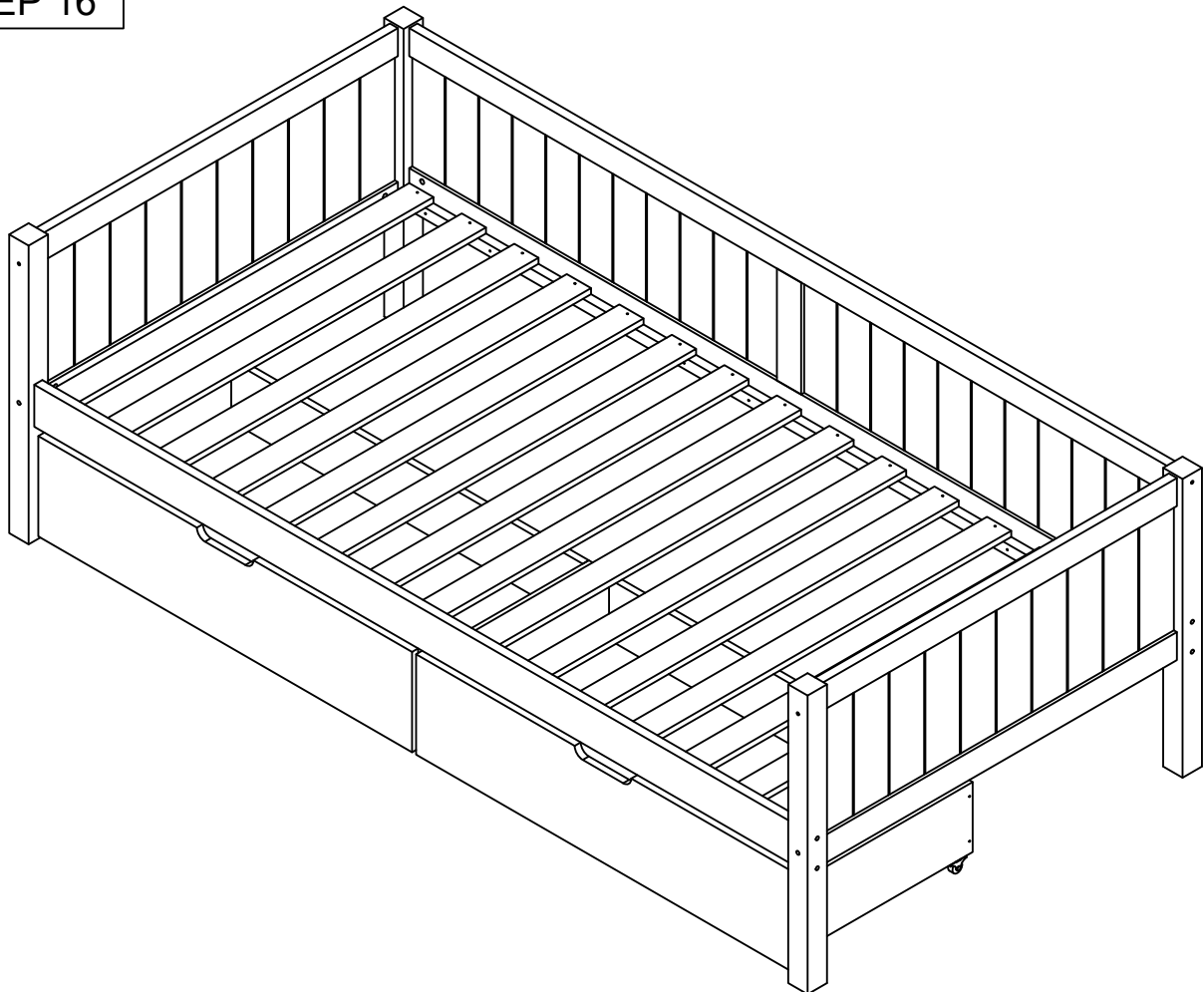


J		04
K	 Ø4x16mm	16
F		08

STEP 15



STEP 16



RETURN / DAMAGE CLAIM INSTRUCTIONS

1. **DO NOT** discard of the box / original packaging.

In case a return is required, the item must be returned in original box. Without this your return will not be accepted.

2. Take a photo of the box markings.

A photo of the markings (text) on the box is required in case a part is needed for replacement. This helps our staff identify your product number to ensure you receive the correct parts.

3. Take a photo / Video of Damage (if applicable).

A photo /Video of the damage is always required to file a claim and get your replacement or refund processed quickly. Please make sure you have the box even if it is damaged.

4. Send us an email with the images requested.

Email us directly with the attached images, order number (SOXXXX) and a description of your claim.

Auckland / Waikato / BOP Branch: sales@tsbliving.co.nz

Christchurch Branch: customersupport@tsbliving.co.nz

Wellington Branch: wellington@tsbliving.co.nz