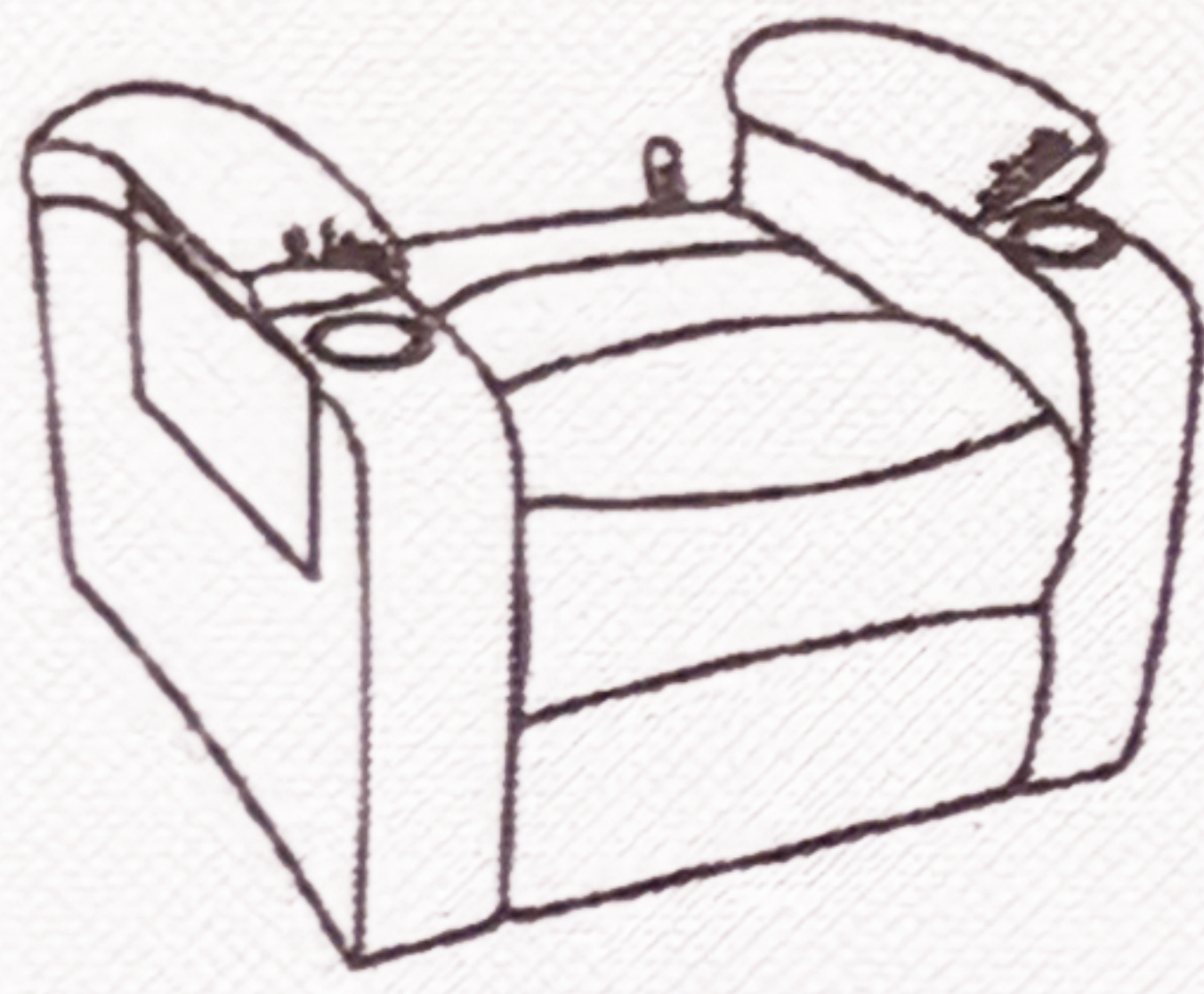


ASSEMBLY INSTRUCTION

PUSH BACK CHAIR MODEL HS408

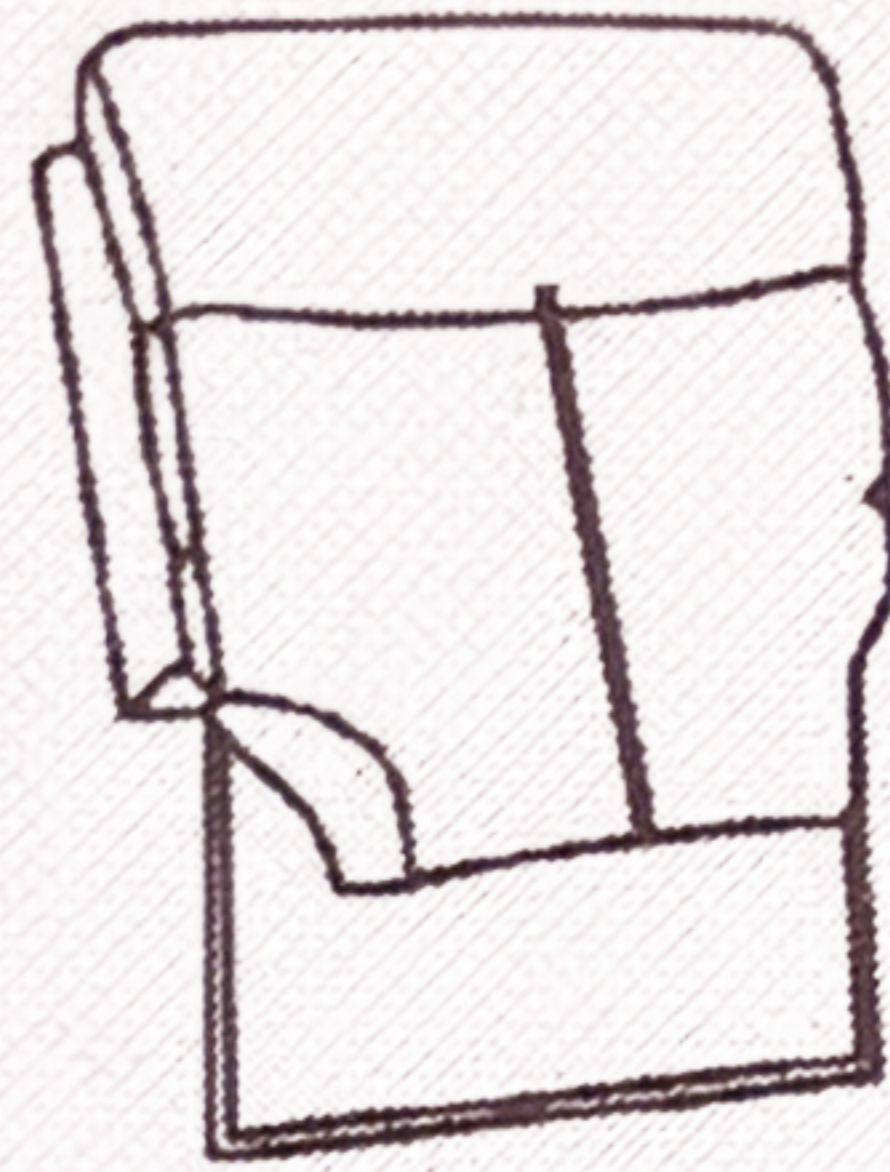
PART LIST

Ax1



SEAT

Bx1



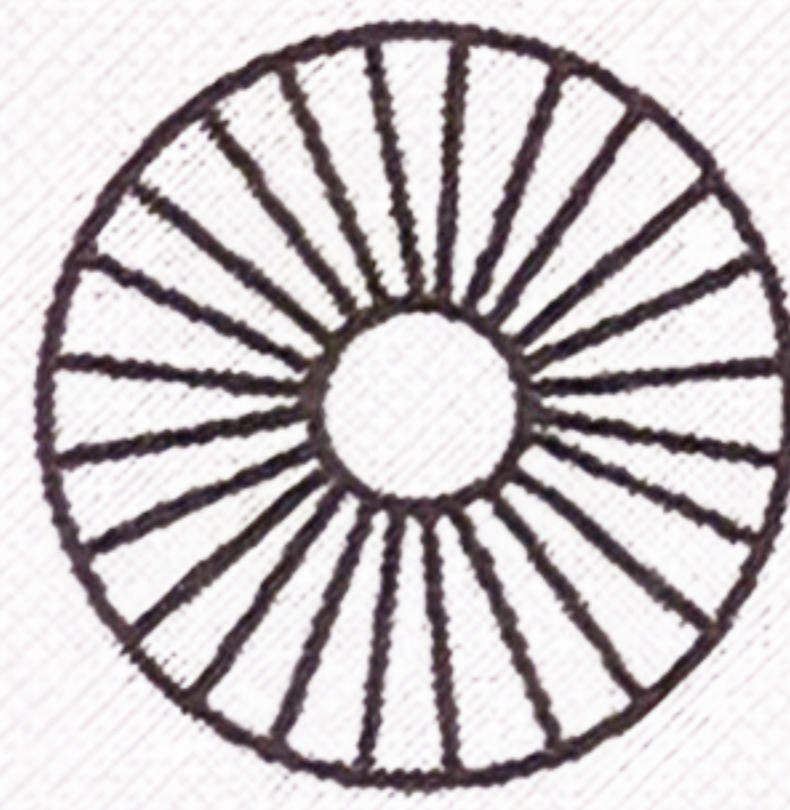
BACK

Cx4



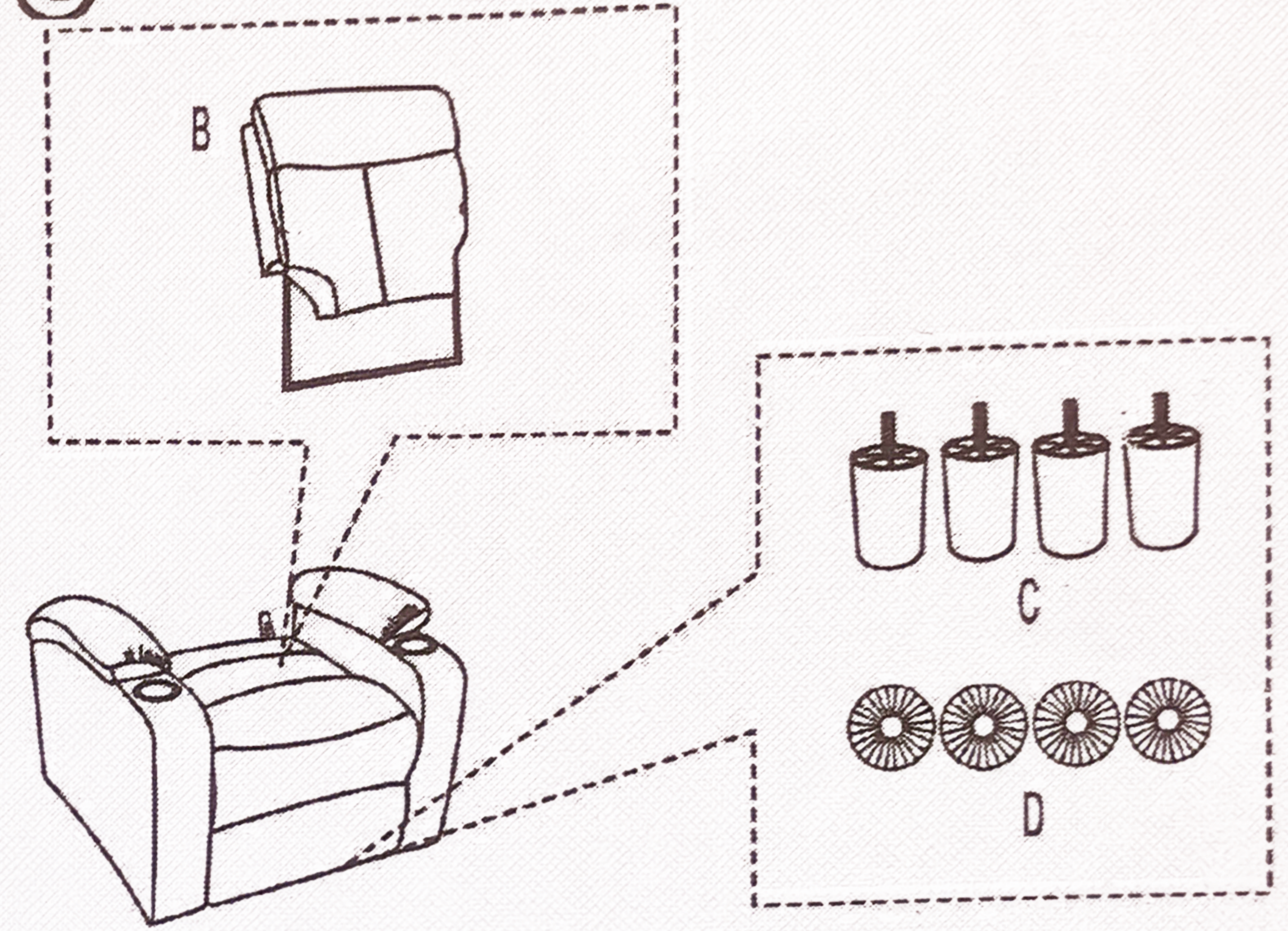
Diameter 6 cm,height 5 cm
plastic foot

Dx4

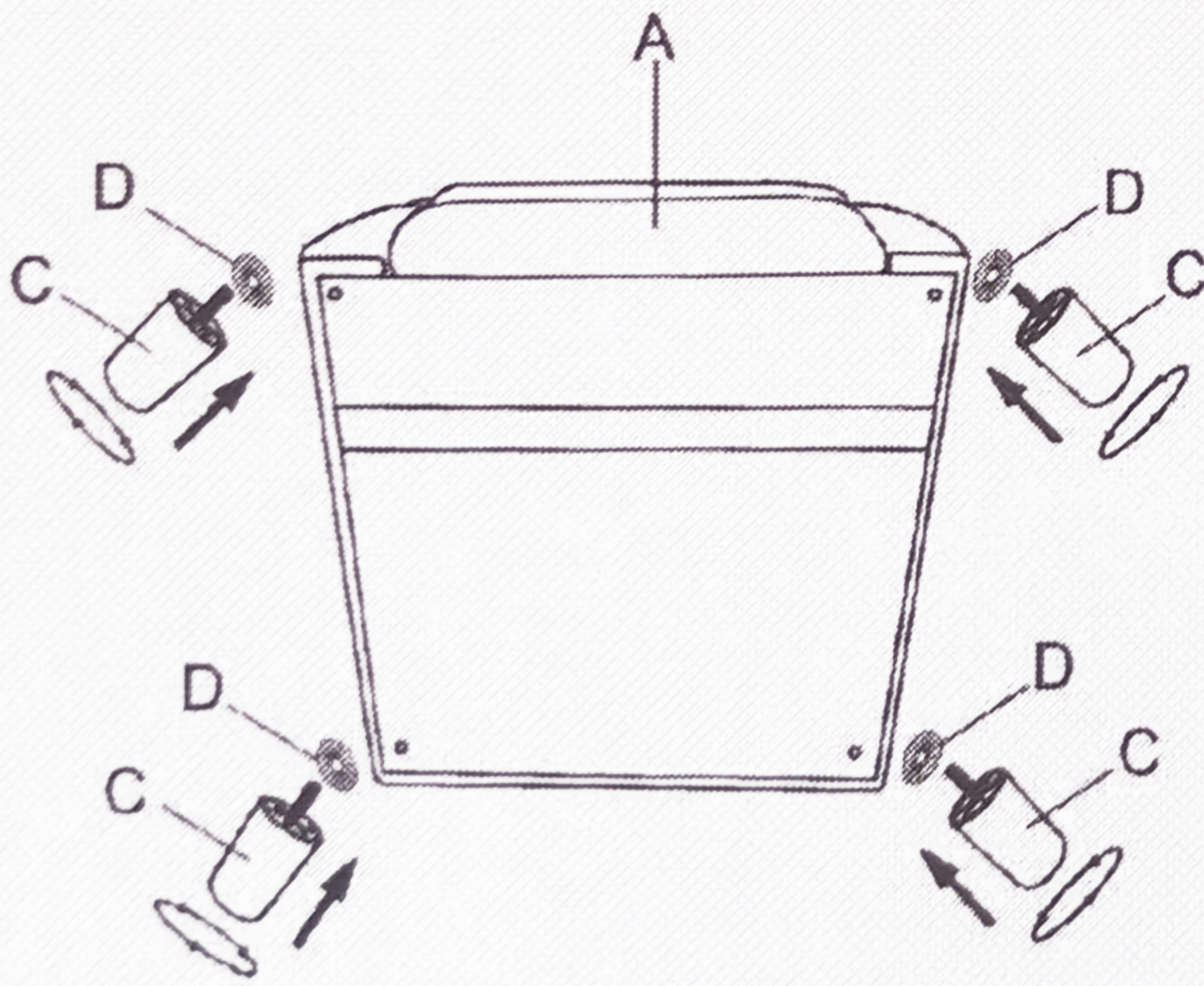


4cm in diameter,0.3cm
thick plastic gasket

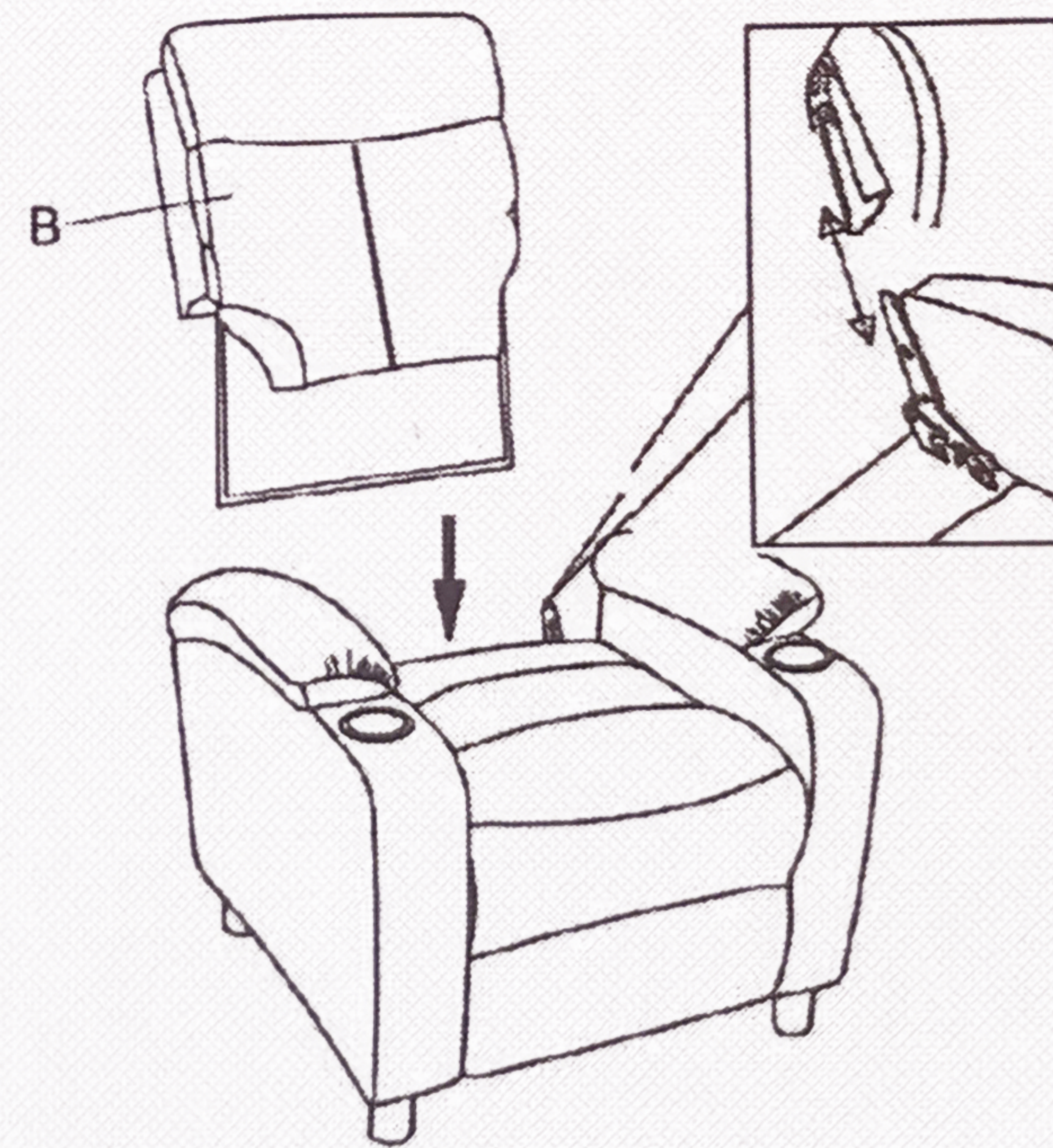
1



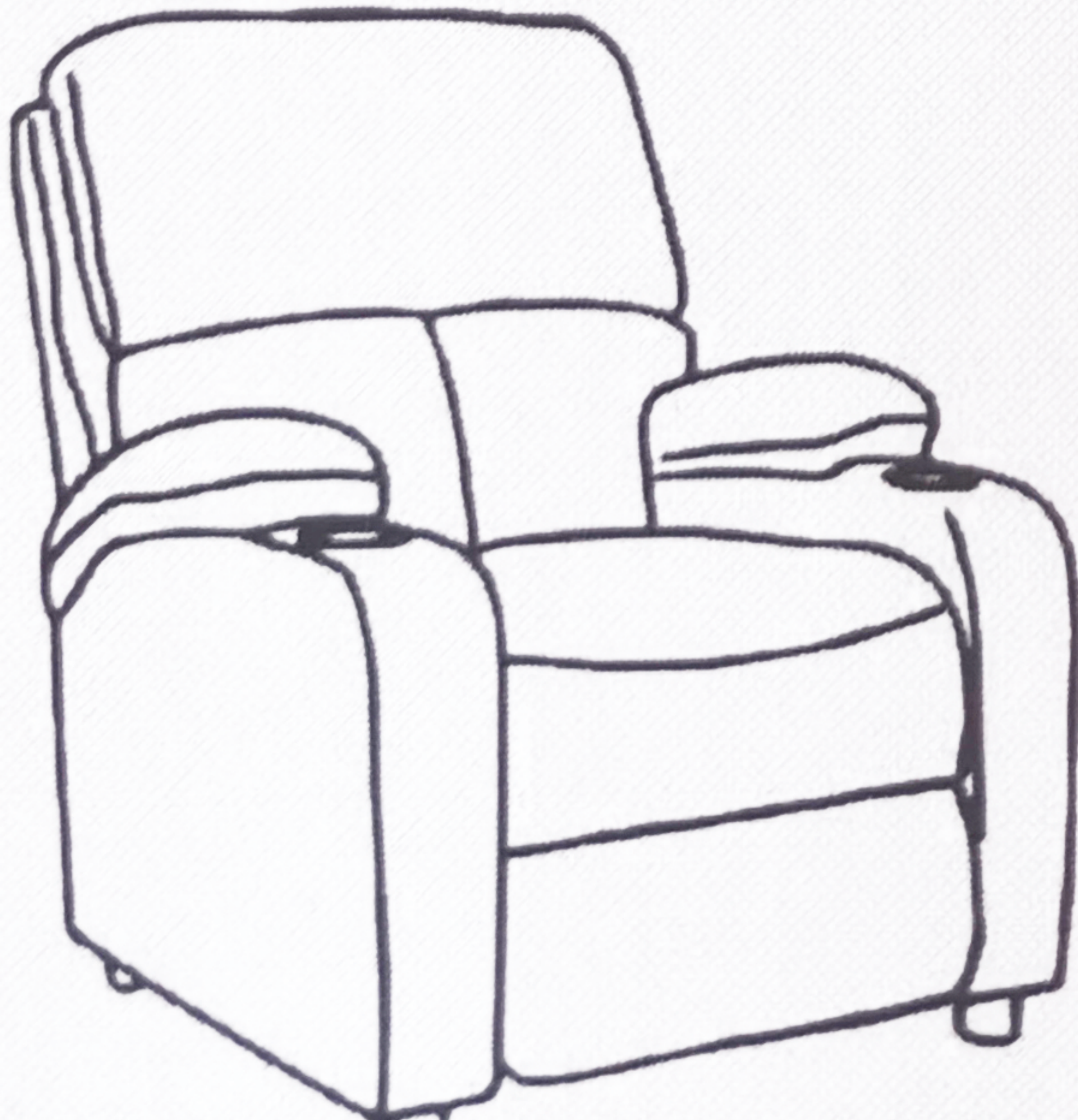
STEP 1



STEP 2



STEP 3



STEP 4

