
ELECTRIC FIREPLACE STOVE HEATER

Model# WS-D-01

INSTRUCTION MANUAL



Only use this heater as described in this manual. Any other use is **not** recommended by the manufacturer, and may cause **fire, electric shock,** or other **personal injury.**



WARNING! Read and understand this entire owner's manual, including **all safety information,** before plugging in or **using** this product. Failure to do so could result in **fire, electric shock, serious personal injury.**



WARNING! INDOOR use only! NEVER use this heater outdoors!

Power: AC 220-240V 50Hz
Maximum Heat: 1750 -2000 WATTS



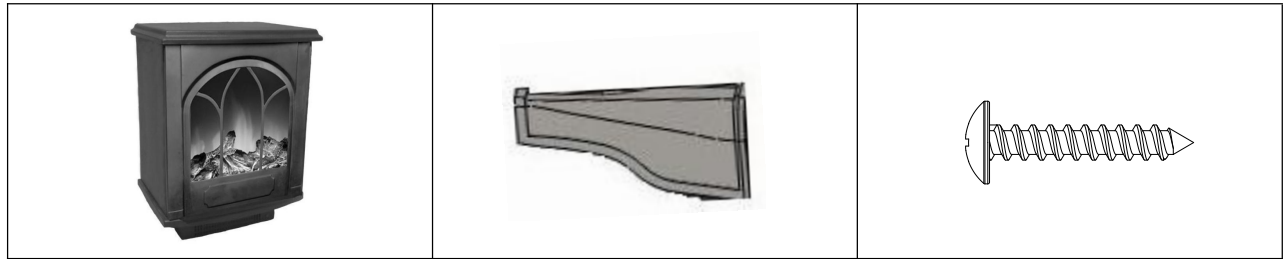
IMPORTANT SAFETY INFORMATION!

When using electrical appliances basic precautions should always be followed to reduce the risk of fire, electric shock and injury to persons, including the following:

- Read all instructions before using this heater.
- This heater is hot when in use. To avoid burning, do not touch hot surface. If provided, use handles when moving this heater. Keep combustible materials, such as furniture, pillows, bedding, papers, clothes, and curtains at least 1 m from the front of the heater and keep them away from the sides and rear. In order to avoid overheating, do not cover the heater.
- Extreme caution is necessary when any heater is used near children or the infirm and whenever the heater is left operating and unattended.
- Always unplug heater when not in use.
- Do not operate any heater with a damaged cord or plug or after the heater malfunctions, has been dropped damaged in any manner, return heater to authorized service facility for examination, electrical or mechanical adjustment, or repair.
- Indoor use only, do not use outdoors.
- This heater is not intended for use in bathrooms, laundry areas and similar indoor locations. Never locate heater where it may fall into a bathtub or other water container.
- Do not run cord under carpeting. Do not cover cord with throw rugs, runners, or similar coverings. Arrange cord away from traffic area and where it will not be tipped over.
- To disconnect heater, turn controls to off, then remove plug from outlet.
- Do not inset or allow foreign objects to enter any ventilation or exhaust opening as this may cause an electric shock or fire, or damage the heater.
- To prevent a possible fire, do not block air intakes or exhaust in any manner. Do not use on soft surfaces, like a bed, where openings may become blocked.
- A heater has hot and arcing or sparking parts inside. Do not use it in areas where gasoline, or flammable liquids are used or stored.
- Use this heater only as describes in this manual. Any other use not recommended by the manufacturer may cause fire, electric shock, or injury to persons.
- DANGER-HIGH Temperatures may be generated under certain abnormal conditions. Do not partially or fully cover or obstruct the front of this heater.
- Replacement of the lamps should be done only while the heater is disconnected from the supply circuit.
- This appliance is not intended for use by persons (including children) with reduced physical, sensory or capabilities, or lack of experience and knowledge, unless they have been given supervision or instruction concerning use of the appliance by a person responsible for their safety. Children should be supervised to ensure that they do not play with the appliance.
- CAUTION: In order to avoid a hazard due to inadvertent resetting of the thermal cut-out, this appliance must not be supplied through an external switching device, such as a timer, or connected to a circuit that is regularly switched on and off by the utility.

ASSEMBLY INSTRUCTIONS

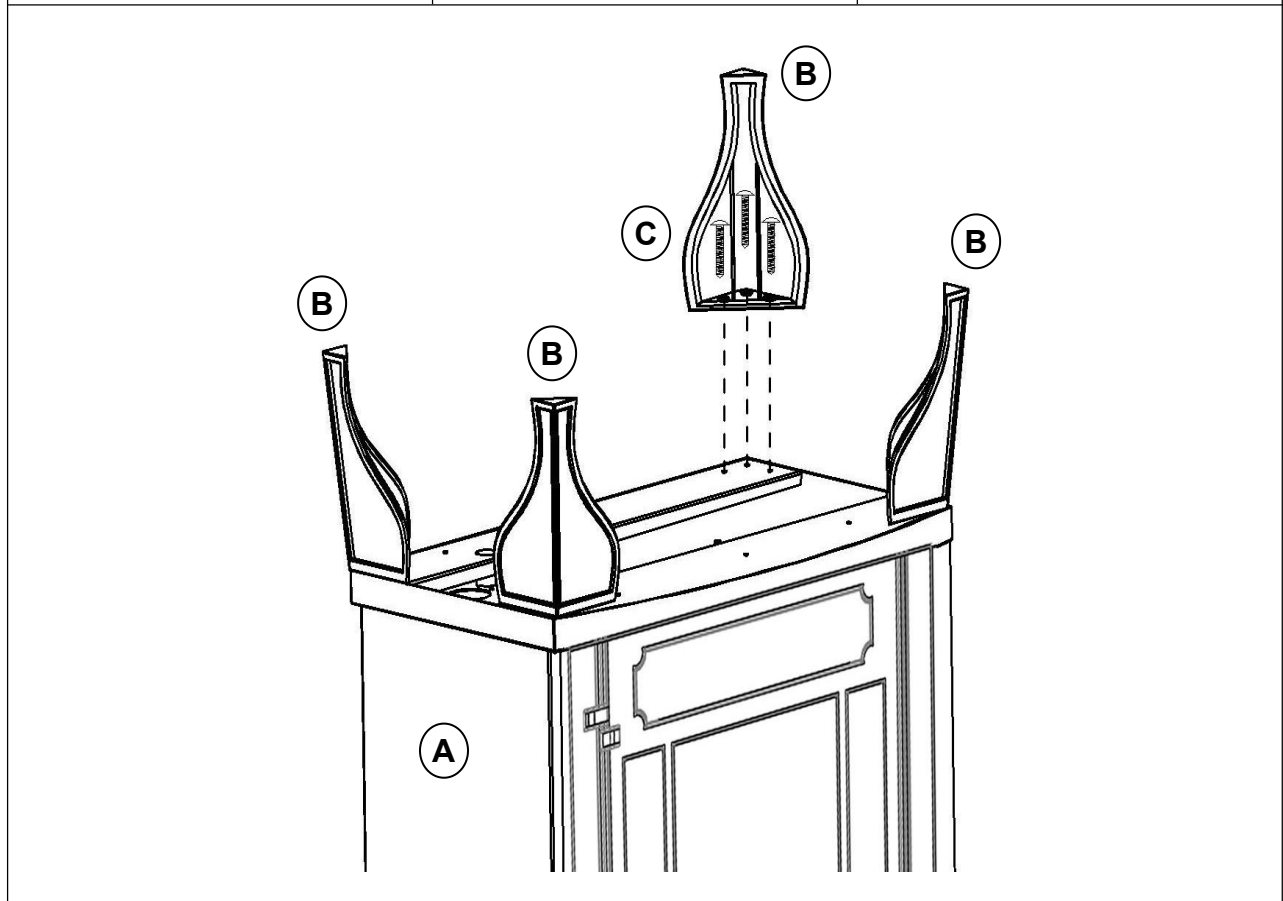
Remove all parts and hardware from the carton and place them on a clean, soft, and dry surface.



A - (1)

B - (4)

C - (12)



ALWAYS make sure the unit is **unplugged** before beginning **assembly!**
NEVER move or clean the heater, while it is **plugged in.**



ALWAYS attach the feet before using! **NEVER** plug in or operate this unit if the feet are not securely attached!

OPERATION

NOTICE

When the heat function is used for the first time, a slight odor may be present. This is normal and should not occur again unless the heater is not used for an extended period of time.

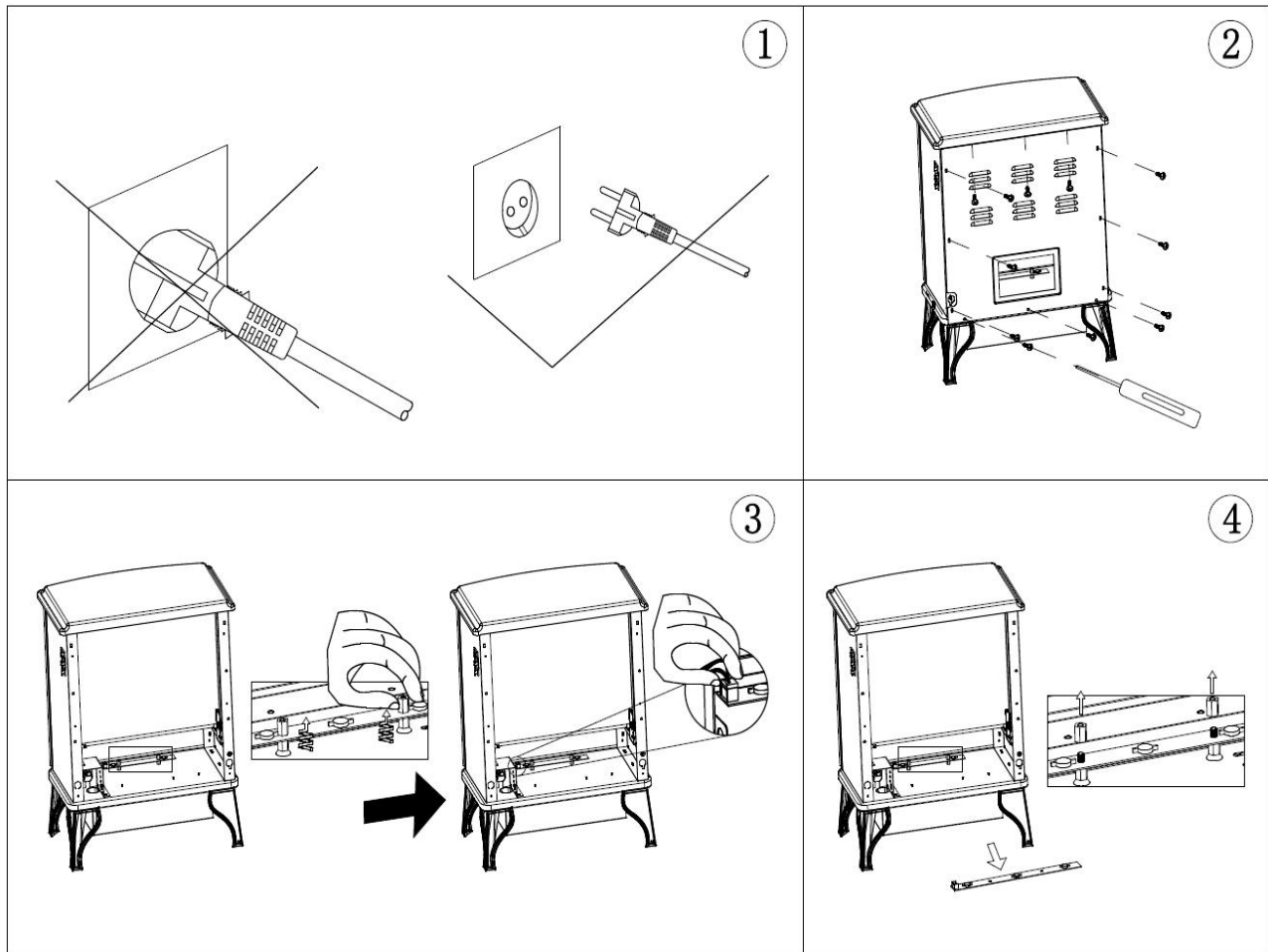
BUTTON	ACTION / FUNCTION	INDICATION / RESULT
ON/OFF	1. Press to turn on flame effect and enable heater. Heater switches will not work unless this switch is turned on. 2. Press again to shut off the power to all functions.	1. Flame effect and power light on switch turn on. The heater is now enabled. 2. Power lights, heaters, and flame effect turn off.
LOW HEAT	1. With power turned on, press to turn on low heat. Low heat must be on to use high heat. 2. Press again to turn off low heat.	1. Heater and fan turn on low. 2. Low heat and fan turn off. Flame stays on.
HIGH HEAT	1. With power and low heat turned on, press to turn on high heat. Low heat must be on to use high heat. 2. Press again to turn off high heat.	1. Heater and fan turn on high. 2. High heat and fan turn off. Low heat and flame stay on.

Temperature Limiting Control

This heater is equipped with a Temperature Limiting Control. Should the heater reach an unsafe temperature, the heater will automatically turn OFF. To reset:

1. Unplug the power cord from the outlet.
2. Turn the ON/OFF switch on the CONTROL PANEL to OFF.
3. Wait 10 minutes.
4. Inspect the fireplace to make sure no vents are blocked, or clogged with dust or lint. If they are, use a vacuum to clean the vent areas.
5. With the POWER switch in the OFF position, plug the power cord back into the outlet.
6. If the problem continues, have your outlet and wiring inspected by a professional.

LED Light strip Inspection and Replacement



CLEANING

- All brass parts are lacquered and can be cleaned by simply using a soft cloth. Do not use abrasive material.
- Clean the air vents with a vacuum cleaner.
- Do not immerse the power cord or the plug in water or any liquids.

TECHNICAL DATA:

Operating voltage: AC 220-240V, 50Hz

Power consumption: 1750-2000W



You can help protect the environment!

Please remember to respect the local regulations: hand in the non-working electrical equipment to an appropriate waste disposal centre.

RETURN / DAMAGE CLAIM INSTRUCTIONS

1. **DO NOT** discard of the box / original packaging.

In case a return is required, the item must be returned in original box. Without this your return will not be accepted.

2. Take a photo of the box markings.

A photo of the markings (text) on the box is required in case a part is needed for replacement. This helps our staff identify your product number to ensure you receive the correct parts.

3. Take a photo / Video of Damage (if applicable).

A photo /Video of the damage is always required to file a claim and get your replacement or refund processed quickly. Please make sure you have the box even if it is damaged.

4. Send us an email with the images requested.

Email us directly with the attached images, order number (SOXXXX) and a description of your claim.

Auckland / Waikato / BOP Branch: sales@tsbliving.co.nz

Christchurch Branch: customersupport@tsbliving.co.nz

Wellington Branch: wellington@tsbliving.co.nz